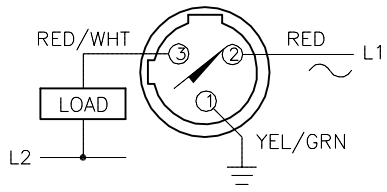


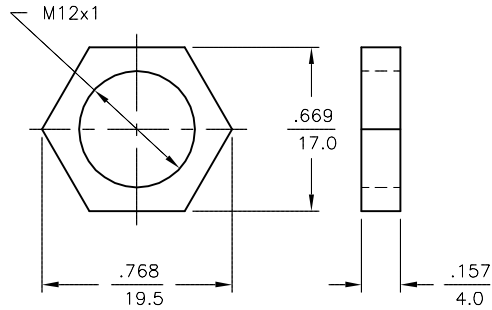
WIRING DIAGRAM



OUTPUT: AZ33X

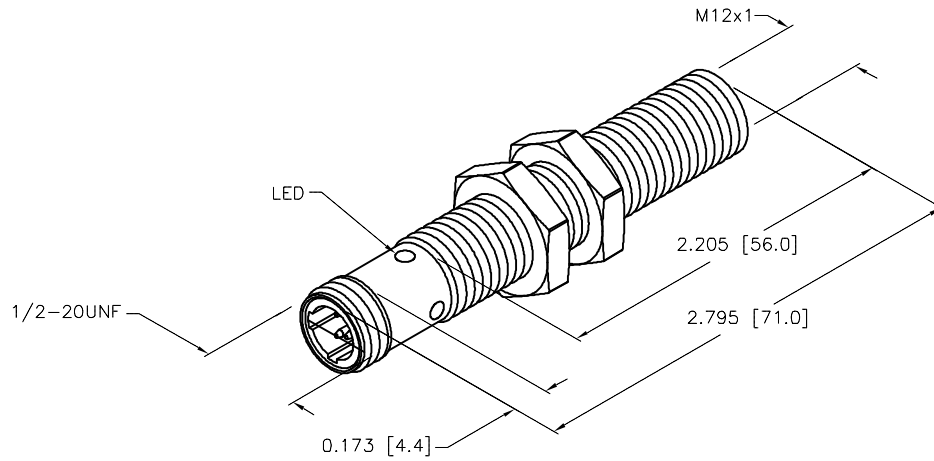
WARNING: NO SHORT-CIRCUIT PROTECTION.
ALWAYS WIRE A LOAD IN SERIES WITH THE SENSOR.

LOCKNUT LN-M12



SPECIFICATIONS

RATED OPERATING DISTANCE	2.0mm = .079"
MOUNTING MODE	FLUSH
TEMPERATURE DRIFT	≤±10%
HYSTERESIS	3-15%
MIN. REPEAT ACCURACY	≤2%
OPERATING TEMPERATURE	-25°C to +70°C (-13°F to +158°F)
RATED OPERATIONAL VOLTAGE	20-250 VAC/10-300 VDC
RESIDUAL RIPPLE	≤10%
RATED OPERATIONAL CURRENT	≤100 mA
RESIDUAL CURRENT	≤1.7 mA
RATED INSULATION VOLTAGE	≤0.5 kV
SHORT-CIRCUIT PROTECTION	NO
MAX. VOLTAGE DROP	≤6 V
MIN. OPERATIONAL CURRENT	≥3 mA
LINE FREQUENCY	40-60 Hz
MAX. SWITCHING FREQUENCY	≤0.2 kHz
OUTPUT FUNCTION	2-WIRE, NORMALLY OPEN, SELF CONTAINED
HOUSING MATERIAL	BRASS/CHROME-PLATED
ACTIVE FACE MATERIAL	PLASTIC, PA12-GF30
CONNECTION	1/2-20UNF
VIBRATION RESISTANCE	55 Hz (IN ALL 3 PLANES)
SHOCK RESISTANCE	30 g, 11 ms
DEGREE OF PROTECTION	IP 67
LED FUNCTION	RED: OUTPUT ENERGIZED



SOURCE DRAWING - FOR REFERENCE ONLY

RELATED DOCUMENTS		3RD ANGLE PROJECTION	THIS DRAWING IS CONFIDENTIAL AND THE PROPERTY OF TURCK INC. USE OF THIS DOCUMENT WITHOUT WRITTEN PERMISSION IS PROHIBITED.		3000 CAMPUS DRIVE MINNEAPOLIS, MN 55441 1-800-544-7769 (763) 553-7300 (763) 553-0708 fax turck.com		
1.				TURCK INC High Technology Sensors and Automation Controls		DESCRIPTION BI 2-G12-AZ33X-B3131	
2.		ALL DIMENSIONS DISPLAYED ON THIS DRAWING ARE FOR REFERENCE ONLY		DRFT	SWC	DATE	8/2/94
3.			CONTACT TURCK FOR MORE INFORMATION	APVD		SCALE	1=1.0
4.		UNIT OF MEASUREMENT INCH [MILLIMETER]		IDENTIFICATION NO. T1304032		REV H	
MATERIAL SEE SPECS			DO NOT SCALE THIS DRAWING		FILE: T1304032		SHEET 1 OF 1
FINISH SEE SPECS							

H	UPDATED SPECIFICATIONS	TV	07/23/15	50846
REV	DESCRIPTION	BY	DATE	ECO NO.