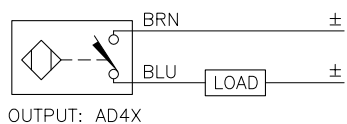
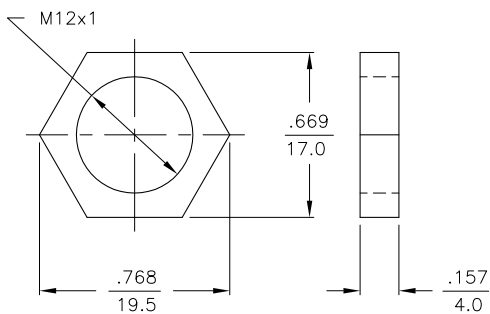


WIRING DIAGRAM



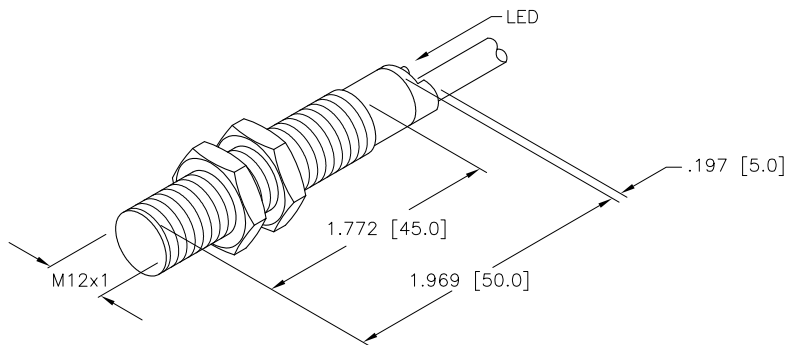
SHORT-CIRCUIT AND OVERLOAD PROTECTED

LOCKNUT LN-M12



SPECIFICATIONS

OPERATING VOLTAGE	10-65 VDC
RIPPLE	≤ 10%
HYSTERESIS (DIFFERENTIAL TRAVEL)	3-15% (5% TYPICAL)
VOLTAGE DROP ACROSS CONDUCTING SENSOR	≤ 5.0 V at 100 mA
OUTPUT FUNCTION	NORMALLY OPEN 2-WIRE DC SELF-CONTAINED
TTL COMPATIBLE	NO
SHORT-CIRCUIT PROTECTED	YES
TRIGGER CURRENT FOR OVERLOAD PROTECTION	≥ 120 mA
MAXIMUM LOAD CURRENT	≤ 100 mA
MINIMUM LOAD CURRENT	≥ 3.0 mA
LEAKAGE (OFF-STATE) CURRENT	≤ 0.8 mA
TIME DELAY BEFORE AVAILABILITY	≤ 10 ms
POWER-ON EFFECT PROTECTION	INCORPORATED
PROTECTION AGAINST TRANSIENTS	PER EN 60947-5-2
OPERATING TEMPERATURE	-25°C to +70°C (-13°F to +158°F)
ENCLOSURE	MEETS NEMA 1, 3, 4, 6, 13 AND IEC IP67
SHOCK	30 g, 11 ms
VIBRATION	55 Hz, 1 mm AMPLITUDE (IN ALL 3 PLANES)
LED FUNCTION	YELLOW: OUTPUT ENERGIZED
SENSING RANGE	2 mm = .079" (NOMINAL)
SWITCHING FREQUENCY	1000 Hz
REPEATABILITY	≤ 2% of NOMINAL SENSING RANGE
SHIELDED	YES



SOURCE DRAWING - FOR REFERENCE ONLY

NOTE:

1. ALL TOLERANCES ±1.0 mm.
2. THIS SENSOR MAY BE USED AS A SINKING OR SOURCING DEVICE.

RELATED DOCUMENTS 1. 2. 3. 4.	3RD ANGLE PROJECTION 	THIS DRAWING IS PROPERTY OF TURCK INC. USE OF THIS DOCUMENT WITHOUT WRITTEN PERMISSION IS PROHIBITED.		3000 CAMPUS DRIVE MINNEAPOLIS, MN 55441 1-800-544-7769 (763) 553-7300 (763) 553-0708 fax turck.com	
	MATERIAL BRASS BARREL	ALL DIMENSIONS DISPLAYED ON THIS DRAWING ARE FOR REFERENCE ONLY CONTACT TURCK FOR MORE INFORMATION	DRFT CBM DATE 04/24/00	DESCRIPTION Bi 2-M12-AD4X	
FINISH COPPER/NICKEL/ CHROME PLATING	DSGN SCALE NONE		UNIT OF MEASUREMENT INCH [MILLIMETER]		IDENTIFICATION NO. T4405000
C UPDATE HOUSING STYLE, LED COLOR REV DESCRIPTION	CBM 04/24/00 BY DATE ECO NO.	DO NOT SCALE THIS DRAWING		FILE: T4405000	SHEET 1 OF 1

TURCK INC
High Technology Sensors and Automation Controls