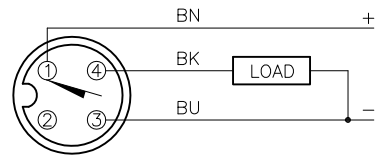


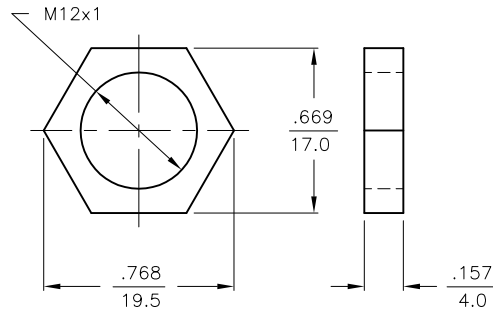
WIRING DIAGRAM



OUTPUT: AP6X

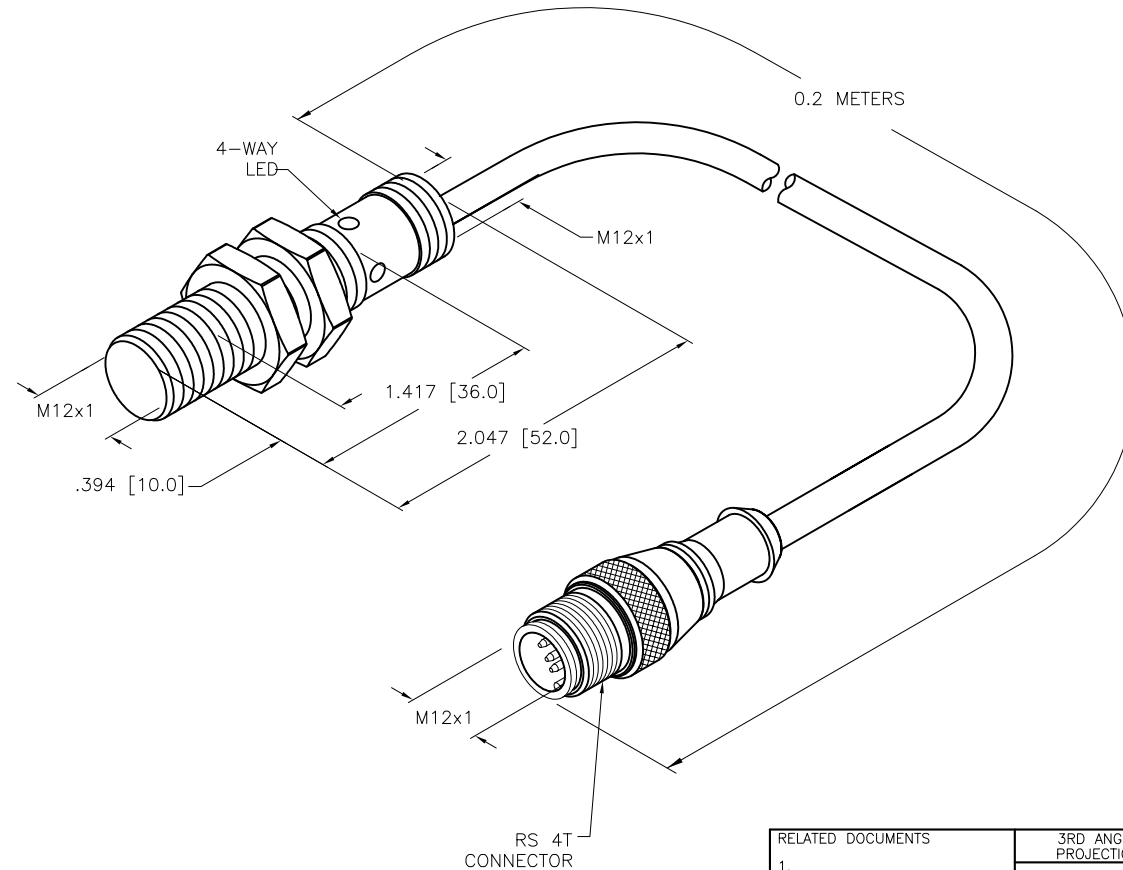
SHORT-CIRCUIT AND OVERLOAD PROTECTED

LOCKNUT LN-SS12



SPECIFICATIONS

RATED OPERATING DISTANCE	4mm = .158"
MOUNTING MODE	FLUSH
MIN. REPEAT ACCURACY	≤ 2%
TEMPERATURE DRIFT	≤ ±10% ≤ ±20%, ≤ -25°C, ≥ +70°C
HYSTERESIS	3-15%
OPERATING TEMPERATURE	-40°C to +100°C (-40°F to +212°F)
RATED OPERATIONAL VOLTAGE	10-30 VDC
RESIDUAL RIPPLE	≤ 10%
RATED OPERATIONAL CURRENT	≤ 200 mA
NO-LOAD CURRENT	≤ 15 mA
RESIDUAL CURRENT	≤ 0.1 mA
RATED INSULATION VOLTAGE	≤ 0.5 kV
SHORT-CIRCUIT PROTECTION	INCORPORATED
MAX. VOLTAGE DROP	≤ 1.8 V
WIRE BREAKAGE PROTECTION	INCORPORATED
REVERSE POLARITY PROTECTION	INCORPORATED
OUTPUT FUNCTION	3-WIRE, NORMALLY OPEN, PNP
MAX. SWITCHING FREQUENCY	≤ 2 kHz
HOUSING MATERIAL	METAL, AISI 316L
ACTIVE FACE	PLASTIC, LCP-GF30
CONNECTOR HOUSING MATERIAL	PLASTIC, PP, TRANSPARENT
CABLE	ø5.2, WHITE, PP
VIBRATION RESISTANCE	55 Hz, 1 mm AMPLITUDE (IN ALL 3 PLANES)
SHOCK RESISTANCE	30 g, 11 ms
DEGREE OF PROTECTION	IP68/IP69K
SWITCHING STATUS INDICATION	LED, YELLOW
M12 CONNECTOR MOLD MAT'L/COLOR	POLYPROPYLENE/WHITE



SOURCE DRAWING - FOR REFERENCE ONLY

RELATED DOCUMENTS 1. 2. 3. 4.	3RD ANGLE PROJECTION 	THIS DRAWING IS CONFIDENTIAL AND THE PROPERTY OF TURCK INC. USE OF THIS DOCUMENT WITHOUT WRITTEN PERMISSION IS PROHIBITED.		3000 CAMPUS DRIVE MINNEAPOLIS, MN 55441 1-800-544-7769 (763) 553-7300 (763) 553-0708 fax turck.com	
	MATERIAL SEE SPECS	DRFT RDS APVD A.F.	DATE 04/12/12 SCALE 1=1.0	DESCRIPTION BI 4U-EM12WD-AP6X-0.2M-RS 4T	
FINISH	ALL DIMENSIONS DISPLAYED ON THIS DRAWING ARE FOR REFERENCE ONLY	UNIT OF MEASUREMENT INCH [MILLIMETER]		IDENTIFICATION NO. M1634811-002	REV A
A DRAWING RELEASE	RDS 04/12/12	DO NOT SCALE THIS DRAWING		FILE: M1634811-002	SHEET 1 OF 1
REV DESCRIPTION	BY DATE ECO NO.				

A	DRAWING RELEASE	RDS	04/12/12	
REV	DESCRIPTION	BY	DATE	ECO NO.