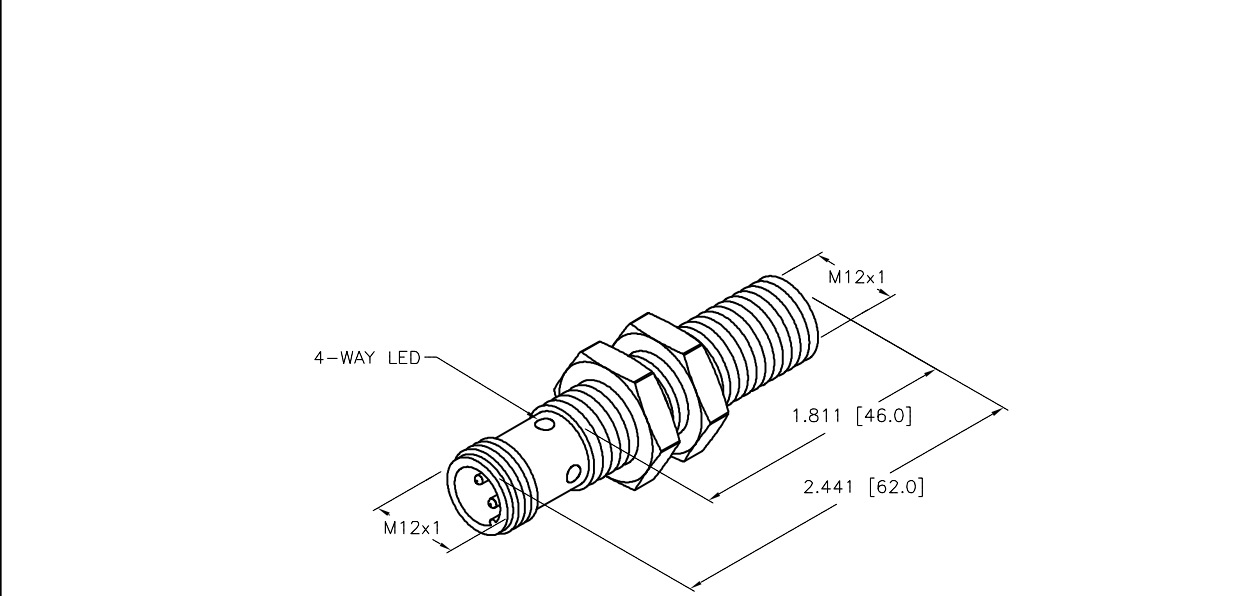


SPECIFICATIONS	
RATED OPERATING DISTANCE	90mm = 3.54"
HYSTERESIS	1-10%
TEMPERATURE DRIFT	BELOW $\leq \pm 15\%$ $\leq \pm 20\%$, $\leq -25^\circ\text{C}$
MIN. REPEAT ACCURACY	$\leq 0.3\%$
OPERATING TEMPERATURE	-25°C to $+70^\circ\text{C}$ (-13°F to $+158^\circ\text{F}$)
RATED OPERATIONAL VOLTAGE	10-65 VDC
RESIDUAL RIPPLE	$\leq 10\%$
DC RATED OPERATIONAL CURRENT	≤ 200 mA
NO-LOAD CURRENT	≤ 15 mA
RESIDUAL CURRENT	≤ 0.1 mA
MAX. SWITCHING FREQUENCY	≤ 1.0 kHz
RATED INSULATION VOLTAGE	≤ 0.5 kV
SHORT-CIRCUIT PROTECTED	YES
MAX. VOLTAGE DROP	≤ 1.8 V
REVERSE POLARITY PROTECTION	INCORPORATED
WIRE-BREAK PROTECTION	INCORPORATED
OUTPUT FUNCTION	NORMALLY OPEN, 3-WIRE, PNP
HOUSING MATERIAL	SST
ACTIVE FACE MATERIAL	PLASTIC, PA12-GF30
CONNECTION	M12x1
SHOCK	30 g, 11 ms
VIBRATION	55 Hz, 1 mm AMPLITUDE (IN ALL 3 PLANES)
DEGREE OF PROTECTION	IP67
SWITCHING STATUS INDICATION	LED: YELLOW



SOURCE DRAWING - FOR REFERENCE ONLY

RELATED DOCUMENTS		3RD ANGLE PROJECTION		THIS DRAWING IS CONFIDENTIAL AND THE PROPERTY OF TURCK INC. USE OF THIS DOCUMENT WITHOUT WRITTEN PERMISSION IS PROHIBITED.		 TURCK INC <i>High Technology Sensors and Automation Controls</i>		3000 CAMPUS DRIVE MINNEAPOLIS, MN 55441 1-800-544-7769 (763) 553-7300 (763) 553-0708 fax turck.com	
1.				DRFT	RDS	DATE	10/27/03	DESCRIPTION BIM-EM12E-AP4X-H1141	
2.				APVD		SCALE	1=1.0		
3.		ALL DIMENSIONS DISPLAYED ON THIS DRAWING ARE FOR REFERENCE ONLY		UNIT OF MEASUREMENT		IDENTIFICATION NO. M1579915		REV B	
4.				INCH [MILLIMETER]					
MATERIAL		CONTACT TURCK FOR MORE INFORMATION		DO NOT SCALE THIS DRAWING		FILE: M1579915		SHEET 1 OF 1	
SEE NOTES									
FINISH		SEE NOTES							

B	UPDATE FORMAT	NF	08/19/15	51210
REV	DESCRIPTION	BY	DATE	ECO NO.