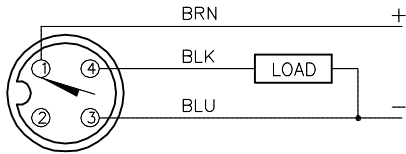


### WIRING DIAGRAM



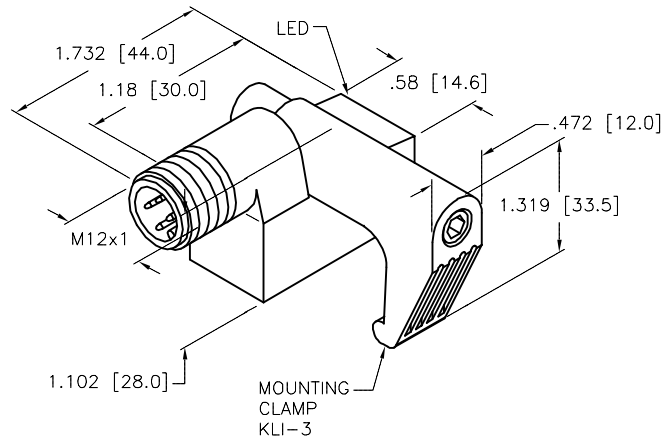
OUTPUT: AP6X

SHORT-CIRCUIT AND OVERLOAD PROTECTED

### BOTTOM VIEW



ACTIVE  
SENSING  
FACE



### SPECIFICATIONS

OPERATING VOLTAGE	10-30 VDC
RIPPLE	≤ 10%
HYSTERESIS (DIFFERENTIAL TRAVEL)	≤ 1 mm
VOLTAGE DROP ACROSS CONDUCTING SENSOR	≤ 2.3 V at 200 mA
OUTPUT FUNCTION	NORMALLY OPEN 3-WIRE DC SELF-CONTAINED
TTL COMPATIBLE	NO
SHORT-CIRCUIT PROTECTED	YES
TRIGGER CURRENT FOR OVERLOAD PROTECTION	≥ 220 mA
CONTINUOUS LOAD CURRENT	≤ 200 mA
LEAKAGE (OFF-STATE) CURRENT	≤ 10μ A
NO-LOAD CURRENT	≤ 2.0 mA
TIME DELAY BEFORE AVAILABILITY	≤ 5 ms
POWER-ON EFFECT PROTECTION	INCORPORATED
POLARITY INVERSION PROTECTION	INCORPORATED
WIRE-BREAK PROTECTION	INCORPORATED
OPERATING TEMPERATURE	-25°C to +70°C (-13°F to +158°F)
ENCLOSURE	MEETS NEMA 1, 3, 4, 6, 13 AND IEC IP67
SHOCK	30 g, 11 ms
VIBRATION	55 Hz, 1 mm AMPLITUDE (IN ALL 3 PLANES)
LED FUNCTION	RED: OUTPUT ENERGIZED
SWITCHING FREQUENCY	1000 Hz
REPEATABILITY	≤ 0.1 mm (CONSTANT TEMPERATURE AND VOLTAGE)
TEMPERATURE DRIFT	≤ 0.1 mm
MAXIMUM APPROACH VELOCITY	≤ 10 m/second
MAGNETIC ACTUATION STRENGTH	20-350 GAUSS (2-35 mT)

SOURCE DRAWING - FOR REFERENCE ONLY

NOTES:

1. MOUNTING CLAMP KLI-3 INCLUDED WITH SENSOR.

RELATED DOCUMENTS 1. 2. 3. 4.	3RD ANGLE PROJECTION 	THIS DRAWING IS CONFIDENTIAL AND THE PROPERTY OF TURCK INC. USE OF THIS DOCUMENT WITHOUT WRITTEN PERMISSION IS PROHIBITED.		<b>TURCK INC</b> <i>High Technology Sensors and Automation Controls</i> 3000 CAMPUS DRIVE MINNEAPOLIS, MN 55441 1-800-544-7769 (763) 553-7300 (763) 553-0708 fax turck.com	
	MATERIAL DIE CAST ZINC	DRFT GMB DATE 4/8/91	DESCRIPTION BIM-IKE-AP6X-H1141 W/KLI-3		REV C
FINISH	ALL DIMENSIONS DISPLAYED ON THIS DRAWING ARE FOR REFERENCE ONLY	DSGN	SCALE NONE	IDENTIFICATION NO. S4621690	FILE: S4621690
CONTACT TURCK FOR MORE INFORMATION		UNIT OF MEASUREMENT <b>INCH [ MILLIMETER ]</b>		DO NOT SCALE THIS DRAWING	
C	UPDATE WIRING DIAGRAM	RDS	04/30/09	26189	
REV	DESCRIPTION	BY	DATE	ECO NO.	SHEET 1 OF 1