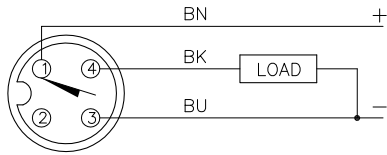


WIRING DIAGRAM



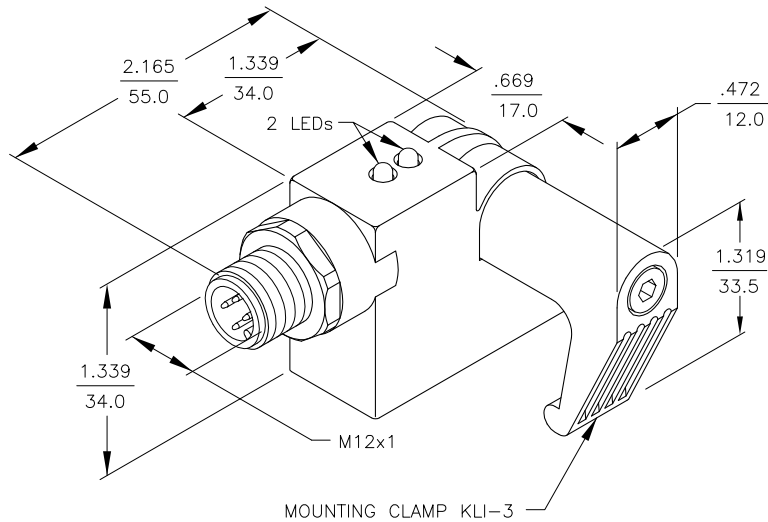
OUTPUT: AP6X2

SHORT-CIRCUIT AND OVERLOAD PROTECTED

BOTTOM VIEW



ACTIVE SENSING FACE



SPECIFICATIONS

OPERATING VOLTAGE	10-30 VDC
RIPPLE	≤ 10%
DIFFERENTIAL TRAVEL (HYSTERESIS)	≤ 1 mm
VOLTAGE DROP ACROSS CONDUCTING SENSOR	≤ 2.5 V at 200 mA
OUTPUT FUNCTION	NORMALLY OPEN 3-WIRE DC SELF-CONTAINED
TTL COMPATIBLE	NO
SHORT-CIRCUIT PROTECTED	YES
TRIGGER CURRENT FOR OVERLOAD PROTECTION	≥ 220 mA
CONTINUOUS LOAD CURRENT	≤ 200 mA
OFF-STATE (LEAKAGE) CURRENT	< 10µ A
NO-LOAD CURRENT	3.0-10.0 mA
TIME DELAY BEFORE AVAILABILITY	≤ 35 ms
POWER-ON EFFECT PROTECTION	INCORPORATED
REVERSE POLARITY PROTECTION	INCORPORATED
WIRE-BREAK PROTECTION	INCORPORATED
TRANSIENT PROTECTION	2 kV, 1 ms, 1 kΩ
OPERATING TEMPERATURE	-25°C to +70°C (-13°F to +158°F)
ENCLOSURE	MEETS NEMA 1, 3, 4, 6, 13 AND IEC IP67
SHOCK	30 g, 11 ms
VIBRATION	55 Hz, 1 mm AMPLITUDE (IN ALL 3 PLANES)
LED FUNCTION	GREEN: POWER ON YELLOW: OUTPUT ENERGIZED
SWITCHING FREQUENCY	20 Hz
REPEATABILITY	≤ 0.1 mm (CONSTANT TEMPERATURE AND VOLTAGE)
TEMPERATURE DRIFT	≤ 0.1 mm
MAXIMUM APPROACH VELOCITY	≤ 1 m/second
MAGNETIC ACTUATION STRENGTH	20-350 GAUSS (2-35 mT)

NOTES:

1. "/S34" DESIGNATES WELD FIELD IMMUNITY. SENSOR IS SUITABLE FOR USE ON RESISTANCE WELDING MACHINES.
2. MOUNTING CLAMP KLI-3 INCLUDED WITH SENSOR.

RELATED DOCUMENTS 1. 2. 3. 4.	3RD ANGLE PROJECTION 	THIS DRAWING IS PROPERTY OF TURCK INC. USE OF THIS DOCUMENT WITHOUT WRITTEN PERMISSION IS PROHIBITED.		3000 CAMPUS DRIVE MINNEAPOLIS, MN 55441 1-800-544-7769 (763) 553-7300 (763) 553-0708 fax turck.com	
	MATERIAL DIE CAST ZINC	DRFT GMB DSGN	DATE 1/4/90 SCALE NONE	DESCRIPTION BIM-1KM-AP6X2-H1141/S34	
FINISH	ALL DIMENSIONS DISPLAYED ON THIS DRAWING ARE FOR REFERENCE ONLY	UNIT OF MEASUREMENT INCH [MILLIMETER]		IDENTIFICATION NO. M4627290	REV C
C	UPDATE TO CURRENT TITLE BLOCK	RDS	09/13/02	5504	
REV	DESCRIPTION	BY	DATE	ECO NO.	
				DO NOT SCALE THIS DRAWING	FILE: M4627290
					SHEET 1 OF 1