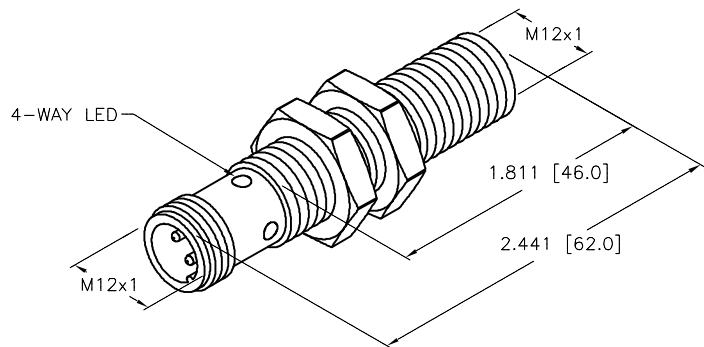


SPECIFICATIONS	
RATED OPERATING DISTANCE	90mm = 3.54"
HYSTERESIS	1-10%
TEMPERATURE DRIFT OVER TEMPERATURE DRIFT UNDER	UNDER $\leq \pm 15\%$ $\leq \pm 20\%$ , $\leq -25^\circ\text{C}$
MIN. REPEAT ACCURACY	$\leq 0.3\%$
OPERATING TEMPERATURE	$-25^\circ\text{C}$ to $+70^\circ\text{C}$ ( $-13^\circ\text{F}$ to $+158^\circ\text{F}$ )
RATED OPERATIONAL VOLTAGE	10-65 VDC
RESIDUAL RIPPLE	$\leq 10\%$
DC RATED OPERATIONAL CURRENT	$\leq 200$ mA
NO-LOAD CURRENT	$\leq 15$ mA
RESIDUAL CURRENT	$\leq 0.1$ mA
MAX. SWITCHING FREQUENCY	$\leq 1.0$ kHz
RATED INSULATION VOLTAGE	$\leq 0.5$ kV
SHORT-CIRCUIT PROTECTED	YES
MAX. VOLTAGE DROP	$\leq 1.8$ V
REVERSE POLARITY PROTECTION	INCORPORATED
WIRE-BREAK PROTECTION	INCORPORATED
OUTPUT FUNCTION	NORMALLY OPEN, 3-WIRE, PNP
HOUSING MATERIAL	METAL, BRASS/CHROME-PLATED
ACTIVE FACE MATERIAL	PLASTIC, PA12-GF30
CONNECTION	M12x1
SHOCK	30 g, 11 ms
VIBRATION	55 Hz, 1 mm AMPLITUDE (IN ALL 3 PLANES)
DEGREE OF PROTECTION	IP67
SWITCHING STATUS INDICATION	LED: YELLOW



SOURCE DRAWING - FOR REFERENCE ONLY

RELATED DOCUMENTS 1. 2. 3. 4.	3RD ANGLE PROJECTION 	THIS DRAWING IS CONFIDENTIAL AND THE PROPERTY OF TURCK INC. USE OF THIS DOCUMENT WITHOUT WRITTEN PERMISSION IS PROHIBITED.	<b>TURCK INC</b> <i>High Technology Sensors and Automation Controls</i> 3000 CAMPUS DRIVE MINNEAPOLIS, MN 55441 1-800-544-7769 (763) 553-7300 (763) 553-0708 fax turck.com
	MATERIAL SEE NOTES	DRFT JBJ DATE 12/19/02 APVD SCALE 1=1.0	DESCRIPTION BIM-M12E-AP4X-H1141
FINISH SEE NOTES	ALL DIMENSIONS DISPLAYED ON THIS DRAWING ARE FOR REFERENCE ONLY  CONTACT TURCK FOR MORE INFORMATION	IDENTIFICATION NO. M1579913	REV B
DO NOT SCALE THIS DRAWING		FILE: M1579913	SHEET 1 OF 1

B	UPDATE FORMAT	NF	08/19/15	51210
REV	DESCRIPTION	BY	DATE	ECO NO.