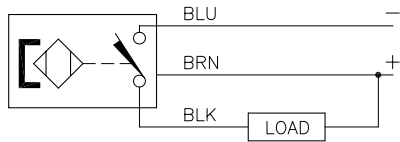
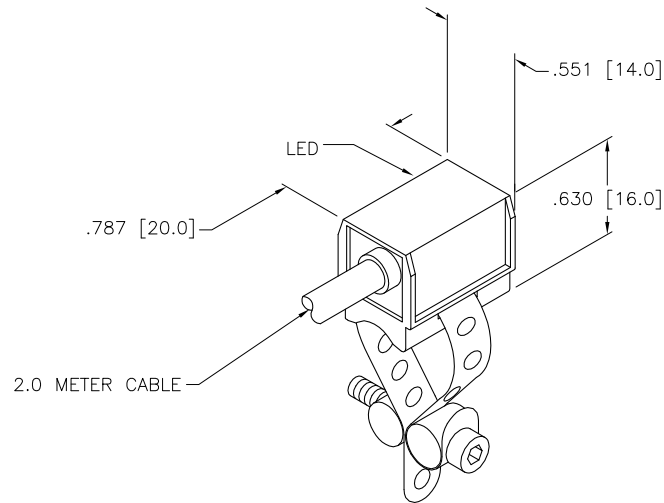


WIRING DIAGRAM



OUTPUT: AN6X

SHORT-CIRCUIT AND OVERLOAD PROTECTED



SPECIFICATIONS

OPERATING VOLTAGE	10-30 VDC (SHORT-CIRCUIT PROTECTED)
RIPPLE	≤ 10%
HYSTERESIS (DIFFERENTIAL TRAVEL)	≤ 1 mm
VOLTAGE DROP ACROSS CONDUCTING SENSOR	≤ 2.3 V at 120 mA
OUTPUT FUNCTION	NORMALLY OPEN 3-WIRE DC SELF-CONTAINED
TTL COMPATIBLE	NO
SHORT-CIRCUIT PROTECTED	YES
TRIGGER CURRENT FOR OVERLOAD PROTECTION	≥ 150 mA
CONTINUOUS LOAD CURRENT	≤ 120 mA
LEAKAGE (OFF-STATE) CURRENT	< 10μ A
NO-LOAD CURRENT	≤ 2.0 mA
TIME DELAY BEFORE AVAILABILITY	≤ 5 ms
POWER-ON EFFECT PROTECTION	INCORPORATED
POLARITY INVERSION PROTECTION	INCORPORATED
WIRE-BREAK PROTECTION	INCORPORATED
OPERATING TEMPERATURE	-25°C to +70°C (-13°F to +158°F)
ENCLOSURE	MEETS NEMA 1, 3, 4, 6, 13 AND IEC IP67
SHOCK	30 g, 11 ms
VIBRATION	55 Hz, 1 mm AMPLITUDE (IN ALL 3 PLANES)
LED FUNCTION	YELLOW: OUTPUT ENERGIZED
SWITCHING FREQUENCY	1000 Hz
REPEATABILITY	≤ 0.1 mm (CONSTANT TEMPERATURE AND VOLTAGE)
TEMPERATURE DRIFT	≤ 0.1 mm
MAXIMUM APPROACH VELOCITY	10 m/second
MAGNETIC ACTUATION STRENGTH	20-350 GAUSS (2-35 mT)

NOTES:

1. MOUNTING BAND KLP-80 INCLUDED WITH SENSOR.
2. FOR CYLINDERS WITH DIAMETER OF 8 TO 80 mm.

RELATED DOCUMENTS		3RD ANGLE PROJECTION		THIS DRAWING IS PROPERTY OF TURCK INC. USE OF THIS DOCUMENT WITHOUT WRITTEN PERMISSION IS PROHIBITED.		 3000 CAMPUS DRIVE MINNEAPOLIS, MN 55441 1-800-544-7769 (763) 553-7300 (763) 553-0708 fax turck.com	
1. 2. 3. 4.				DRFT	GMB	DATE	8/21/89
MATERIAL		ALL DIMENSIONS DISPLAYED ON THIS DRAWING ARE FOR REFERENCE ONLY		DSGN		SCALE	1=1.0
PA 12-GF30				UNIT OF MEASUREMENT		DESCRIPTION	
FINISH		CONTACT TURCK FOR MORE INFORMATION		INCH [MILLIMETER]		BIM-PST-AN6X	
				IDENTIFICATION NO.		REV	
				S4624191		C	
C CHANGE LED COLOR TO YELLOW		RDS	12/16/04	12420		FILE: S4624191	
REV	DESCRIPTION	BY	DATE	ECO NO.		SHEET 1 OF 1	

C	CHANGE LED COLOR TO YELLOW	RDS	12/16/04	12420
REV	DESCRIPTION	BY	DATE	ECO NO.