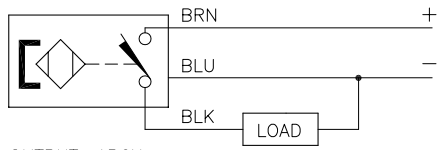


WIRING DIAGRAM

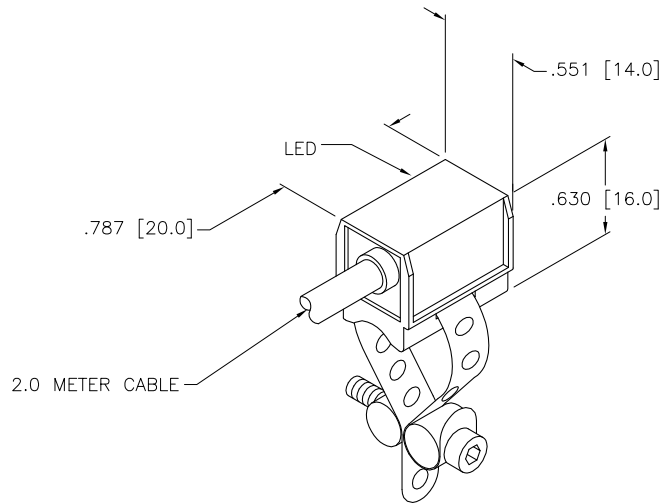


OUTPUT: AP6X

SHORT-CIRCUIT AND OVERLOAD PROTECTED

SPECIFICATIONS

PASS SPEED	≤ 10 m/s
REPEATABILITY	≥ ±0.1mm
TEMPERATURE DRIFT	≤ 0.1mm
HYSTERESIS	≤ 1mm
OPERATING TEMPERATURE	-25°C to +70°C (-13°F to +158°F)
RATED OPERATIONAL VOLTAGE	10-30 VDC
RESIDUAL RIPPLE	≤ 10%
DC RATED OPERATIONAL CURRENT	≤ 200 mA
NO-LOAD CURRENT	≤ 15 mA
RESIDUAL CURRENT	≤ 0.1 mA
RATED INSULATION VOLTAGE	≤ 0.5 kV
SHORT-CIRCUIT PROTECTION	YES, CYCLIC
MAX. VOLTAGE DROP	≤ 1.8 V
WIRE BREAKAGE PROTECTION	INCORPORATED
REVERSE POLARITY PROTECTION	INCORPORATED
OUTPUT FUNCTION	NORMALLY OPEN, 3-WIRE, PNP
MAX. SWITCHING FREQUENCY	≤ 1.0 kHz
HOUSING MATERIAL	PLASTIC, PA12-GF30
ACTIVE FACE MATERIAL	PLASTIC, PA12-GF30
CABLE	ø4.0, LifYY, PVC/GREY
VIBRATION	55 Hz, 1 mm AMPLITUDE (IN ALL 3 PLANES)
SHOCK	30 g, 11 ms
DEGREE OF PROTECTION	IP67
SWITCHING STATUS INDICATION	LED, YELLOW
INCLUDED IN SCOPE OF SUPPLY	CABLE CLIP



NOTES:

1. "W/KLP-80" DESIGNATES MOUNTING BAND KLP-80 INCLUDED WITH SENSOR.
2. FOR CYLINDERS WITH DIAMETER OF 8 TO 80 mm.

SOURCE DRAWING - FOR REFERENCE ONLY

RELATED DOCUMENTS		3RD ANGLE PROJECTION		THIS DRAWING IS PROPERTY OF TURCK INC. USE OF THIS DOCUMENT WITHOUT WRITTEN PERMISSION IS PROHIBITED.		 3000 CAMPUS DRIVE MINNEAPOLIS, MN 55441 1-800-544-7769 (763) 553-7300 (763) 553-0708 fax turck.com	
1. 2. 3. 4.				DRFT RDS	DATE 02/17/09	DESCRIPTION BIM-PST-AP6X W/KLP-80	
MATERIAL PA 12-GF30		ALL DIMENSIONS DISPLAYED ON THIS DRAWING ARE FOR REFERENCE ONLY		DGSN	SCALE 1=1.0	IDENTIFICATION NO. S4624090	
FINISH		CONTACT TURCK FOR MORE INFORMATION		UNIT OF MEASUREMENT INCH [MILLIMETER]		REV A	
A DRAWING RELEASE		RDS 02/17/09		DO NOT SCALE THIS DRAWING		FILE: S4624090	
REV	DESCRIPTION	BY	DATE	ECO NO.	SHEET 1 OF 1		

A	DRAWING RELEASE	RDS	02/17/09	
REV	DESCRIPTION	BY	DATE	ECO NO.