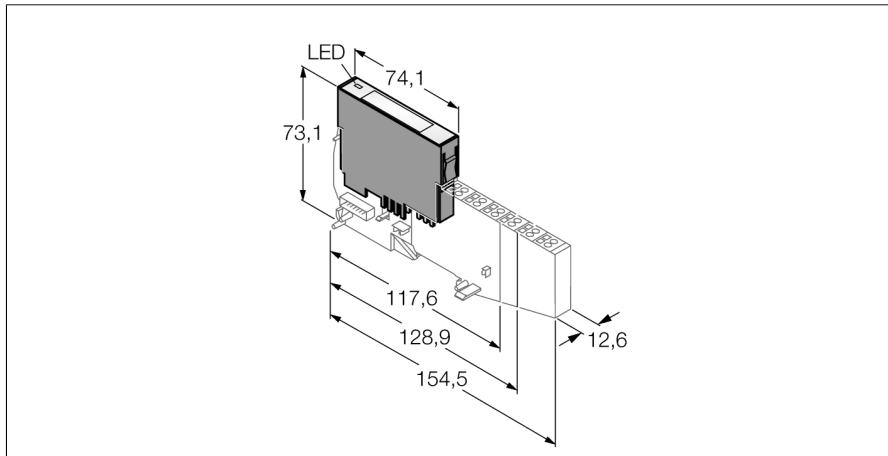


BL20 electronic module
2 analog inputs for temperature measurement
BL20-2AI-PT/Ni-2/3



- Fieldbus and connection technology independent
- Protection class IP20
- LEDs indicate status and diagnostic
- Electronics galvanically separated from the field level via optocouplers
- 2 analog inputs for PT100, PT500 and PT1000 as well as for Ni100 and Ni1000

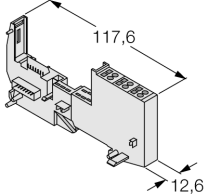
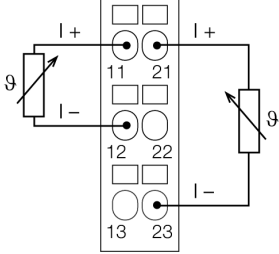
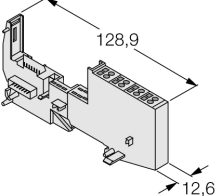
Functional principle

BL20 electronic modules are plugged into the purely passive base modules which are used for connection of field devices. Maintenance is significantly facilitated due to separation of the connection level from the module electronics. Furthermore flexibility is enhanced because the base modules provide a choice of tension spring or screw connection technology. The electronic modules are completely independent of the type of higher level field bus through the use of gateways.

Type	BL20-2AI-PT/Ni-2/3
Ident-No.	6827017
Number of channels	
Rated voltage from the supply terminal	24 VDC
Supply voltage	24 VDC
Rated current from field supply	≤ 30 mA
Rated current from module bus	≤ 45 mA
Power loss, typical	≤ 1 W
Inputs	
Input type	PT100, PT200, PT500, PT1000, Ni100, Ni1000
Electrical isolation	electronics for the field level
Connection technology	Screw, tension spring
Basic fault limit at 23 °C	
Repeatability	< 0.2 %
Temperature coefficient	0.05 %
Resolution	< 300 ppm/°C of full scale
Measured-value display	16 Bit
	16 bit signed integer
	12 bit full range left justified
Cycle time	≤ 200 ms
Measuring current	< 1 mA
Number of diagnostics bytes	
Number of parameter bytes	2
	4
Dimensions (W x L x H)	
Approvals	12.6x74.1x55.4mm
Operating temperature	CE, cULus, zone2, ClassI,div.2.
Storage temperature	0 to +55 °C
Relative humidity	-25 ... +85 °C
	5 to 95% (internal), Level RH-2, no condensation (at 45 °C storage)
Vibration test	acc. to EN 61131
Shock test	acc. to IEC 68-2-27
Drop and topple	acc. to IEC 68-2-31 and free fall to IEC 68-2-32
Electro-magnetic compatibility	acc. to EN 50,082-2
Protection class	IP20

BL20 electronic module
2 analog inputs for temperature measurement
BL20-2AI-PT/NI-2/3

Compatible base modules

Dimension drawing	Type	Pin configuration
	<p>BL20-S3T-SBB 6827044 tension spring connection</p> <p>BL20-S3S-SBB 6827045 screw connection</p>	<p>2-wire connection technology</p> 
	<p>BL20-S4T-SBBS 6827046 tension spring connection</p> <p>BL20-S4S-SBBS 6827047 screw connection</p>	<p>3-wire connection technology</p> 