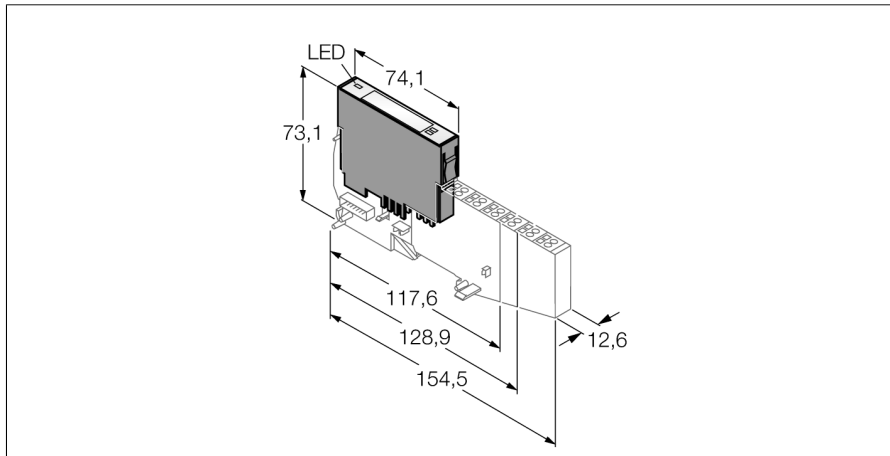


BL20 electronic module
relay module, 2 x change-over
BL20-2DO-R-CO



- Fieldbus and connection technology independent
- Protection class IP20
- LEDs indicate status and diagnostic
- Electronics galvanically separated from the field level via optocouplers
- 2 channels as changeover contact

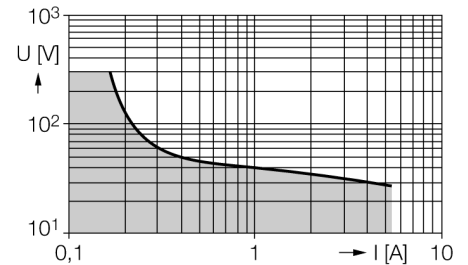
Functional principle

BL20 electronic modules are plugged into the purely passive base modules which are used for connection of field devices. Maintenance is significantly facilitated due to separation of the connection level from the module electronics. Furthermore flexibility is enhanced because the base modules provide a choice of tension spring or screw connection technology.

The electronic modules are completely independent of the type of higher level field bus through the use of gateways.

Load limit curve

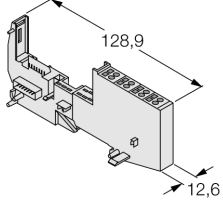
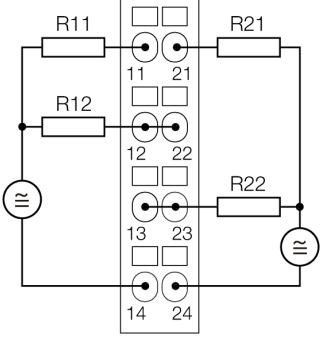
Definition: At 1000 switching cycles, a standing electric arc of > 10 ms may not occur.



Type	BL20-2DO-R-CO
Ident-No.	6827030
Ident-No (TUSA)	M6827030
Number of channels	2 changeover contacts, galvanically separated
Rated voltage from the supply terminal	24 VDC
Rated current from field supply	≤ 20 mA
Rated current from module bus	≤ 28 mA
Power loss, typical	≤ 1 W
Connection technology	Screw, tension spring
Outputs	
Load type	resistive, inductive, lamp load
Rated load voltage	230/30 VAC/DC
Simultaneity factor	1
Life at 230 VAC, 5A	100000
Life at 230 VAC, 0.5A	1000000
Output current with DC voltage (resistive)	see load limit curve
Electrical isolation	electronics for the field level
Dimensions (W x L x H)	12.6x74.1x55.4mm
Approvals	CE, cULus, zone2, ClassI,div.2.
Operating temperature	0 to +55 °C
Storage temperature	-25 ... +85 °C
Relative humidity	5 to 95% (internal), Level RH-2, no condensation (at 45 °C storage)
Vibration test	acc. to EN 61131
Shock test	acc. to IEC 68-2-27
Drop and topple	acc. to IEC 68-2-31 and free fall to IEC 68-2-32
Electro-magnetic compatibility	acc. to EN 50,082-2
Protection class	IP20

BL20 electronic module
relay module, 2 x change-over
BL20-2DO-R-CO

Compatible base modules

Dimension drawing	Type	Pin configuration
	<p>BL20-S4T-SBBS 6827046 tension spring connection</p> <p>BL20-S4S-SBBS 6827047 screw connection</p>	<p>Wiring diagram</p>  <p>module wiring diagram</p> 