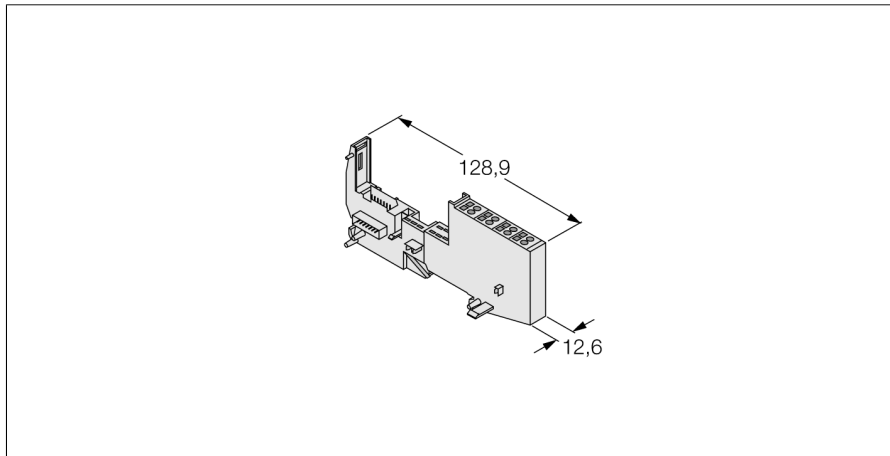


BL20 base module
screw connection technology
BL20-S4S-SBBS



- Passive connection components for sensors and actuators
- Quick replacement of electronics in wired state
- Mechanical coding prevents plugging of wrong electronic module
- Protection class IP20
- Screw connection
- Disc design

Type	BL20-S4S-SBBS
Ident-No.	6827047
Ident-No (TUSA)	M6827047
Protection class	IP20