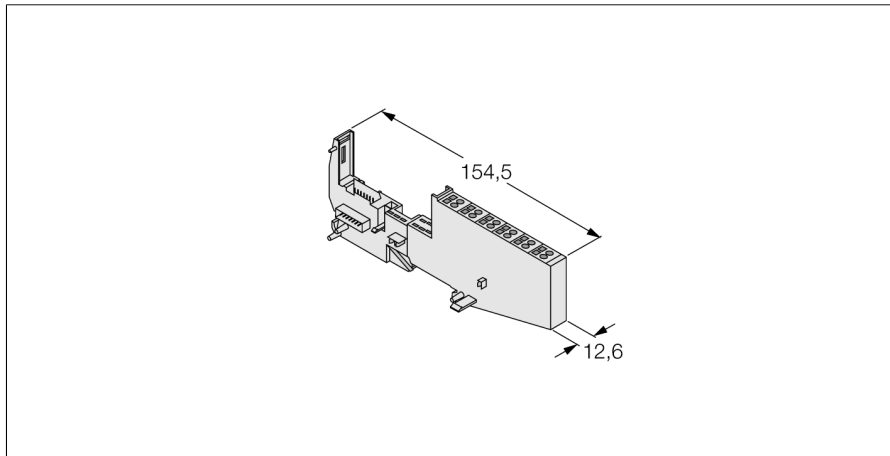


**BL20 base module  
screw connection technology  
BL20-S6S-SBBSBB**



- Passive connection components for sensors and actuators
- Quick replacement of electronics in wired state
- Mechanical coding prevents plugging of wrong electronic module
- Protection class IP20
- Screw connection
- Disc design

<b>Type</b>	BL20-S6S-SBBSBB
Ident-No.	6827053
Ident-No (TUSA)	M6827053
<b>Protection class</b>	IP20