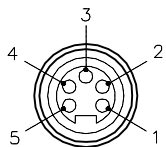
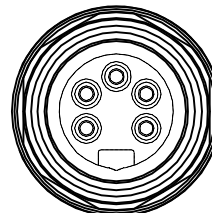
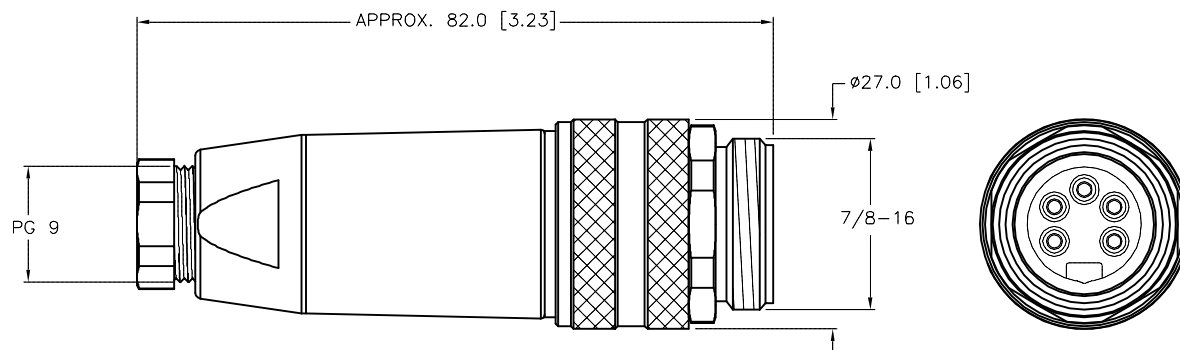


MALE END VIEW



SPECIFICATIONS

HOUSING MATERIAL/COLOR	GLASS FILLED NYLON/BLACK
CONTACT MATERIAL/PLATING	BRASS/GOLD
COUPLING NUT MATERIAL/PLATING	DIECAST ZINC/NICKEL
RATED CURRENT [A]	9.0 A
RATED VOLTAGE [V]	600 V
MAXIMUM WIRE SIZE	16 AWG
TERMINATION METHOD	SCREW TERMINAL
TEMPERATURE RATING	-40°C to +85°C (-40°F to +185°F)
PROTECTION CLASS	MEETS NEMA 1,3,4,6P AND IEC IP 67
CABLE GRIP RANGE	PG 9 = 6-8mm



SOURCE DRAWING - FOR REFERENCE ONLY

RELATED DOCUMENTS		3RD ANGLE PROJECTION	THIS DRAWING IS CONFIDENTIAL AND THE PROPERTY OF TURCK INC. USE OF THIS DOCUMENT WITHOUT WRITTEN PERMISSION IS PROHIBITED.		TURCK INC High Technology Sensors and Automation Controls 3000 CAMPUS DRIVE MINNEAPOLIS, MN 55441 1-800-544-7769 (763) 553-7300 (763) 553-0708 fax turck.com	
1.			ALL DIMENSIONS DISPLAYED ON THIS DRAWING ARE FOR REFERENCE ONLY	DRFT	RDS	DATE
2.		CONTACT TURCK FOR MORE INFORMATION		APVD		SCALE
3.			SEE SPECIFICATIONS	UNIT OF MEASUREMENT		DESCRIPTION
4.		SEE SPECIFICATIONS		MILLIMETER [INCH]		BS 4151-0/9
MATERIAL			SEE SPECIFICATIONS		IDENTIFICATION NO.	
FINISH		SEE SPECIFICATIONS		U6419		C
REV		DESCRIPTION		DO NOT SCALE THIS DRAWING		FILE: U6419
C	UPDATE RATED VOLTAGE	RDS	05/12/14	45608	SHEET 1 OF 1	
BY		DATE		ECO NO.		