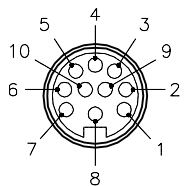
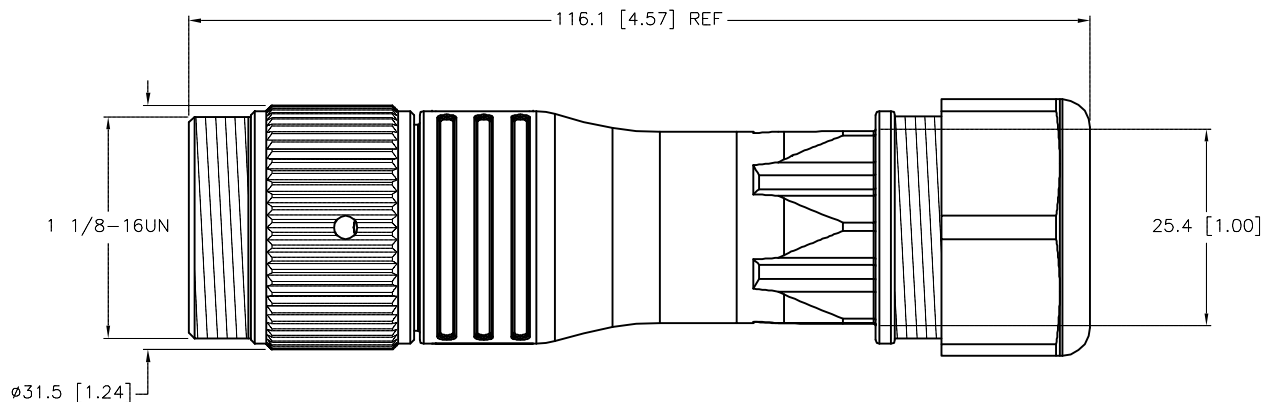
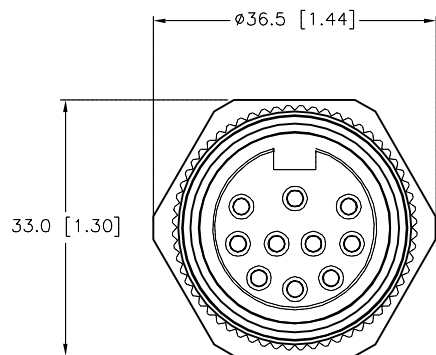


MALE END VIEW



SPECIFICATIONS

CONTACT CARRIER MATERIAL	NYLON
MOLDED HEAD MATERIAL/COLOR	NYLON/BLACK
CONTACT MATERIAL/PLATING	BRASS/GOLD
COUPLING NUT MATERIAL/PLATING	BRASS/NICKEL
RATED CURRENT [A]	7.0 A
RATED VOLTAGE [V]	600 V
CABLE RANGE	13-18mm DIAMETER
TEMPERATURE RATING	-40°C to +105°C (-40°F to +221°F)
PROTECTION CLASS	MEETS IEC IP67
MAX. CONDUCTOR SIZE	14 AWG



SOURCE DRAWING - FOR REFERENCE ONLY

RELATED DOCUMENTS		3RD ANGLE PROJECTION		THIS DRAWING IS CONFIDENTIAL AND THE PROPERTY OF TURCK INC. USE OF THIS DOCUMENT WITHOUT WRITTEN PERMISSION IS PROHIBITED.		TURCK INC High Technology Sensors and Automation Controls 3000 CAMPUS DRIVE MINNEAPOLIS, MN 55441 1-800-544-7769 (763) 553-7300 (763) 553-0708 fax turck.com	
1.			ALL DIMENSIONS DISPLAYED ON THIS DRAWING ARE FOR REFERENCE ONLY	DRFT	PJ	DATE	09/19/06
2.				APVD		SCALE	1=1.0
3.		UNIT OF MEASUREMENT		MILLIMETER [INCH]		IDENTIFICATION NO.	U2-04062
4.		CONTACT TURCK FOR MORE INFORMATION		DO NOT SCALE THIS DRAWING		REV	C
MATERIAL	SEE SPECIFICATIONS					FILE: U2-04062	SHEET 1 OF 1
FINISH	SEE SPECIFICATIONS						

C	ADD MAX. CONDUCTOR SIZE	RDS	04/15/15	49513
REV	DESCRIPTION	BY	DATE	ECO NO.