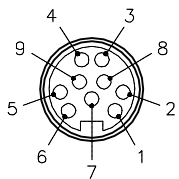
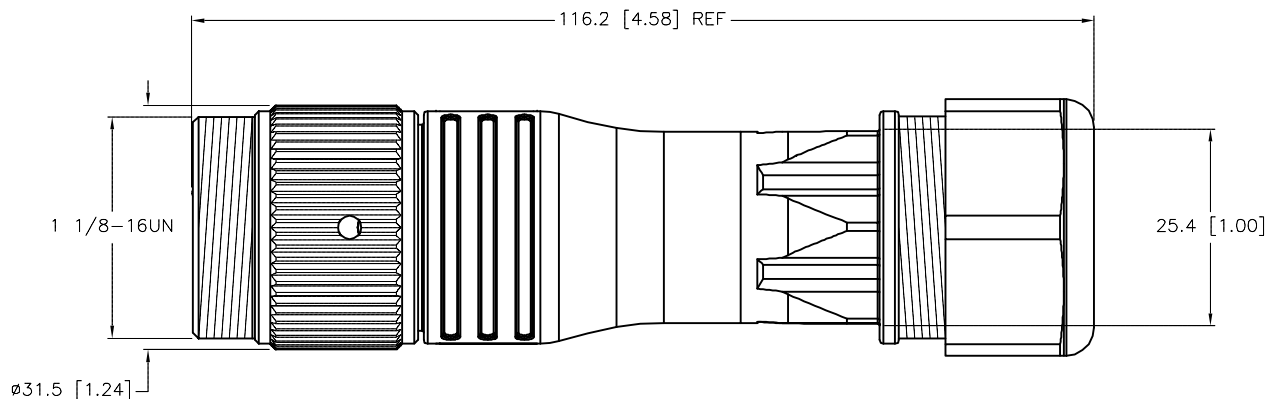
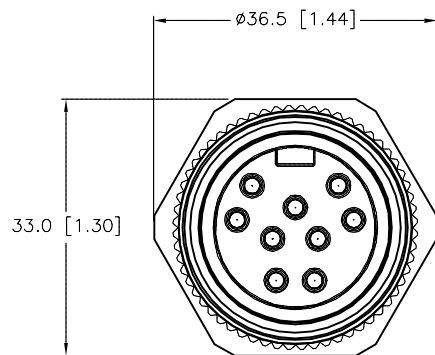


MALE END VIEW



SPECIFICATIONS

| | |
|-------------------------------|-----------------------------------|
| CONTACT CARRIER MATERIAL | NYLON |
| MOLDED HEAD MATERIAL/COLOR | NYLON/BLACK |
| CONTACT MATERIAL/PLATING | BRASS/GOLD |
| COUPLING NUT MATERIAL/PLATING | BRASS/NICKEL |
| RATED CURRENT [A] | 7.0 A |
| RATED VOLTAGE [V] | 600 V |
| CABLE RANGE | 13-18mm DIAMETER |
| TEMPERATURE RATING | -40°C to +105°C (-40°F to +221°F) |
| PROTECTION CLASS | MEETS IEC IP67 |
| MAX. CONDUCTOR SIZE | 14 AWG |



SOURCE DRAWING - FOR REFERENCE ONLY

| | | | | | | | |
|--------------------|--|------------------------------------|---|--|----|--|----------|
| RELATED DOCUMENTS | | 3RD ANGLE PROJECTION | | THIS DRAWING IS CONFIDENTIAL AND THE PROPERTY OF TURCK INC. USE OF THIS DOCUMENT WITHOUT WRITTEN PERMISSION IS PROHIBITED. | | TURCK INC High Technology Sensors and Automation Controls 3000 CAMPUS DRIVE MINNEAPOLIS, MN 55441 1-800-544-7769 (763) 553-7300 (763) 553-0708 fax turck.com | |
| 1. | | | ALL DIMENSIONS DISPLAYED ON THIS DRAWING ARE FOR REFERENCE ONLY | DRFT | PJ | DATE | 09/18/06 |
| 2. | | | | APVD | | SCALE | 1=1.0 |
| 3. | | MATERIAL | | UNIT OF MEASUREMENT | | IDENTIFICATION NO. | |
| 4. | | SEE SPECIFICATIONS | | MILLIMETER [INCH] | | REV | |
| FINISH | | CONTACT TURCK FOR MORE INFORMATION | | DO NOT SCALE THIS DRAWING | | C | |
| SEE SPECIFICATIONS | | | | | | U2-04064 | |
| SEE SPECIFICATIONS | | | | | | FILE: U2-04064 | |

| | | | | |
|-----|-------------------------|-----|----------|---------|
| C | ADD MAX. CONDUCTOR SIZE | RDS | 04/15/15 | 49513 |
| REV | DESCRIPTION | BY | DATE | ECO NO. |