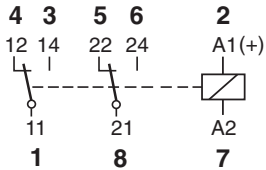
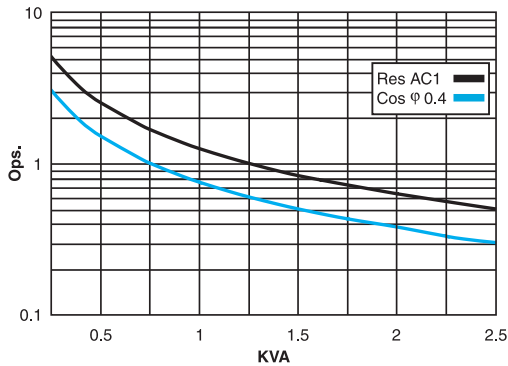


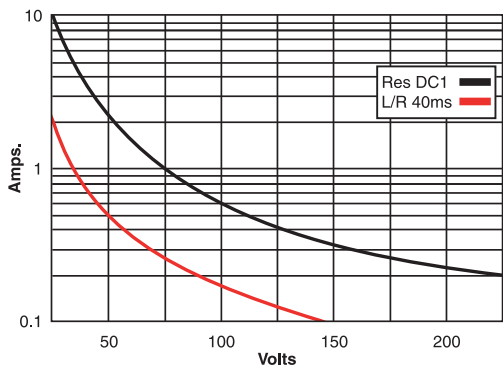
**Relay compatible with sockets:**  
S2-B, S2-S, S2-L, S2-PO



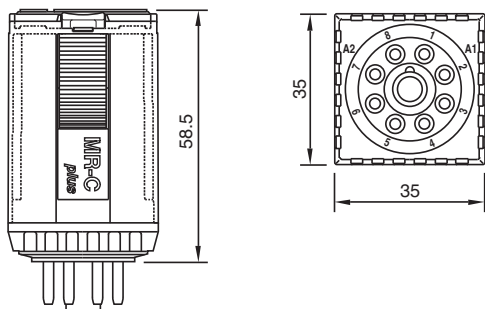
**Table 1** Electrical Life, ops. x 10<sup>6</sup>



**Table 2** Max. DC Load



**Dimensions - mm**



**C2-A20**



General purpose  
Two pole, change-over contacts

**10 A 250 V AC1      0.5 A 110 V DC1**  
**10 A 30 V DC1      0.2 A 220 V DC1**

**Contacts**

Materials: Standard, code 0      AgNi  
Optional, code 8      AgNi + 10µ Au  
Optional, code 9      AgNi + 0.2µ Au

Max. switching current      10 A  
Max. peak inrush current (20 ms)      30 A  
Max. switching voltage      250 V  
Max. AC load (Table 1)      2.5 KVA  
Max. DC load (Table 2)

**Coils** (Ohms ±10% @ 20°C)

Pull-in voltage      ≤0.8 x U<sub>n</sub>  
Drop-out voltage      ≥0.1 x U<sub>n</sub>  
Nominal coil power      2.2 VA (AC)/1.3 W (DC)

VAC	Ω	mA	VDC	Ω	mA
24	67	92	24	433	54
48	296	46	48	1K8	27
115	1K7	19	110	9K2	12
230	7K1	9.5	220	36K1	6

**Insulation**

Dielectric strength (1 minute): Open contacts      1,000 V  
Between adjacent poles      2.5 KV  
Between contacts and coil      2.5 KV  
Isolation resistance at 500 V      ≥1 GΩ  
Isolation, IEC 61810-5:      2.5 KV/3

**Specifications**

Operate time + bounce time      16 ms  
Release time + bounce time      8 ms  
Ambient temperature      -40°C (no ice) to +70°C  
Mechanical life ops.      10 Mill. AC, 20 Mill. DC relay  
Electrical life at nominal load      ≥100,000 ops.  
Operating frequency at nominal load      1,200/hour  
Protection degree      IP 40/RT1  
Weight avg.      90 g

**Standard Types**

AC 50 Hz, (60 Hz): 24, 48, 115, (120), 230, (240)  
X = LED (standard)      C2-A20X..... VAC  
RC suppressor      C2-A20R..... VAC

DC 24, 48, 110, 220  
X = LED, no polarity (standard)      C2-A20X..... VDC  
Free-wheeling diode      C2-A20DX .... VDC  
Polarity and free-wheeling diodes      C2-A20FX..... VDC  
AC/DC bridge rectifier (24, 48 or 60 V)      C2-A20BX .... VDC