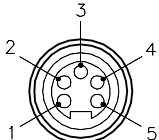
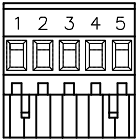
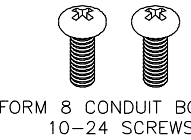
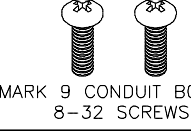
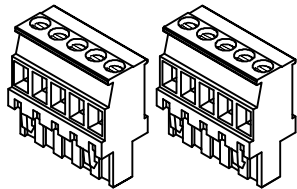
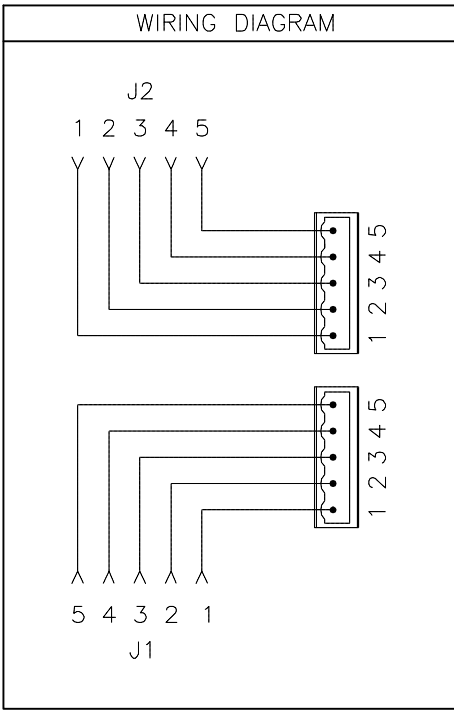
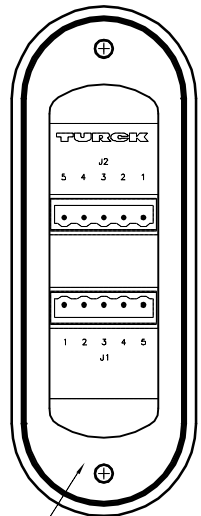
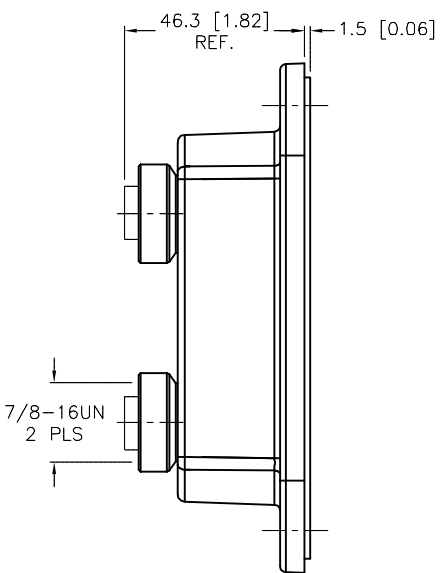
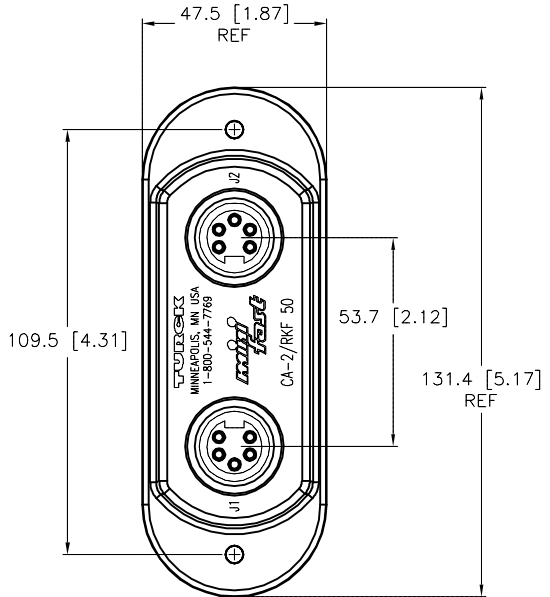
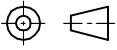


| J1, J2 CONNECTORS   | TERMINAL BLOCK PLUGS  | COVER SCREWS INCLUDED   | TERMINAL PLUGS INCLUDED  | SPECIFICATIONS                      |   |
|---|---|---|--|-------------------------------------|---|
|  |  |  <p>FORM 8 CONDUIT BODIES:<br/>10-24 SCREWS</p>  <p>MARK 9 CONDUIT BODIES:<br/>8-32 SCREWS</p> |  | HOUSING MATERIAL/COLOR              | NYLON 66 - 33% GLASS FILLED/BLACK                                     |
|   |   |   |  | RECEPTACLE HOUSING MATERIAL/PLATING | BRASS/NICKEL  |
|   |   |   |  | CONTACT CARRIERS/COLOR              | TPU/BLACK   |
|   |   |   |  | CONTACT MATERIAL/PLATING            | BRASS/GOLD  |
|   |   |   |  | OPERATING VOLTAGE                   | 250 V   |
|   |   |   |  | OPERATING CURRENT                   | 9.0 A PER CONDUCTOR   |
|   |   |   |  | PROTECTION CLASS to DIN 40050       | IP 67 - ONLY WHEN ALL RECEPTACLES ARE COVERED WITH PLUGS OR CONNECTED |
|   |   |   |  | OPERATING TEMPERATURE               | -30°C to +80°C (-22°F to +176°F)                                      |



SOURCE DRAWING - FOR REFERENCE ONLY

|                      |             |   |          |  |                |  |   |
|----------------------|-------------|---|----------|--|----------------|--|---|
| RELATED DOCUMENTS    |             | 3RD ANGLE PROJECTION  |          | THIS DRAWING IS CONFIDENTIAL AND THE PROPERTY OF TURCK INC. USE OF THIS DOCUMENT WITHOUT WRITTEN PERMISSION IS PROHIBITED. |                | <b>TURCK INC</b><br>High Technology Sensors and Automation Controls<br>3000 CAMPUS DRIVE<br>MINNEAPOLIS, MN 55441<br>1-800-544-7769<br>(763) 553-7300<br>(763) 553-0708 fax<br>turck.com |   |
| 1.<br>2.<br>3.<br>4. |             |  |          | DRFT DD  | DATE 06/13/03  | DESCRIPTION  |   |
| MATERIAL             |             | ALL DIMENSIONS DISPLAYED ON THIS DRAWING ARE FOR REFERENCE ONLY                       |          | APVD   | SCALE 1=2.0    | CA-2/RKF 50  |   |
| FINISH               |             | CONTACT TURCK FOR MORE INFORMATION  |          | UNIT OF MEASUREMENT  |                | IDENTIFICATION NO.   |   |
| SEE SPECIFICATIONS   |             |   |          | MILLIMETER [ INCH ]  |                | U0877-46   |   |
| SEE SPECIFICATIONS   |             |   |          | DO NOT SCALE THIS DRAWING  |                | REV  |   |
| D ADD THICKER GASKET |             | RDS   | 09/12/13 | 42993  | FILE: U0877-46 |  | D |
| REV                  | DESCRIPTION | BY  | DATE     | ECO NO.  | SHEET 1 OF 1   |  |   |