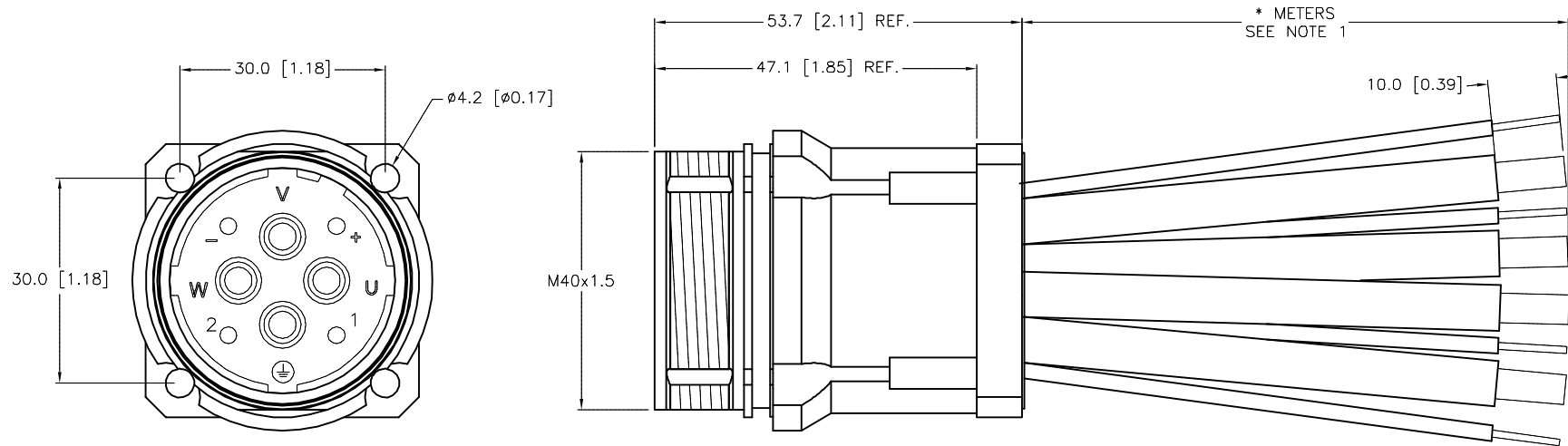


MALE END VIEW		PANEL CUTOUT (TYPICAL)	SPECIFICATIONS	
<p>GROUND CONNECTED TO HOUSING</p> <p>V = WHITE + = BLACK U = BLACK 1 = WHITE W = RED 2 = BROWN ⊕ = GREEN - = BLUE</p>			CONTACT CARRIER MATERIAL	NYLON
			CONTACT MATERIAL/PLATING	CuZn/GOLD
			HOUSING MATERIAL/PLATING	BRASS/NICKEL
			RATED CURRENT [A] (8 AWG PINS)	35.0 A
			RATED VOLTAGE [V] (8 AWG PINS)	600 V
			RATED CURRENT [A] (18 AWG PINS)	12.0 A
			RATED VOLTAGE [V] (18 AWG PINS)	300 V
			CONDUCTOR INSULATION MATERIAL	PVC
			NUMBERS OF CONDUCTORS [AWG]	4x8 AWG, 4x18 AWG
			TEMPERATURE RATING	-40°C to +105°C (-40°F to +221°F)
			PROTECTION CLASS	IEC IP67
			APPROVALS AND CERTIFICATIONS	UL 2237



CAUTION:
RISK OF ELECTRICAL SHOCK
DO NOT DISCONNECT UNDER LOAD

SOURCE DRAWING - FOR REFERENCE ONLY

CABLE LENGTH	TOLERANCE *
ALL LENGTHS	+ 4% (OR 50mm) OF LENGTH - 0% (OR 0mm) OF LENGTH WHICHEVER IS GREATER
STRIP LENGTH	TOLERANCE *
0-7mm	±0.5mm
8-29mm	±1.0mm
30-49mm	±2.0mm
50-69mm	±3.0mm
70-100mm	±4.0mm
OVER 100mm	±5.0mm

* UNLESS OTHERWISE SPECIFIED

NOTES:

1. "*" INDICATES WIRE LENGTH IN METERS. CONTACT TURCK TO ORDER SPECIFIC LENGTHS.

RELATED DOCUMENTS	3RD ANGLE PROJECTION	THIS DRAWING IS CONFIDENTIAL AND THE PROPERTY OF TURCK INC. USE OF THIS DOCUMENT WITHOUT WRITTEN PERMISSION IS PROHIBITED.	TURCK INC High Technology Sensors and Automation Controls 3000 CAMPUS DRIVE MINNEAPOLIS, MN 55441 1-800-544-7769 (763) 553-7300 (763) 553-0708 fax turck.com			
1.		DRFT	PLJ	DATE 09/26/06	DESCRIPTION HSFF 4848-*	
2.		APVD	SCALE 1=1.0			
3.		UNIT OF MEASUREMENT MILLIMETER [INCH]			IDENTIFICATION NO.	REV
4.		CONTACT TURCK FOR MORE INFORMATION				L
MATERIAL	SEE SPECIFICATIONS	DO NOT SCALE THIS DRAWING		FILE: 777014560	SHEET 1 OF 1	
FINISH	SEE SPECIFICATIONS					

L	ADD APPROVALS AND CERTIFICATION	TV	07/14/15	49284
REV	DESCRIPTION	BY	DATE	ECO NO.