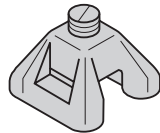
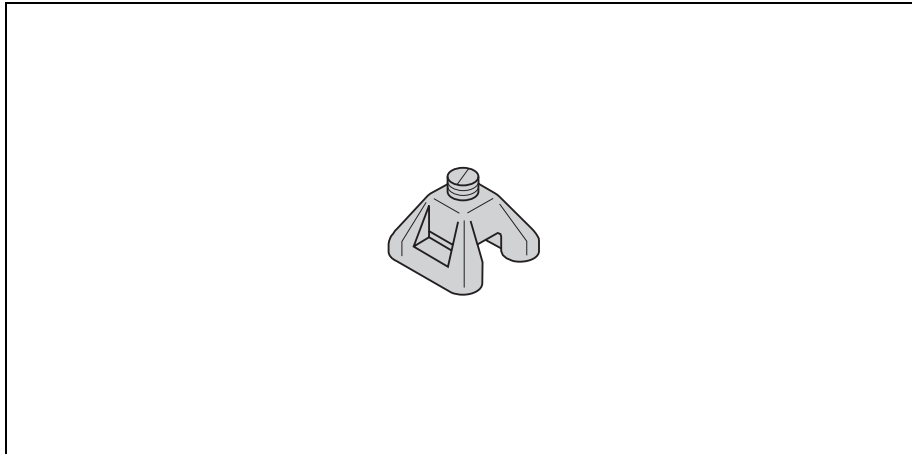


**mounting accessories
for round cylinders
KST-SE**

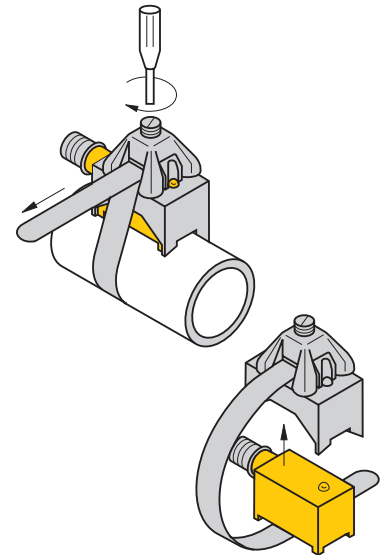
mounting accessories are included in delivery

General description

The sensor programme comprises inductive, magnetic-inductive, capacitive, photoelectric and ultrasonic sensors as well as pressure and flow controls. A broad range of practice-oriented accessories ensure optimal adaption to your system.



Type	KST-SE
Ident-No.	46736
Housing	accessories for rectangular types, KST
Housing material	metal, GD-Zn
Fixing clamp for correspondent cylinder diameter	alle mm



**mounting accessories
for round cylinders
KST-SE**

TURCK

Industrial
Automation

• Edition: • 20.03.2009