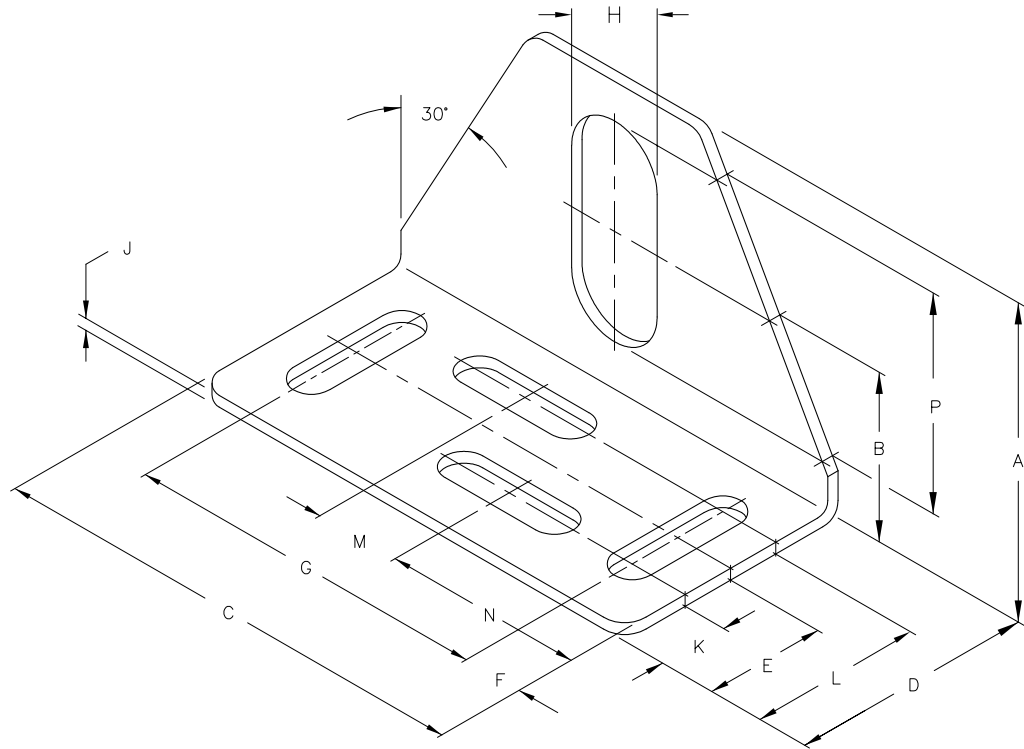


DESCRIPTION OF TABULATION

PART NO.	ID NO.	BARREL DIA	RM NO.	DIMENSIONS														SLOT	MATERIAL
				A	B	C	D	E	F	G	H	J	K	L	M	N	P		
MB-18	A3135	18 mm	10160109	1.63 41.5	.79 20.0	2.50 63.5	1.25 31.8	.61 15.5	.31 7.9	1.88 47.8	.75 19.1	.06 1.5	.35 9.0	.87 22.0	.45 11.5	1.04 26.3	1.15 29.1	.22 x .75 5.6 x 19.0	16 GAGE COLD ROLL STEEL



SOURCE DRAWING - FOR REFERENCE ONLY

NOTES:

- FOR USE WITH METAL BARREL SENSORS.

RELATED DOCUMENTS 1. 2. 3. 4.		3RD ANGLE PROJECTION 	THIS DRAWING IS PROPERTY OF TURCK INC. USE OF THIS DOCUMENT WITHOUT WRITTEN PERMISSION IS PROHIBITED.		TURCK INC <i>High Technology Sensors and Automation Controls</i> 3000 CAMPUS DRIVE MINNEAPOLIS, MN 55441 1-800-544-7769 (763) 553-7300 (763) 553-0708 fax turck.com	
MATERIAL COLD ROLLED STEEL	ALL DIMENSIONS DISPLAYED ON THIS DRAWING ARE FOR REFERENCE ONLY	DRFT SMW	DATE 10/17/86	DESCRIPTION MB-18		
FINISH GALVANIZED		DSGN	SCALE NONE	IDENTIFICATION NO. A3135		REV K
		UNIT OF MEASUREMENT INCH [MILLIMETER]		DO NOT SCALE THIS DRAWING		
CONTACT TURCK FOR MORE INFORMATION		FILE: A3135		SHEET 1 OF 1		

K	UPDATE TO CURRENT TITLEBLOCK	RDS	07/16/02	5504
REV	DESCRIPTION	BY	DATE	ECO NO.