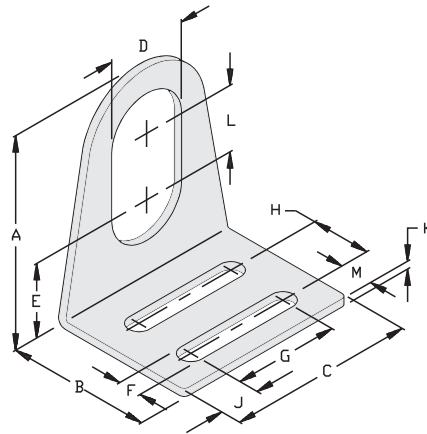


**Mounting Brackets**

Part Number	ID Number	Dimensions											
		A	B	C	D	E	F	G	H	J	K	L	M
MBSS-08	A2522	1.00 [25.4]	1.13 [28.7]	1.25 [31.8]	.344 [8.74]	.312 [7.92]	.218 [5.54]	.625 [15.9]	.468 [11.9]	.312 [7.92]	.070 [1.78]	.375 [9.53]	.281 [7.14]
MBSS-12	A2523	1.50 [38.1]	1.37 [34.8]	1.50 [38.1]	.500 [12.7]	.550 [13.9]	.218 [5.54]	.750 [19.1]	.563 [14.3]	.375 [9.53]	.070 [1.78]	.500 [12.7]	.312 [7.92]
MBSS-18	A2524	2.00 [50.8]	1.37 [34.8]	1.75 [44.5]	.750 [19.1]	.218 [5.54]	.218 [5.54]	1.00 [25.4]	.563 [14.3]	.375 [9.53]	.070 [1.78]	.625 [15.9]	.312 [7.92]
MBSS-30	A2525	2.50 [63.5]	1.75 [44.5]	2.25 [57.2]	1.18 [30.5]	.907 [23.0]	.218 [5.54]	1.37 [34.8]	.812 [20.6]	.440 [11.2]	.085 [2.16]	.750 [19.1]	.406 [10.3]
MBSS-47	A2526	3.50 [88.9]	2.00 [50.8]	2.50 [63.5]	1.87 [47.5]	1.50 [38.1]	.218 [5.54]	1.50 [38.1]	1.00 [25.4]	.500 [12.7]	.120 [3.05]	.750 [19.1]	.500 [12.7]

Inches [mm]  
Material: 304 Stainless Steel



Part Number	ID Number
MB-Q08/Q10	A3563

Inches [mm]  
Material: Stainless Steel  
For use with Q08 or Q10 sensors:

