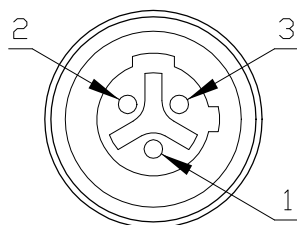
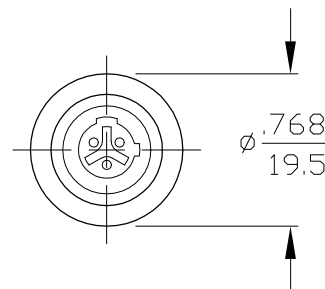
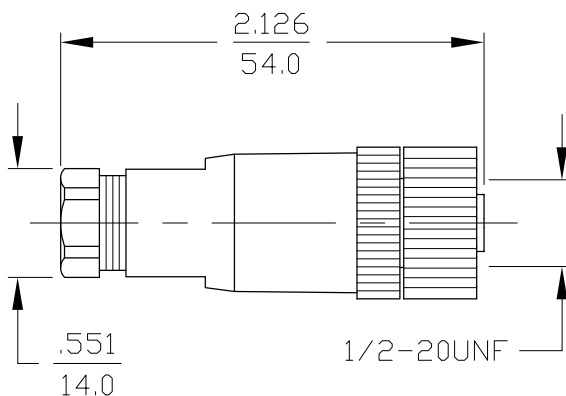


FEMALE CONNECTOR - END VIEW



SPECIFICATIONS

HOUSING MATERIAL/PLATING	PBT/BLACK
CONTACT MATERIAL/PLATING	NICKEL PLATED BRASS
COUPLING NUT MATERIAL/PLATING	NICKEL PLATED BRASS
RATED CURRENT [A]	4.0 A
RATED VOLTAGE [V]	250 V
MAXIMUM WIRE SIZE	18 AWG
CABLE GRIP RANGE	4-6 mm
TEMPERATURE RATING	-40°C to +85°C (-40°F to +185°F)
PROTECTION CLASS	MEETS NEMA 1,3,4,6,13 AND IEC IP67
SPACINGS [VDE 0110 b]	250 VAC/300 VDC, Gr. C



MATERIAL		3RD ANGLE PROJECTION		TURCK INC 3000 CAMPUS DRIVE MINNEAPOLIS, MN 55441 PHONE: (763) 553-7300	
FINISH					
DRFT	SWC	DATE	9/1/95	PART NO./DESCR.	
DSGN		Y#			
DIMENSION UNITS: INCHES [MILLIMETERS]				SIZE	ID NO.
				A	U5590
SCALE NONE				MIC\U5590	SHEET OF

REV	DESCRIPTION	SWC	9/1/95	ECO NO.
	DRAWING RELEASED	DRFT	DATE	
REVISIONS				