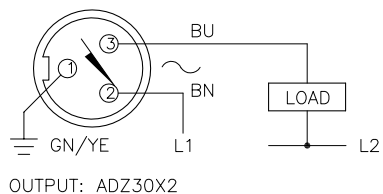
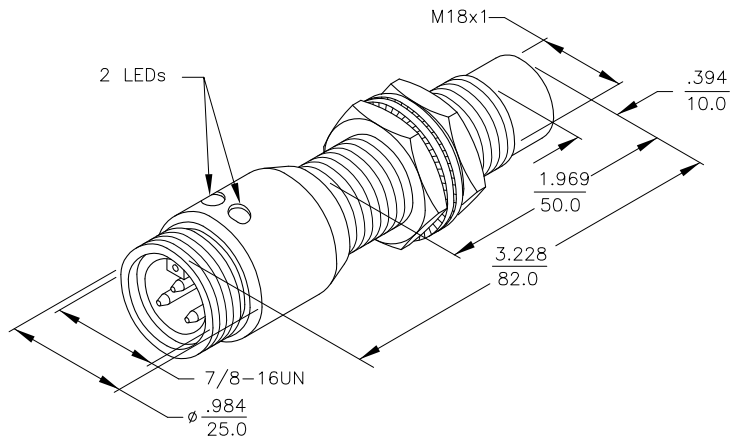
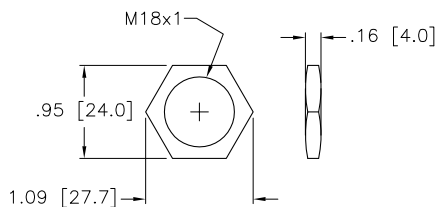


WIRING DIAGRAM



SHORT-CIRCUIT AND OVERLOAD PROTECTED

LOCKNUT LN-M18



- NOTES: 1. MATERIALS:  
 BARREL - STAINLESS STEEL  
 LOCKNUTS - STAINLESS STEEL  
 LOCKWASHERS - STAINLESS STEEL  
 CONNECTOR -  
 SENSING FACE - PA12-GF30 PLASTIC  
 2. WELD FIELD IMMUNE, SENSOR IS SUITABLE FOR USE ON RESISTANCE WELDING MACHINES.

SPECIFICATIONS

|   |  |
|---|--|
| OPERATING VOLTAGE                       | 20-250 VAC<br>10-300 VDC   |
| LINE FREQUENCY                          | 40-60 Hz   |
| DIFFERENTIAL TRAVEL (HYSTERESIS)        | 3-15% (5% TYPICAL)   |
| VOLTAGE DROP ACROSS CONDUCTING SENSOR   | ≤6.0 V at 400 mA   |
| OUTPUT FUNCTION -ADZ                    | NORMALLY OPEN<br>2-WIRE AC/DC SELF-CONTAINED   |
| SHORT-CIRCUIT PROTECTED                 | YES  |
| TRIGGER CURRENT FOR OVERLOAD PROTECTION | ≥440 mA  |
| CONTINUOUS LOAD CURRENT                 | 400 mA AC MAX.<br>300 mA DC MAX.   |
| OFF-STATE (LEAKAGE) CURRENT             | ≤1.7 mA  |
| MINIMUM LOAD CURRENT                    | ≥3.0 mA  |
| INRUSH CURRENT                          | ≤4 A (≤20 ms/5 Hz)   |
| TIME DELAY BEFORE AVAILABILITY          | ≤120 ms  |
| POWER-ON EFFECT PROTECTION              | INCORPORATED   |
| PROTECTION AGAINST TRANSIENTS           | EN 60947-5-2   |
| OPERATING TEMPERATURE                   | -25°C to +70°C (±10% DRIFT)<br>-30°C to +85°C (±15% DRIFT)                             |
| ENCLOSURE                               | MEETS NEMA 1, 3, 4, 6, 13 AND IEC IP67   |
| SHOCK                                   | 30 g, 11 ms  |
| VIBRATION                               | 55 Hz, 1 mm AMPLITUDE<br>(IN ALL 3 PLANES)   |
| LED FUNCTION                            | GREEN: STEADY-POWER ON<br>FLASHING = SHORT-CIRCUIT WARNING<br>YELLOW: OUTPUT ENERGIZED |
| RATED OPERATING DISTANCE(Sn)            | 12 mm = .472" (NOMINAL)  |
| SWITCHING FREQUENCY                     | 60 Hz  |
| REPEATABILITY                           | ≤2% of RATED OPERATING DISTANCE  |
| MATING PLUGS/CABLES                     | 3-PIN "MINIFAST" CONSTRUCTION  |

SOURCE DRAWING - FOR REFERENCE ONLY

|                   |   |   |       |   |             |
|-------------------|---|---|-------|---|-------------|
| RELATED DOCUMENTS | 3RD ANGLE PROJECTION  | THIS DRAWING IS PROPERTY OF TURCK INC. USE OF THIS DOCUMENT WITHOUT WRITTEN PERMISSION IS PROHIBITED. |       | 3000 CAMPUS DRIVE<br>MINNEAPOLIS, MN 55441<br>1-800-544-7769<br>(763) 553-7300<br>(763) 553-0708 fax<br>turck.com |             |
| 1.                |   | DRFT  | JB    | DATE  | 01/30/03    |
| 2.                |   | DSGN  | SCALE | NONE  | DESCRIPTION |
| 3.                | ALL DIMENSIONS DISPLAYED ON THIS DRAWING ARE FOR REFERENCE ONLY | UNIT OF MEASUREMENT   |       | IDENTIFICATION NO.  |             |
| 4.                |   | INCH [ MILLIMETER ]   |       | REV   |             |
| MATERIAL          | SEE NOTES   | DO NOT SCALE THIS DRAWING   |       | Ni12U-EG18-ADZ30X2-B1331  |             |
| FINISH            | SEE NOTES   | CONTACT TURCK FOR MORE INFORMATION  |       | M4281432  |             |
| A                 | DRAWING RELEASE   | BY  | JB    | DATE  | 02/07/03    |
| REV               | DESCRIPTION   | BY  | DATE  | ECO NO.   |             |