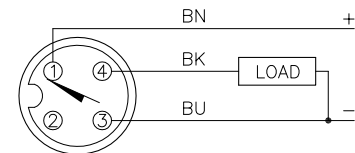
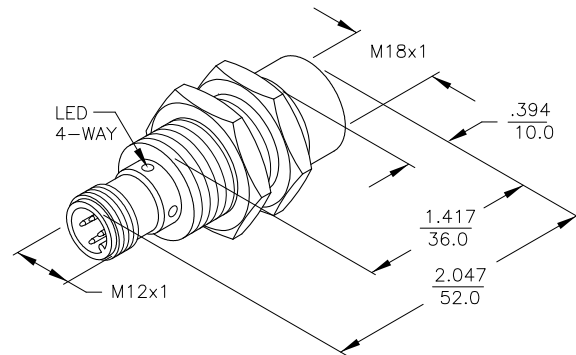


WIRING DIAGRAM



OUTPUT: AP6X

SHORT-CIRCUIT AND OVERLOAD PROTECTED



NOTES:

1. UPROX HAS FIELD IMMUNITY, SENSOR IS SUITABLE FOR USE ON RESISTANCE MACHINES.

2. MATERIALS:

BARREL - STAINLESS STEEL
 LOCKNUTS - STAINLESS STEEL
 CONNECTOR - STAINLESS STEEL
 SENSING FACE - PA12-GF30 PLASTIC

SPECIFICATIONS

OPERATING VOLTAGE	10-30 VDC
DIFFERENTIAL TRAVEL (HYSTERESIS)	3-15% (5% TYPICAL)
VOLTAGE DROP ACROSS CONDUCTING SENSOR	≤1.8 V at 200 mA
OUTPUT FUNCTION	NORMALLY OPEN, 3-WIRE DC
TTL COMPATIBLE	NO
SHORT-CIRCUIT PROTECTED	YES
TRIGGER CURRENT FOR OVERLOAD PROTECTION	≥ 220 mA
CONTINUOUS LOAD CURRENT	≤ 200 mA
OFF-STATE (LEAKAGE) CURRENT	<100 μA
NO-LOAD CURRENT	≤ 15 ms
TIME DELAY BEFORE AVAILABILITY	≤ 8 ms
POWER-ON EFFECT	Per IEC 60947-5-2
REVERSE POLARITY PROTECTION	YES
WIRE-BREAK PROTECTION	YES
TRANSIENT PROTECTION	Per EN 60947-5-2
OPERATING TEMPERATURE	-25°C to +70°C (-13°F to +158°F)
ENCLOSURE	MEETS NEMA 1, 3, 4, 6, 13 AND IEC IP67
SHOCK	30 g, 11 ms
VIBRATION	55 Hz, 1 mm AMPLITUDE (IN ALL 3 PLANES)
LED FUNCTION	YELLOW: OUTPUT ENERGIZED
SENSING RANGE	12 mm = .472" (NOMINAL)
SWITCHING FREQUENCY	2000 Hz
REPEATABILITY	≤ 2% of RATED OPERATING DISTANCE
EMBEDDABLE (SHIELDED)	NO
MATING PLUGS/CABLES	4-PIN "EUROFAST" CONSTRUCTION (STAINLESS STEEL)
LOCKNUT M18x1	24 mm AF, 27.5 mm AC, 4 mm THK

A	DRAWING RELEASE	RDS	09/29/04	
REV	DESCRIPTION	BY	DATE	ECO NO.

RELATED DOCUMENTS	3RD ANGLE PROJECTION	THIS DRAWING IS PROPERTY OF TURCK INC. USE OF THIS DOCUMENT WITHOUT WRITTEN PERMISSION IS PROHIBITED.		3000 CAMPUS DRIVE MINNEAPOLIS, MN 55441 1-800-544-7769 (763) 553-7300 (763) 553-0708 fax turck.com	
1.		DRFT	IK	DATE	02/16/01
2.		DSGN		SCALE	1=2.0
3.		UNIT OF MEASUREMENT		DESCRIPTION	
4.		INCH [MILLIMETER]		NI12U-EM18-AP6X-H1141	
MATERIAL	SEE NOTE 2	ALL DIMENSIONS DISPLAYED ON THIS DRAWING ARE FOR REFERENCE ONLY		IDENTIFICATION NO.	
FINISH	COPPER/NICKEL CHROME PLATING	CONTACT TURCK FOR MORE INFORMATION		M1645340	REV A
DO NOT SCALE THIS DRAWING			FILE: M1645340 SHEET 1 OF 1		