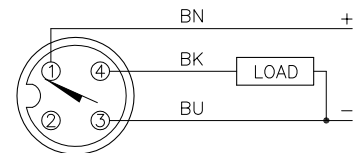
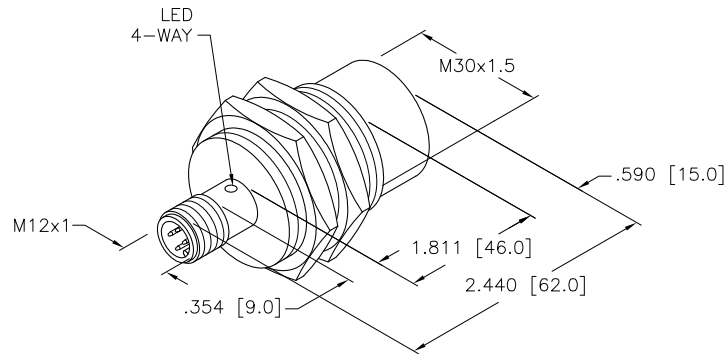


WIRING DIAGRAM



OUTPUT: AP6X

SHORT-CIRCUIT AND OVERLOAD PROTECTED



SPECIFICATIONS

OPERATING VOLTAGE	10-30 VDC
DIFFERENTIAL TRAVEL (HYSTERESIS)	3-15% (5% TYPICAL)
RIPPLE	≤ 10%
VOLTAGE DROP ACROSS CONDUCTING SENSOR	≤ 1.8 V at 200 mA
OUTPUT FUNCTION	NORMALLY OPEN, 3-WIRE DC
TTL COMPATIBLE	NO
SHORT-CIRCUIT PROTECTED	YES
TRIGGER CURRENT FOR OVERLOAD PROTECTION	≥ 220 mA
CONTINUOUS LOAD CURRENT	≤ 200 mA
OFF-STATE (LEAKAGE) CURRENT	< 100 μA
NO-LOAD CURRENT	≤ 10 ms
TIME DELAY BEFORE AVAILABILITY	≤ 8 ms
POWER-ON EFFECT	Per IEC 60947-5-2
REVERSE POLARITY PROTECTION	YES
WIRE-BREAK PROTECTION	YES
TRANSIENT PROTECTION	Per EN 60947-5-2
OPERATING TEMPERATURE(10% TEMP. DRIFT)	-25°C to +70°C (-13°F to +158°F)
OPERATING TEMPERATURE(15% TEMP. DRIFT)	-30°C to +85°C (-22°F to +185°F)
ENCLOSURE	MEETS NEMA 1, 3, 4, 6, 13 AND IEC IP67
SHOCK	30 g, 11 ms
VIBRATION	55 Hz, 1 mm AMPLITUDE (IN ALL 3 PLANES)
LED FUNCTION	YELLOW: OUTPUT ENERGIZED
SENSING RANGE	20 mm = .787" (NOMINAL)
SWITCHING FREQUENCY	1500 Hz
REPEATABILITY	≤ 2% of RATED OPERATING DISTANCE
EMBEDDABLE (SHIELDED)	NO
MATING PLUGS/CABLES	4-PIN "EUROFAST" CONSTRUCTION (STAINLESS STEEL)
LOCKNUT M30x1.5	36 mm AF, 41.5 mm AC, 4 mm THK

SOURCE DRAWING - FOR REFERENCE ONLY

NOTES:

1. UPROX HAS FIELD IMMUNITY, SENSOR IS SUITABLE FOR USE ON RESISTANCE MACHINES.

2. MATERIALS:

BARREL - STAINLESS STEEL
 LOCKNUTS - STAINLESS STEEL
 CONNECTOR - STAINLESS STEEL
 SENSING FACE - PA12-GF30 PLASTIC

RELATED DOCUMENTS		3RD ANGLE PROJECTION		THIS DRAWING IS PROPERTY OF TURCK INC. USE OF THIS DOCUMENT WITHOUT WRITTEN PERMISSION IS PROHIBITED.		TURCK INC High Technology Sensors and Automation Controls 3000 CAMPUS DRIVE MINNEAPOLIS, MN 55441 1-800-544-7769 (763) 553-7300 (763) 553-0708 fax turck.com	
1. 2. 3. 4.				DRFT IK DSGN DATE 2/16/01 SCALE 1=2.0		DESCRIPTION NI20U-EM30-AP6X-H1141	
MATERIAL SEE NOTE 2		ALL DIMENSIONS DISPLAYED ON THIS DRAWING ARE FOR REFERENCE ONLY		UNIT OF MEASUREMENT INCH [MILLIMETER]		IDENTIFICATION NO. M1646340	
FINISH COPPER/NICKEL CHROME PLATING		CONTACT TURCK FOR MORE INFORMATION		DO NOT SCALE THIS DRAWING		REV A	
A	DRAWING RELEASE	RDS	01/29/07	FILE: M1646340			
REV	DESCRIPTION	BY	DATE	ECO NO.	SHEET 1 OF 1		