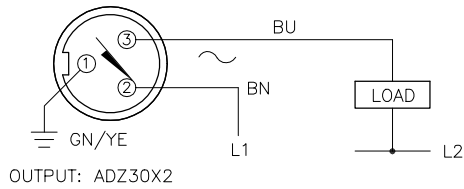
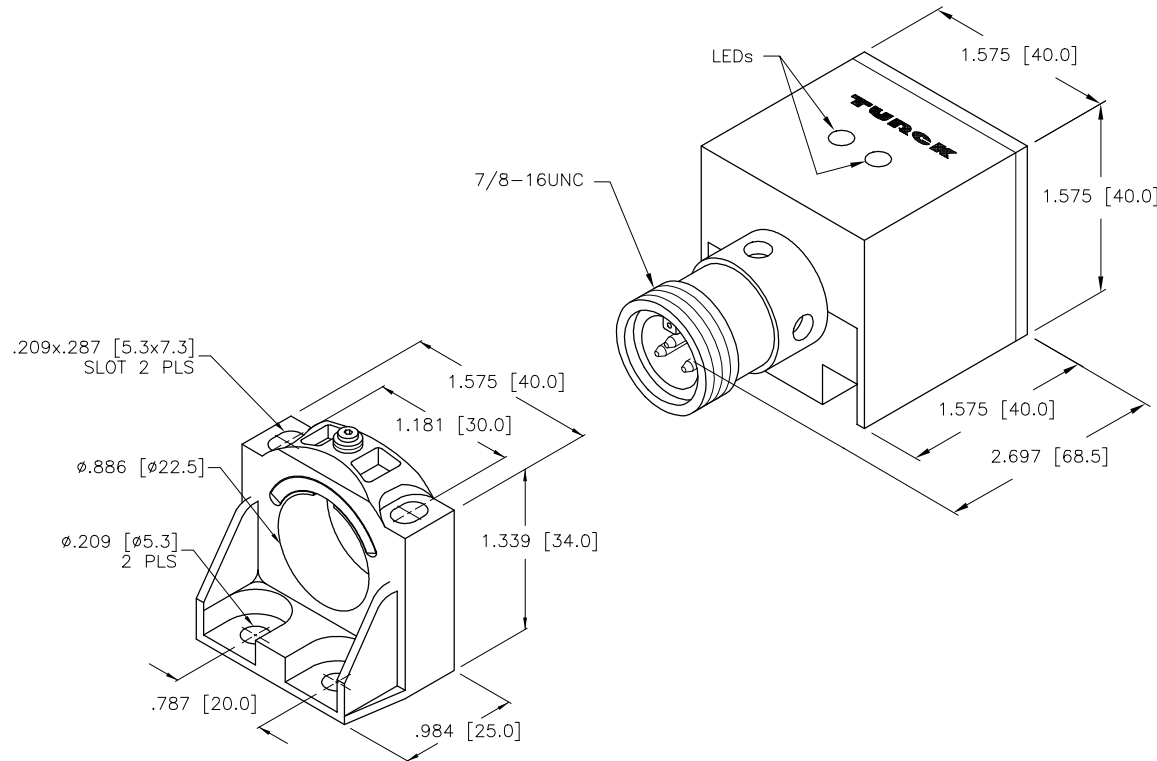


WIRING DIAGRAM



SHORT-CIRCUIT AND OVERLOAD PROTECTED



BS-4 MOUNTING BRACKET

SPECIFICATIONS

OPERATING VOLTAGE	20-250 VAC 10-300 VDC
LINE FREQUENCY	40-60 Hz
DIFFERENTIAL TRAVEL (HYSTERESIS)	3-15% (5% TYPICAL)
VOLTAGE DROP ACROSS CONDUCTING SENSOR	≤ 6 V at 400 mA
OUTPUT FUNCTION	NORMALLY OPEN 2-WIRE AC/DC SELF-CONTAINED
SHORT-CIRCUIT PROTECTED	YES
TRIGGER CURRENT FOR OVERLOAD PROTECTION	>440 mA
CONTINUOUS LOAD CURRENT	≤ 400 mA AC, ≤ 300 mA DC
OFF-STATE (LEAKAGE) CURRENT	≤ 1.7 mA
MINIMUM LOAD CURRENT	3 mA
INRUSH CURRENT	≤ 4 A (≤ 20 ms/5 Hz)
TIME DELAY BEFORE AVAILABILITY	< 80 ms
POWER-ON EFFECT PROTECTION	INCORPORATED
PROTECTION AGAINST TRANSIENTS	EN 60947-5-2
OPERATING TEMPERATURE	-25°C to +70°C (-13°F to +158°F) W/±10% DRIFT -30°C to +85°C (-22°F to +185°F) W/±15% DRIFT
ENCLOSURE	MEETS NEMA 1, 3, 4, 6, 13 AND IEC IP67
SHOCK	30 g, 11 ms
VIBRATION	55 Hz, 1 mm AMPLITUDE (IN ALL 3 PLANES)
LED FUNCTION	GREEN: POWER ON FLASHING-SHORT-CIRCUIT WARNING YELLOW: OUTPUT ENERGIZED
RATED OPERATING DISTANCE(S _n)	35 mm = 1.378" (NOMINAL)
EMBEDDABLE (SHIELDED)	NO
SWITCHING FREQUENCY	60 Hz
REPEATABILITY	<2% of RATED OPERATING DISTANCE
MATING PLUGS/CABLES	3-PIN "MINIFAST" CONSTRUCTION

NOTE
PRELIMINARY
SPECIFICATIONS

RELATED DOCUMENTS 1. 2. 3. 4.	3RD ANGLE PROJECTION 	THIS DOCUMENT IS PROPERTY OF TURCK INC. USE OF THIS DOCUMENT WITHOUT WRITTEN PERMISSION IS PROHIBITED.	TURCK INC High Technology Sensors and Automation Controls	3000 CAMPUS DRIVE MINNEAPOLIS, MN 55441 1-800-544-7769 (763) 553-7300 (763) 553-0708 fax turck.com
MATERIAL PBT-GF30-VO PLASTIC HOUSING	TOLERANCES UNLESS OTHERWISE SPECIFIED .X ±0.02 .XX ±0.01 .XXX ±0.005 ANGLES ±1°	DRFT IK DATE 8/19/98	DESCRIPTION Ni35U-CK40-ADZ30X2-B1131	
FINISH	ALL MILLIMETER DIMENSIONS ARE REFERENCE ONLY	DSGN SCALE 1=1	IDENTIFICATION NO. M4280410	REV P1
P1	IK	UNIT OF MEASUREMENT INCH [MILLIMETER]	FILE: M4280410	SHEET 1 OF 1
REV	DESCRIPTION	BY	DATE	ECO NO.