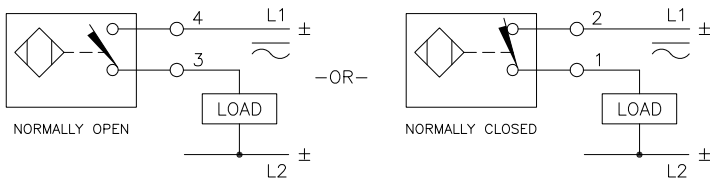
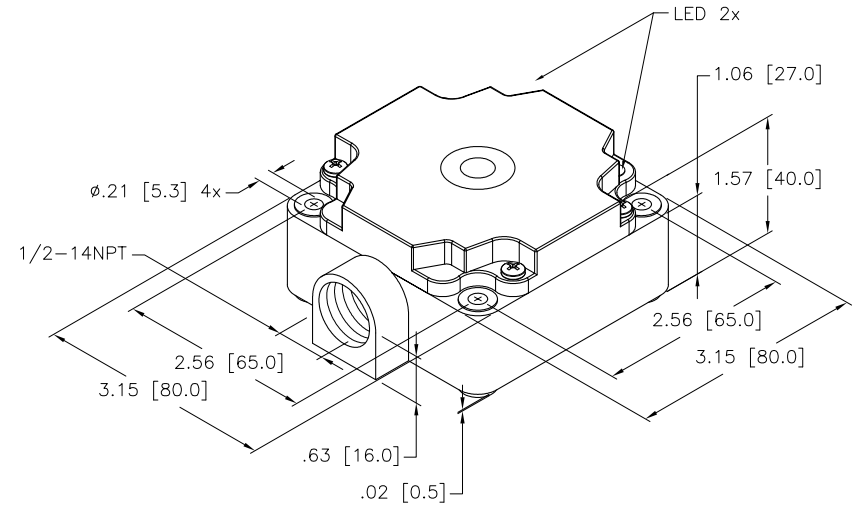


OPERATING VOLTAGE ..... 2-WIRE AC, 20-250 VAC/10-300 VDC  
 OUTPUT FUNCTION ..... CONNECTION PROGRAMMABLE  
 EMBEDDABLE ..... NO  
 RATED OPERATING DISTANCE ..... 50 mm  
 APPROVAL OR CERTIFICATION ..... CSA (C US), CE  
 SHORT-CIRCUIT PROTECTION ..... YES  
 WELD-FIELD IMMUNITY ..... NO  
 SWITCHING FREQUENCY ..... 20 Hz  
 LINE FREQUENCY ..... 50-60 Hz  
 DIFFERENTIAL TRAVEL <HYSTERESIS> ..... 3-15% (5% TYPICAL)  
 VOLTAGE DROP ACROSS CONDUCTING SENSOR ..... ≤6.0 V AT 400 mA  
 TRIGGER CURRENT FOR OVERLOAD PROTECTION ..... ≥500 mA  
 CONTINUOUS LOAD CURRENT ..... ≤400 mA  
 OFF-STATE <LEAKAGE> CURRENT ..... ≤1.7 mA  
 MINIMUM LOAD CURRENT ..... ≥3.0 mA  
 INRUSH CURRENT ..... ≤8.0 A (≤10 ms MAX. 5Hz)  
 TIME DELAY BEFORE AVAILABILITY ..... ≤30 ms  
 POWER-ON EFFECT ..... PER IEC 947-5-2  
 TRANSIENT PROTECTION ..... PER EN 60947-5-2  
 OPERATING TEMPERATURE ..... -25°C TO +70°C (-13°F TO + 158°F)  
 SHOCK ..... 30 g, 11 ms  
 VIBRATION ..... 55 Hz, 1 mm AMPLITUDE (ALL 3 PLANES)  
 REPEATABILITY ..... ≤2% OF RATED OPERATING DISTANCE  
 NUMBER OF LEDS ..... 2  
 LED FUNCTION <RED> ..... OUTPUT ENERGIZED  
 LED FUNCTION <GREEN> ..... POWER ON  
 LED FUNCTION <FLASHING GREEN> ..... SHORT-CIRCUIT INDICATION  
 ENCLOSURE ..... MEETS NEMA 1,3,4,6,13, AND IEC IP 67  
 CONNECTION ..... 1/2-14 NPT CONDUIT FITTING  
 HOUSING MATERIAL ..... PBT-GF30-V0 PLASTIC  
 TERMINAL CHAMBER COVER MATERIAL ..... TROGAMID T



SOURCE DRAWING - FOR REFERENCE ONLY

NOTE: ALL DIMENSIONAL TOLERANCES ±1.0 mm.

RELATED DOCUMENTS 1. 2. 3. 4.	3RD ANGLE PROJECTION 	THIS DRAWING IS PROPERTY OF TURCK INC. USE OF THIS DOCUMENT WITHOUT WRITTEN PERMISSION IS PROHIBITED.		<b>TURCK INC</b> <i>High Technology Sensors and Automation Controls</i> 3000 CAMPUS DRIVE MINNEAPOLIS, MN 55441 1-800-544-7769 (763) 553-7300 (763) 553-0708 fax turck.com	
	MATERIAL	DRFT CBM	DATE 09/13/00	DESCRIPTION Ni50-CP80-FDZ30X2	
FINISH	ALL DIMENSIONS DISPLAYED ON THIS DRAWING ARE FOR REFERENCE ONLY  CONTACT TURCK FOR MORE INFORMATION	DSGN	SCALE NONE	IDENTIFICATION NO. M4232100	
		UNIT OF MEASUREMENT <b>INCH [ MILLIMETER ]</b>		REV E	
E UPDATE SPECS RDS 04/07/10 30685		DO NOT SCALE THIS DRAWING		FILE: M4232100	SHEET 1 OF 1
REV	DESCRIPTION	BY	DATE	ECO NO.	