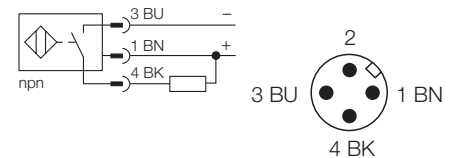


- threaded barrel, M8 x 1
- stainless steel, 1.4404
- factor 1 for all metals
- degree of protection IP68
- magnetic field immune
- high switching distance
- high switching frequency
- integrated predamping protection
- small metal-free zones
- 3-wire DC, 10...30 VDC
- normally open npn output
- connector, M12 x 1

<b>Type</b>	Ni6U-EG08-AN6X-H1341
Ident-No.	4635805
<b>Rated operating distance Sn</b>	6 mm
Mounting condition	non-flush
Assured sensing range	≤ (0,81 x Sn) mm
Repeatability	≤ 2 %
Temperature drift	≤ ± 10 %
Hysteresis	3... 15 %
Ambient temperature	0...+ 70 °C
<b>Operating voltage</b>	10... 30VDC
Residual ripple	≤ 10 % U <sub>SS</sub>
DC rated operational current	≤ 150 mA
No-load current I <sub>0</sub>	≤ 15 mA
Residual current	≤ 0.1 mA
Rated insulation voltage	≤ 0.5 kV
Short-circuit protection	yes / cyclic
Voltage drop at I <sub>e</sub>	≤ 1.8V
Wire breakage / Reverse polarity protection	yes / complete
Output function	3-wire, normally open, npn
Insulation class	□
Switching frequency	≤ 1 kHz
<b>Housing</b>	threaded barrel, M8 x 1
Dimensions	57 mm
Housing material	metal, AISI 316L
Material active face	plastic, plastic, PA12-GF20
Tightening torque of housing nut	10 Nm
Connection	connectors, M12 x 1
Vibration resistance	55 Hz (1 mm)
Shock resistance	30g (11 ms)
Degree of protection	IP68
<b>Display switch state</b>	LED yellow

### Wiring diagram



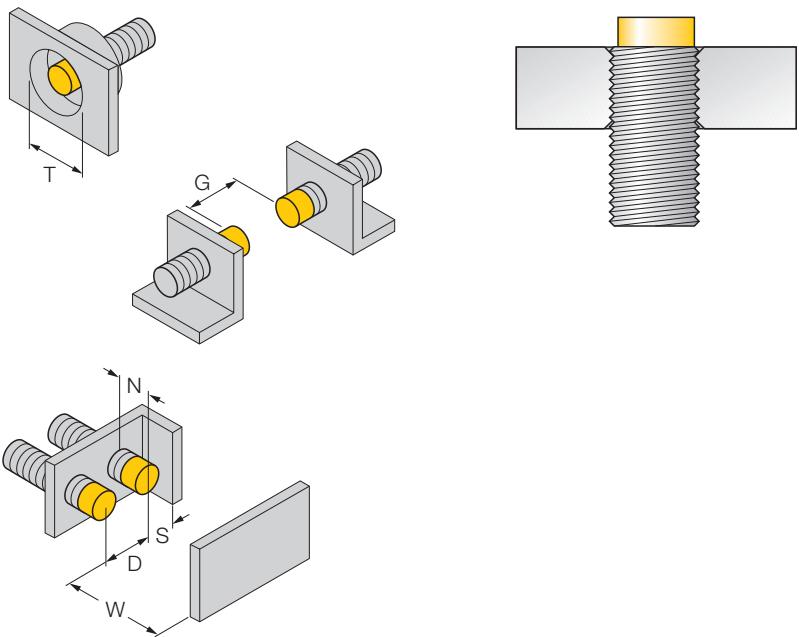
### Functional principle

Inductive sensors are designed for wear-free and non-contact detection of metal objects. uprox+ sensors have considerable advantages due to their patented multi-coil system. They excel in highest switching distances, maximum flexibility and operational reliability as well as efficient standardisation.

Mounting instructions	minimum distances
Distance D	32 MM
Distance W	18 MM
Distance T	32 MM
Distance S	12 MM
Distance G	36 MM
Distance N	12 mm

---

**Diameter of the active area B**                      Ø 8 mm



All non-flush mountable uprox+ threaded barrel switches allow embedded mounting up to the upper edge of the thread. Thus safe operation with a reduction of the switching distance is guaranteed.

**Accessories**

Type code	Ident-No.	Short text	Dimension drawing
BST-08B	6947210	fixing clamp with dead-stop; material: PA6	
MW-08	6945008	mounting bracket; material: stainless steel A2 1.4301 (AISI 304)	
BSS-08	6901322	fixing clamp; material: polypropylene	