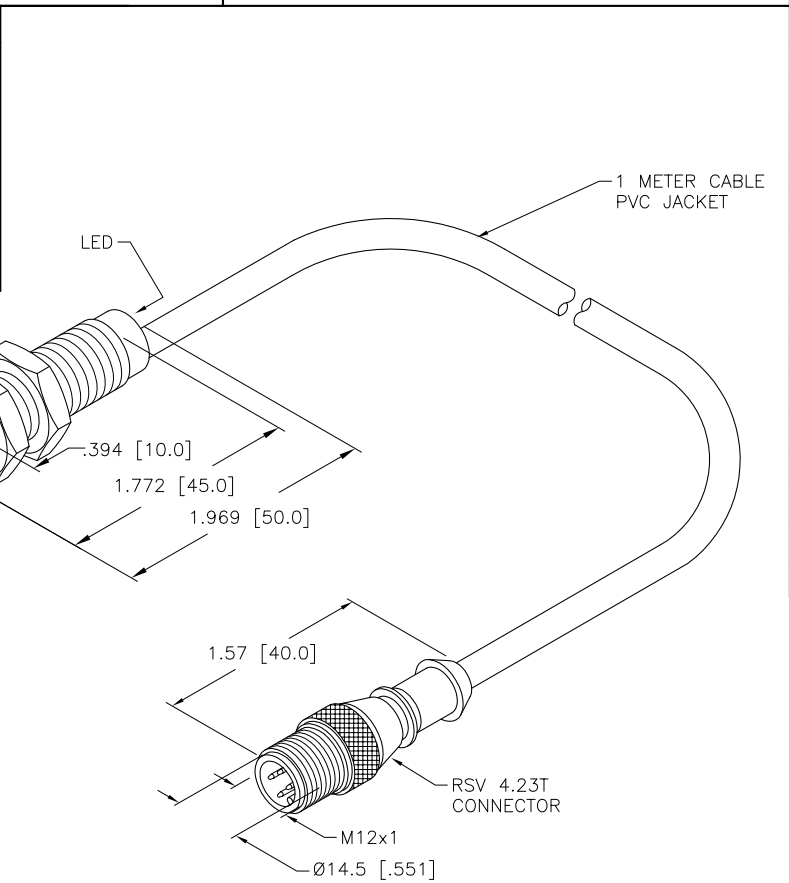
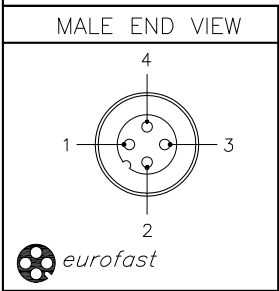


| SPECIFICATIONS | |
|---|--|
| OPERATING VOLTAGE | 10-65 VDC |
| RIPPLE | ≤10% |
| HYSTERESIS (DIFFERENTIAL TRAVEL) | 3-15% (5% TYPICAL) |
| VOLTAGE DROP ACROSS CONDUCTING SENSOR | ≤5.0 V at 100 mA |
| OUTPUT FUNCTION | NORMALLY CLOSED 2-WIRE DC SELF-CONTAINED |
| TTL COMPATIBLE | NO |
| SHORT-CIRCUIT PROTECTED | YES |
| TRIGGER CURRENT FOR OVERLOAD PROTECTION | ≥120 mA |
| MAXIMUM LOAD CURRENT | ≤100 mA |



| | |
|--------------------------------|---|
| OFF-STATE (LEAKAGE) CURRENT | <0.8 µA |
| MINIMUM LOAD CURRENT | ≥3.0 mA |
| TIME DELAY BEFORE AVAILABILITY | ≤10 ms |
| POWER-ON EFFECT | Per IEC 947-5-2 |
| REVERSE POLARITY PROTECTION | INCORPORATED |
| WIRE-BREAK PROTECTION | INCORPORATED |
| TRANSIENT PROTECTION | Per EN 60947-5-2 |
| OPERATING TEMPERATURE | -25°C to +70°C (-13°F to +158°F) |
| ENCLOSURE | MEETS NEMA 1, 3, 4, 6, 13 AND IEC IP67 |
| SHOCK | 30 g, 11 ms |
| VIBRATION | 55 Hz, 1 mm AMPLITUDE (IN ALL 3 PLANES) |
| LED FUNCTION | YELLOW: OUTPUT ENERGIZED |
| RATED OPERATING DISTANCE(Sn) | 8mm = .315" (NOMINAL) |
| SWITCHING FREQUENCY | 500 Hz |
| REPEATABILITY | ≤2% of RATED OPERATING DISTANCE |
| SHIELDED | NO |

NOTES:

- MATERIALS:
 STAINLESS STEEL BARREL
 STAINLESS STEEL LOCKNUTS
 PA 12-GF30 PLASTIC SENSING FACE
 TPE-O ELASTOMER END CAP
- "/S1624" INDICATES REAR LED LENS FOR WASHDOWN APPLICATION.

| | | | | | |
|---|---|---|------------------------------|---|--------------|
| RELATED DOCUMENTS 1. 2. 3. 4. | 3RD ANGLE PROJECTION | THIS DRAWING IS PROPERTY OF TURCK INC. USE OF THIS DOCUMENT WITHOUT WRITTEN PERMISSION IS PROHIBITED. | | 3000 CAMPUS DRIVE MINNEAPOLIS, MN 55441 1-800-544-7769 (763) 553-7300 (763) 553-0708 fax turck.com | |
| | MATERIAL STAINLESS STEEL | DRFT RDS DSGN | DATE 04/06/04 SCALE 1=2.0 | DESCRIPTION NI 8-EM12-RD4X-1M-RSV 4.23T /S1624 | |
| FINISH | ALL DIMENSIONS DISPLAYED ON THIS DRAWING ARE FOR REFERENCE ONLY | UNIT OF MEASUREMENT INCH [MILLIMETER] | | IDENTIFICATION NO. T4411297 | REV A |
| A DRAWING RELEASE RDS 04/06/04 | | DO NOT SCALE THIS DRAWING | | FILE: T4411297 | SHEET 1 OF 1 |

| REV | DESCRIPTION | BY | DATE | ECO NO. |
|-----|-----------------|-----|----------|---------|
| A | DRAWING RELEASE | RDS | 04/06/04 | |