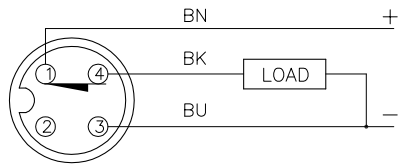
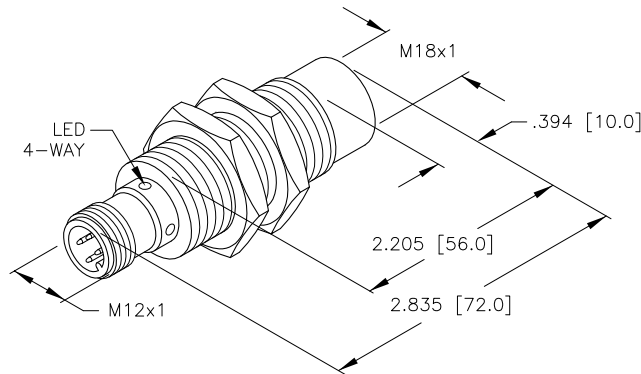


WIRING DIAGRAM



OUTPUT: RP6X

SHORT-CIRCUIT AND OVERLOAD PROTECTED



NOTE:
MATERIALS:
BARREL - CHROME PLATED BRASS
LOCKNUTS - CHROME PLATED BRASS
CONNECTOR - CHROME PLATED BRASS
SENSING FACE - PA12-GF30 PLASTIC

SPECIFICATIONS

OPERATING VOLTAGE	10-30 VDC
HYSTERESIS (DIFFERENTIAL TRAVEL)	3-15% (5% TYPICAL)
VOLTAGE DROP ACROSS CONDUCTING SENSOR	≤ 1.8 V at 200 mA
OUTPUT FUNCTION	NORMALLY CLOSED 3-WIRE DC
TTL COMPATIBLE	NO
SHORT-CIRCUIT PROTECTED	YES
TRIGGER CURRENT FOR OVERLOAD PROTECTION	≥ 220 mA
CONTINUOUS LOAD CURRENT	≤ 200 mA
OFF-STATE (LEAKAGE) CURRENT	< 100 μA
NO-LOAD CURRENT	≤ 10 mA
TIME DELAY BEFORE AVAILABILITY	≤ 8 ms
POWER-ON EFFECT	Per IEC 947-5-2
REVERSE POLARITY PROTECTION	YES
WIRE-BREAK PROTECTION	YES
TRANSIENT PROTECTION	Per EN 60947-5-2
OPERATING TEMPERATURE	-25°C to +70°C (-13°F to +158°F)
ENCLOSURE	MEETS NEMA 1, 3, 4, 6, 13 AND IEC IP67
SHOCK	30 g, 11 ms
VIBRATION	55 Hz, 1 mm AMPLITUDE (IN ALL 3 PLANES)
LED FUNCTION	YELLOW: OUTPUT ENERGIZED LED VISIBLE THROUGH FOUR WINDOWS
RATED OPERATING DISTANCE(Sn)	8 mm = .315" (NOMINAL)
SWITCHING FREQUENCY	1000 Hz
REPEATABILITY	≤ 2% of RATED OPERATING DISTANCE
SHIELDED	NO
MATING PLUGS/CABLES	4-PIN "EUROFAST" CONSTRUCTION
LOCKNUT M18x1	24.0 mm AF, 27.5 mm AC, 4 mm THK

SOURCE DRAWING - FOR REFERENCE ONLY

RELATED DOCUMENTS 1. 2. 3. 4.	3RD ANGLE PROJECTION	THIS DRAWING IS PROPERTY OF TURCK INC. USE OF THIS DOCUMENT WITHOUT WRITTEN PERMISSION IS PROHIBITED.			TURCK INC High Technology Sensors and Automation Controls 3000 CAMPUS DRIVE MINNEAPOLIS, MN 55441 1-800-544-7769 (763) 553-7300 (763) 553-0708 fax turck.com	
	MATERIAL		DRFT IK	DATE 05/03/01		DESCRIPTION
	SEE NOTE		DSGN	SCALE 1=1.5		Ni 8-M18E-RP6X-H1143
	FINISH		UNIT OF MEASUREMENT			IDENTIFICATION NO.
ALL DIMENSIONS DISPLAYED ON THIS DRAWING ARE FOR REFERENCE ONLY		INCH [MILLIMETER]		T4614795	REV A	
CONTACT TURCK FOR MORE INFORMATION		DO NOT SCALE THIS DRAWING		FILE: T4614795	SHEET 1 OF 1	

A	DRAWING RELEASE	IK	05/03/01	
REV	DESCRIPTION	BY	DATE	ECO NO.