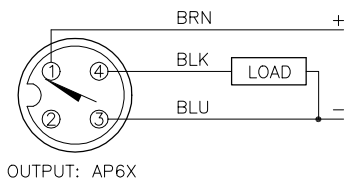
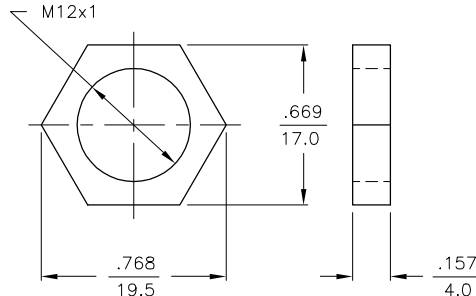
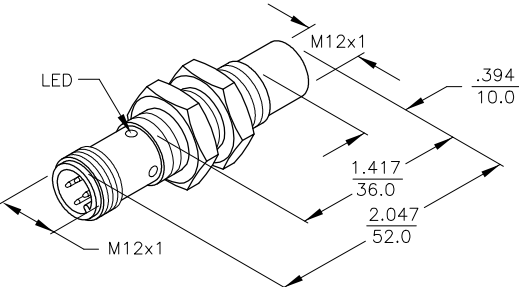
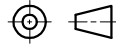



WIRING DIAGRAM	LOCKNUT LN-MT12	SPECIFICATIONS																																																					
 <p>OUTPUT: AP6X</p> <p>SHORT-CIRCUIT AND OVERLOAD PROTECTED</p>		<table border="1"> <tr><td>OPERATING VOLTAGE</td><td>10-30 VDC</td></tr> <tr><td>RIPPLE</td><td>≤10%</td></tr> <tr><td>DIFFERENTIAL TRAVEL (HYSTERESIS)</td><td>3-15% (5% TYPICAL)</td></tr> <tr><td>VOLTAGE DROP ACROSS CONDUCTING SENSOR</td><td>≤1.8 V at 200 mA</td></tr> <tr><td>OUTPUT FUNCTION</td><td>NORMALLY OPEN 3-WIRE DC SELF-CONTAINED</td></tr> <tr><td>TTL COMPATIBLE</td><td>NO</td></tr> <tr><td>SHORT-CIRCUIT PROTECTED</td><td>YES</td></tr> <tr><td>TRIGGER CURRENT FOR OVERLOAD PROTECTION</td><td>≥220 mA</td></tr> <tr><td>CONTINUOUS LOAD CURRENT</td><td>≤200 mA</td></tr> <tr><td>OFF-STATE (LEAKAGE) CURRENT</td><td><100 uA</td></tr> <tr><td>NO-LOAD CURRENT</td><td>≤15 mA</td></tr> <tr><td>TIME DELAY BEFORE AVAILABILITY</td><td>≤8 ms</td></tr> <tr><td>POWER-ON EFFECT PROTECTION</td><td>PER IEC 947-5-2</td></tr> <tr><td>REVERSE POLARITY PROTECTION</td><td>INCORPORATED</td></tr> <tr><td>WIRE-BREAK PROTECTION</td><td>INCORPORATED</td></tr> <tr><td>PROTECTION AGAINST TRANSIENTS</td><td>PER EN 60947-5-2</td></tr> <tr><td>OPERATING TEMPERATURE (10% DRIFT)</td><td>-25°C to +70°C (-13°F to +158°F)</td></tr> <tr><td>OPERATING TEMPERATURE (15% DRIFT)</td><td>-30°C to +85°C (-22°F to +185°F)</td></tr> <tr><td>ENCLOSURE</td><td>MEETS NEMA 1, 3, 4, 6, 13 AND IEC IP67</td></tr> <tr><td>SHOCK</td><td>30 g, 11 ms</td></tr> <tr><td>VIBRATION</td><td>55 Hz, 1 mm AMPLITUDE (IN ALL 3 PLANES)</td></tr> <tr><td>LED FUNCTION</td><td>RED: OUTPUT ENERGIZED</td></tr> <tr><td>RATED OPERATING DISTANCE(Sn)</td><td>8 mm = .315" (NOMINAL)</td></tr> <tr><td>SWITCHING FREQUENCY</td><td>2000 Hz</td></tr> <tr><td>REPEATABILITY</td><td>≤2% of RATED OPERATING DISTANCE</td></tr> <tr><td>EMBEDDABLE (SHIELDED)</td><td>NO</td></tr> </table>		OPERATING VOLTAGE	10-30 VDC	RIPPLE	≤10%	DIFFERENTIAL TRAVEL (HYSTERESIS)	3-15% (5% TYPICAL)	VOLTAGE DROP ACROSS CONDUCTING SENSOR	≤1.8 V at 200 mA	OUTPUT FUNCTION	NORMALLY OPEN 3-WIRE DC SELF-CONTAINED	TTL COMPATIBLE	NO	SHORT-CIRCUIT PROTECTED	YES	TRIGGER CURRENT FOR OVERLOAD PROTECTION	≥220 mA	CONTINUOUS LOAD CURRENT	≤200 mA	OFF-STATE (LEAKAGE) CURRENT	<100 uA	NO-LOAD CURRENT	≤15 mA	TIME DELAY BEFORE AVAILABILITY	≤8 ms	POWER-ON EFFECT PROTECTION	PER IEC 947-5-2	REVERSE POLARITY PROTECTION	INCORPORATED	WIRE-BREAK PROTECTION	INCORPORATED	PROTECTION AGAINST TRANSIENTS	PER EN 60947-5-2	OPERATING TEMPERATURE (10% DRIFT)	-25°C to +70°C (-13°F to +158°F)	OPERATING TEMPERATURE (15% DRIFT)	-30°C to +85°C (-22°F to +185°F)	ENCLOSURE	MEETS NEMA 1, 3, 4, 6, 13 AND IEC IP67	SHOCK	30 g, 11 ms	VIBRATION	55 Hz, 1 mm AMPLITUDE (IN ALL 3 PLANES)	LED FUNCTION	RED: OUTPUT ENERGIZED	RATED OPERATING DISTANCE(Sn)	8 mm = .315" (NOMINAL)	SWITCHING FREQUENCY	2000 Hz	REPEATABILITY	≤2% of RATED OPERATING DISTANCE	EMBEDDABLE (SHIELDED)	NO
OPERATING VOLTAGE	10-30 VDC																																																						
RIPPLE	≤10%																																																						
DIFFERENTIAL TRAVEL (HYSTERESIS)	3-15% (5% TYPICAL)																																																						
VOLTAGE DROP ACROSS CONDUCTING SENSOR	≤1.8 V at 200 mA																																																						
OUTPUT FUNCTION	NORMALLY OPEN 3-WIRE DC SELF-CONTAINED																																																						
TTL COMPATIBLE	NO																																																						
SHORT-CIRCUIT PROTECTED	YES																																																						
TRIGGER CURRENT FOR OVERLOAD PROTECTION	≥220 mA																																																						
CONTINUOUS LOAD CURRENT	≤200 mA																																																						
OFF-STATE (LEAKAGE) CURRENT	<100 uA																																																						
NO-LOAD CURRENT	≤15 mA																																																						
TIME DELAY BEFORE AVAILABILITY	≤8 ms																																																						
POWER-ON EFFECT PROTECTION	PER IEC 947-5-2																																																						
REVERSE POLARITY PROTECTION	INCORPORATED																																																						
WIRE-BREAK PROTECTION	INCORPORATED																																																						
PROTECTION AGAINST TRANSIENTS	PER EN 60947-5-2																																																						
OPERATING TEMPERATURE (10% DRIFT)	-25°C to +70°C (-13°F to +158°F)																																																						
OPERATING TEMPERATURE (15% DRIFT)	-30°C to +85°C (-22°F to +185°F)																																																						
ENCLOSURE	MEETS NEMA 1, 3, 4, 6, 13 AND IEC IP67																																																						
SHOCK	30 g, 11 ms																																																						
VIBRATION	55 Hz, 1 mm AMPLITUDE (IN ALL 3 PLANES)																																																						
LED FUNCTION	RED: OUTPUT ENERGIZED																																																						
RATED OPERATING DISTANCE(Sn)	8 mm = .315" (NOMINAL)																																																						
SWITCHING FREQUENCY	2000 Hz																																																						
REPEATABILITY	≤2% of RATED OPERATING DISTANCE																																																						
EMBEDDABLE (SHIELDED)	NO																																																						
																																																							

**NOTE
PRELIMINARY
SPECIFICATIONS**

NOTES:

1. UPROX HAS WELD FIELD IMMUNITY, SENSOR IS SUITABLE FOR USE ON RESISTANCE MACHINES.

RELATED DOCUMENTS 1. 2. 3. 4.	3RD ANGLE PROJECTION 	THIS DOCUMENT IS PROPERTY OF TURCK INC. USE OF THIS DOCUMENT WITHOUT WRITTEN PERMISSION IS PROHIBITED.		 3000 CAMPUS DRIVE MINNEAPOLIS, MN 55441 1-800-544-7769 (763) 553-7300 (763) 553-0708 fax turck.com	
MATERIAL BRASS BARREL	TOLERANCES UNLESS OTHERWISE SPECIFIED .X ±0.02 .XX ±0.01 .XXX ±0.005 ANGLES ±1°	DRFT CBM DSGN SCALE NONE	DATE 09/03/99 UNIT OF MEASUREMENT INCH [MILLIMETER]	DESCRIPTION Ni 8U-M12-AP6X-H1141	
FINISH COPPER/NICKEL CHROME PLATING	ALL MILLIMETER DIMENSIONS ARE REFERENCE ONLY	DO NOT SCALE THIS DRAWING		IDENTIFICATION NO. M1644140	REV P2
P2 REV DESCRIPTION	CBM 09/03/99 BY DATE ECO NO.	FILE: M1644140		SHEET 1 OF 1	