
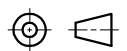


**NOTE  
PRELIMINARY  
SPECIFICATIONS**

**SOURCE DRAWING - FOR REFERENCE ONLY**

RELATED DOCUMENTS		3RD ANGLE PROJECTION		THIS DOCUMENT IS PROPERTY OF TURCK INC. USE OF THIS DOCUMENT WITHOUT WRITTEN PERMISSION IS PROHIBITED.		 3000 CAMPUS DRIVE MINNEAPOLIS, MN 55441 1-800-544-7769 (763) 553-7300 (763) 553-0708 fax turck.com	
1. 2. 3. 4.				DRFT IK	DATE 08/23/00	DESCRIPTION PCV-N1/2 A4	
MATERIAL 316 STAINLESS STEEL		TOLERANCES UNLESS OTHERWISE SPECIFIED		DSGN	SCALE 1=1.0	IDENTIFICATION NO. M6835013	
FINISH		.X ±0.02 .XX ±0.01 .XXX ±0.005 ANGLES ±1° ALL MILLIMETER DIMENSIONS ARE REFERENCE ONLY		UNIT OF MEASUREMENT <b>INCH [ MILLIMETER ]</b>		REV P1	
P1		IK	08/23/00	DO NOT SCALE THIS DRAWING		FILE: M6835013	
REV	DESCRIPTION	BY	DATE	ECO NO.	SHEET 1 OF 1		

P1		IK	08/23/00	
REV	DESCRIPTION	BY	DATE	ECO NO.