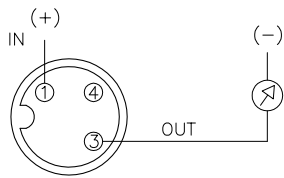


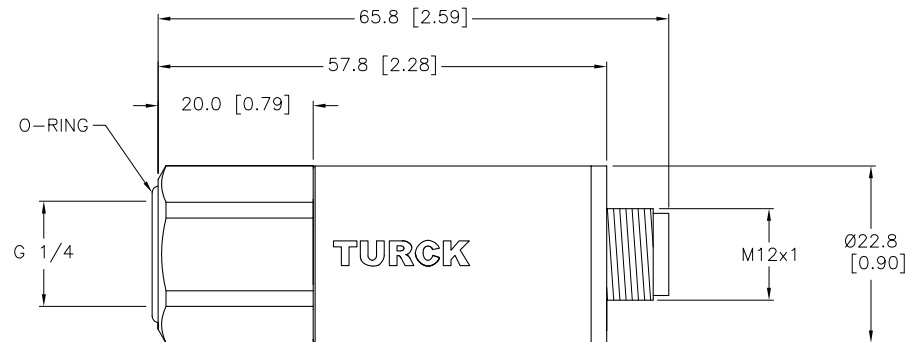
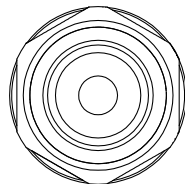
WIRING DIAGRAM



2-WIRE (4-20mA)

SPECIFICATIONS

OPERATING RANGE	0-10 BAR/0-145 Psi
PERMISSIBLE OVERPRESSURE	25 BAR/362.5 Psi
ACCURACY	≤0.3% FULL SCALE
MEDIUM TEMPERATURE	-40°C to +150°C (-40°F to +302°F)
OPERATING VOLTAGE	8-33 VDC
OUTPUT	4-20 mA
CURRENT CONSUMPTION	≤20 mA
DYNAMIC RESPONSE	< 2 ms
SHORT CIRCUIT PROTECTION	YES
REVERSE POLARITY PROTECTION	YES
DEGREE OF PROTECTION	IP 67
HOUSING MATERIAL	SST 1.4305 (AISI 303)
ELECTRICAL CONNECTION	M12x1
FLUID CONNECTION	G 1/4
SHOCK RESISTANCE	75G, 11 ms per IEC 68-2-27
VIBRATION RESISTANCE	20G, 15 mm per IEC 68-2-6
DIAPHRAGM MATERIAL	Al ₂ O ₃ CERAMIC
O-RING MATERIAL	VITON



RELATED DOCUMENTS		3RD ANGLE PROJECTION		THIS DRAWING IS PROPERTY OF TURCK INC. USE OF THIS DOCUMENT WITHOUT WRITTEN PERMISSION IS PROHIBITED.		TURCK INC High Technology Sensors and Automation Controls 3000 CAMPUS DRIVE MINNEAPOLIS, MN 55441 1-800-544-7769 (763) 553-7300 (763) 553-0708 fax turck.com	
1.			ALL DIMENSIONS DISPLAYED ON THIS DRAWING ARE FOR REFERENCE ONLY	DRFT	RDS	DATE	06/20/03
2.				DSGN	RT	SCALE	1=1.0
3.		MATERIAL		UNIT OF MEASUREMENT		DESCRIPTION	
4.		SEE NOTES		MILLIMETER [INCH]		PT010R-11-LI3-H1131	
FINISH		SEE NOTES		CONTACT TURCK FOR MORE INFORMATION		IDENTIFICATION NO.	
						H6831432	
C		UPDATE SPECS	RDS	05/07/07	17868	REV	
REV		DESCRIPTION	BY	DATE	ECO NO.	C	
DO NOT SCALE THIS DRAWING						FILE: H6831432	
						SHEET 1 OF 1	