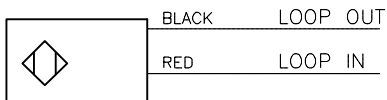


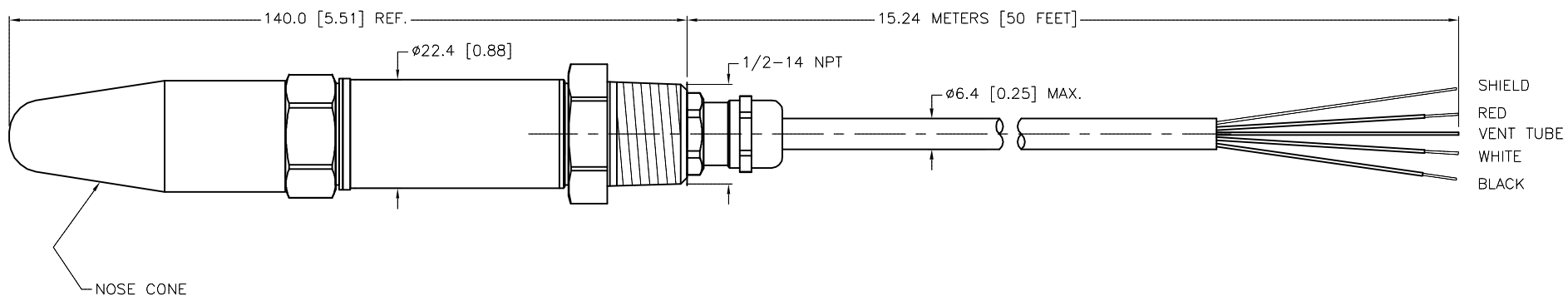
WIRING DIAGRAM



2-WIRE, LOOP POWERED

SPECIFICATIONS

OPERATING RANGE	0-7.5 psi
PERMISSIBLE OVERPRESSURE	2x RATED PRESSURE
BURST PRESSURE	5x RATED PRESSURE OR 1250 psi (WHICHEVER IS LESS)
ACCURACY	<± 0.25% BFUL (TYP.)
STABILITY (1 YEAR)	<± 0.25% FS (TYP.)
OPERATING TEMPERATURE	-40°C to +85°C (-40°F to +185°F)
STORAGE TEMPERATURE	-40°C to +100°C (-40°F to +212°F)
COMPENSATED RANGE	0°C to +55°C (+30°F to +130°F)
TC ZERO	<± 1.5% FS
TC SPAN	<± 1.5% FS
OPERATING VOLTAGE	10-28 VDC
OUTPUT	4-20 mA
SENSOR HOUSING MATERIAL	304 STAINLESS STEEL
DIAPHRAGM MATERIAL	316 STAINLESS STEEL
CABLE GLAND MATERIAL	KYNAR/VITON
ELECTRICAL CONNECTION	HYTREL CABLE
FLUID CONNECTION	NOSE CONE
SHOCK RESISTANCE	100G, 11 ms, 1/2 Sine
VIBRATION RESISTANCE	10G, PEAK, 20-2000 Hz
PROTECTION	IP68



SOURCE DRAWING - FOR REFERENCE ONLY

RELATED DOCUMENTS 1. 2. 3. 4.	3RD ANGLE PROJECTION 	THIS DRAWING IS CONFIDENTIAL AND THE PROPERTY OF TURCK INC. USE OF THIS DOCUMENT WITHOUT WRITTEN PERMISSION IS PROHIBITED.		3000 CAMPUS DRIVE MINNEAPOLIS, MN 55441 1-800-544-7769 (763) 553-7300 (763) 553-0708 fax turck.com	
	MATERIAL SENSOR: 316L CABLE: KYNAR	ALL DIMENSIONS DISPLAYED ON THIS DRAWING ARE FOR REFERENCE ONLY	DRFT KMY APVD K.H.	DATE 04/19/12 SCALE 1=1.3	DESCRIPTION PT7.5PG-4510-23-LI3-CAH/D811 50FT
FINISH	CONTACT TURCK FOR MORE INFORMATION	UNIT OF MEASUREMENT MILLIMETER [INCH]		IDENTIFICATION NO. TA6833570	REV B
B UPDATE SENSOR AND SPECS RDS 11/26/12 40410	REV DESCRIPTION BY DATE ECO NO.	DO NOT SCALE THIS DRAWING		FILE: TA6833570	SHEET 1 OF 1