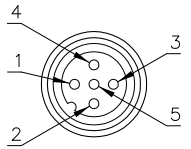
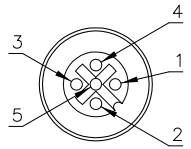
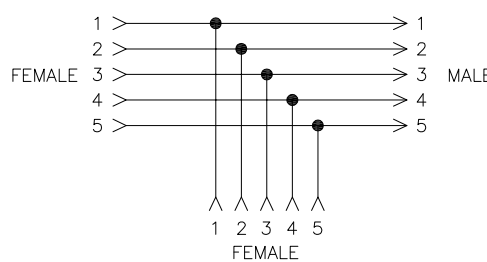
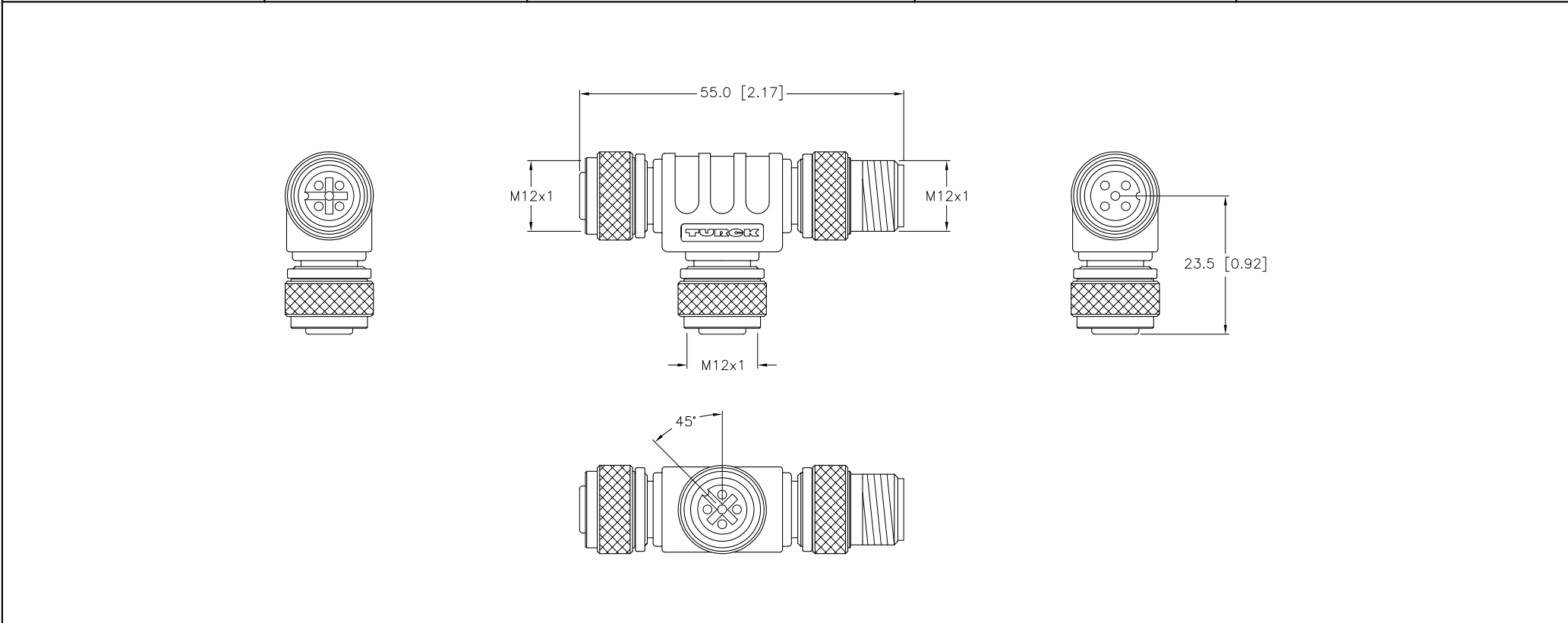
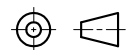


MALE END VIEW	FEMALE END VIEW	WIRING DIAGRAM	SPECIFICATIONS																	
			<table border="1"> <tr><td>CONTACT CARRIER MATERIAL/COLOR</td><td>PA 6 (NYLON)/BLACK</td></tr> <tr><td>MOLDED HEAD MATERIAL/COLOR</td><td>TPU/BLUE</td></tr> <tr><td>CONTACT MATERIAL/PLATING</td><td>BRASS, GOLD-PLATED</td></tr> <tr><td>COUPLING NUT MATERIAL/PLATING</td><td>BRASS, NICKEL-PLATED</td></tr> <tr><td>RATED CURRENT [A]</td><td>4.0 A</td></tr> <tr><td>RATED VOLTAGE [V]</td><td>60 V</td></tr> <tr><td>TEMPERATURE RANGE</td><td>-40°C to +80°C (-40°F to +176°F)</td></tr> <tr><td>PROTECTION CLASS</td><td>MEETS NEMA 1,3,4,6 AND IEC IP67</td></tr> </table>	CONTACT CARRIER MATERIAL/COLOR	PA 6 (NYLON)/BLACK	MOLDED HEAD MATERIAL/COLOR	TPU/BLUE	CONTACT MATERIAL/PLATING	BRASS, GOLD-PLATED	COUPLING NUT MATERIAL/PLATING	BRASS, NICKEL-PLATED	RATED CURRENT [A]	4.0 A	RATED VOLTAGE [V]	60 V	TEMPERATURE RANGE	-40°C to +80°C (-40°F to +176°F)	PROTECTION CLASS	MEETS NEMA 1,3,4,6 AND IEC IP67	
CONTACT CARRIER MATERIAL/COLOR	PA 6 (NYLON)/BLACK																			
MOLDED HEAD MATERIAL/COLOR	TPU/BLUE																			
CONTACT MATERIAL/PLATING	BRASS, GOLD-PLATED																			
COUPLING NUT MATERIAL/PLATING	BRASS, NICKEL-PLATED																			
RATED CURRENT [A]	4.0 A																			
RATED VOLTAGE [V]	60 V																			
TEMPERATURE RANGE	-40°C to +80°C (-40°F to +176°F)																			
PROTECTION CLASS	MEETS NEMA 1,3,4,6 AND IEC IP67																			



SOURCE DRAWING - FOR REFERENCE ONLY

NOTES: DROP CONNECTOR KEYED 45 DEGREES CLOCKWISE FROM NORMAL

RELATED DOCUMENTS 1. 8032743 2. 3. 4.	3RD ANGLE PROJECTION 	THIS DRAWING IS PROPERTY OF TURCK INC. USE OF THIS DOCUMENT WITHOUT WRITTEN PERMISSION IS PROHIBITED.	<div style="display: flex; justify-content: space-between;"> <div data-bbox="1470 1307 1848 1372"> TURCK INC <i>High Technology Sensors and Automation Controls</i> </div> <div data-bbox="1858 1282 2058 1396"> 3000 CAMPUS DRIVE MINNEAPOLIS, MN 55441 1-800-544-7769 (763) 553-7300 (763) 553-0708 fax turck.com </div> </div>		
MATERIAL	ALL DIMENSIONS DISPLAYED ON THIS DRAWING ARE FOR REFERENCE ONLY	DRFT GC	DATE 09/02/04	DESCRIPTION RSC 2RKC 57/KS	
FINISH	CONTACT TURCK FOR MORE INFORMATION	UNIT OF MEASUREMENT MILLIMETER [INCH] DO NOT SCALE THIS DRAWING		IDENTIFICATION NO. E9017	REV B
B DRAWING PROCESSED AS PART OF ECO 33971	CBM 04/07/11 33971	FILE: E9017			
REV DESCRIPTION	BY DATE ECO NO.	SHEET 1 OF 1			