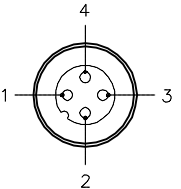
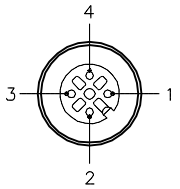
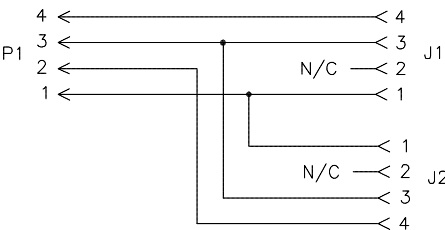
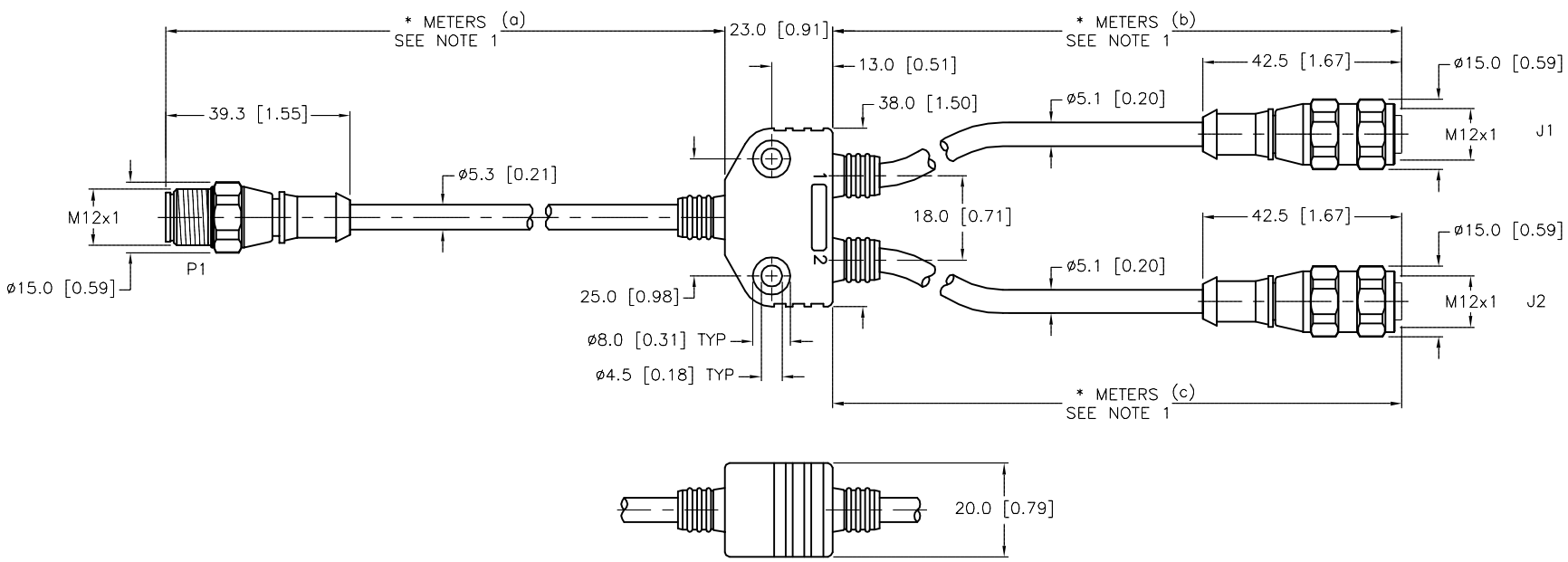


MALE END VIEW	FEMALE END VIEW	WIRING DIAGRAM	SPECIFICATIONS																							
			<table border="1"> <tr><td>CONTACT CARRIER MATERIAL</td><td>NYLON OR TPU</td></tr> <tr><td>MOLDED HEAD MATERIAL/COLOR</td><td>TPU/YELLOW</td></tr> <tr><td>CONTACT MATERIAL/PLATING</td><td>BRASS/GOLD</td></tr> <tr><td>COUPLING NUT MATERIAL/FINISH</td><td>STAINLESS STEEL/PASSIVATED</td></tr> <tr><td>RATED CURRENT [A]</td><td>4.0 A</td></tr> <tr><td>RATED VOLTAGE [V]</td><td>250 V</td></tr> <tr><td>OUTER JACKET MATERIAL/COLOR</td><td>PVC/GRAY</td></tr> <tr><td>CONDUCTOR INSULATION MATERIAL</td><td>PVC</td></tr> <tr><td>CONDUCTORS [AWG]</td><td>4x22 AWG (P1); 3x22 AWG (J1,J2)</td></tr> <tr><td>TEMPERATURE RATING</td><td>-40°C to +105°C (-40°F to +221°F)</td></tr> <tr><td>PROTECTION CLASS</td><td>MEETS NEMA 1,3,4,6P AND IEC IP67</td></tr> </table>	CONTACT CARRIER MATERIAL	NYLON OR TPU	MOLDED HEAD MATERIAL/COLOR	TPU/YELLOW	CONTACT MATERIAL/PLATING	BRASS/GOLD	COUPLING NUT MATERIAL/FINISH	STAINLESS STEEL/PASSIVATED	RATED CURRENT [A]	4.0 A	RATED VOLTAGE [V]	250 V	OUTER JACKET MATERIAL/COLOR	PVC/GRAY	CONDUCTOR INSULATION MATERIAL	PVC	CONDUCTORS [AWG]	4x22 AWG (P1); 3x22 AWG (J1,J2)	TEMPERATURE RATING	-40°C to +105°C (-40°F to +221°F)	PROTECTION CLASS	MEETS NEMA 1,3,4,6P AND IEC IP67	
CONTACT CARRIER MATERIAL	NYLON OR TPU																									
MOLDED HEAD MATERIAL/COLOR	TPU/YELLOW																									
CONTACT MATERIAL/PLATING	BRASS/GOLD																									
COUPLING NUT MATERIAL/FINISH	STAINLESS STEEL/PASSIVATED																									
RATED CURRENT [A]	4.0 A																									
RATED VOLTAGE [V]	250 V																									
OUTER JACKET MATERIAL/COLOR	PVC/GRAY																									
CONDUCTOR INSULATION MATERIAL	PVC																									
CONDUCTORS [AWG]	4x22 AWG (P1); 3x22 AWG (J1,J2)																									
TEMPERATURE RATING	-40°C to +105°C (-40°F to +221°F)																									
PROTECTION CLASS	MEETS NEMA 1,3,4,6P AND IEC IP67																									

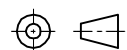


CABLE LENGTH	TOLERANCE*
ALL LENGTHS	+ 4% (OR 50mm) OF LENGTH - 0% (OR 0mm) OF LENGTH WHICHEVER IS GREATER
STRIP LENGTH	TOLERANCE*
0-7mm	±0.5mm
8-29mm	±1.0mm
30-49mm	±2.0mm
50-69mm	±3.0mm
70-100mm	±4.0mm
OVER 100mm	±5.0mm

* UNLESS OTHERWISE SPECIFIED

NOTES:
1. "*" INDICATES CABLE LENGTH IN METERS. CONTACT TURCK TO ORDER SPECIFIC LENGTHS.

SOURCE DRAWING - FOR REFERENCE ONLY

RELATED DOCUMENTS 1. 2. 3. 4.	3RD ANGLE PROJECTION 	THIS DRAWING IS CONFIDENTIAL AND THE PROPERTY OF TURCK INC. USE OF THIS DOCUMENT WITHOUT WRITTEN PERMISSION IS PROHIBITED.	<div style="text-align: right;"> TURCK IAC <i>High Technology Sensors and Automation Controls</i> </div> <div style="text-align: right;"> 3000 CAMPUS DRIVE MINNEAPOLIS, MN 55441 1-800-544-7769 (763) 553-7300 (763) 553-0708 fax turck.com </div>
MATERIAL SEE SPECIFICATIONS	ALL DIMENSIONS DISPLAYED ON THIS DRAWING ARE FOR REFERENCE ONLY	DRFT RDS DATE 11/30/06 APVD SCALE 1=1.5	DESCRIPTION VB2-RSV 4.4T-*/2RKV 4T-*/*(a) (b) (c)
FINISH SEE SPECIFICATIONS	CONTACT TURCK FOR MORE INFORMATION	UNIT OF MEASUREMENT MILLIMETER [INCH] DO NOT SCALE THIS DRAWING	IDENTIFICATION NO. REV G FILE: 777014966 SHEET 1 OF 1

G	UPDATE J1,J2 CABLE SPECIFICATIONS	KMY	05/23/14	44672
REV	DESCRIPTION	BY	DATE	ECO NO.