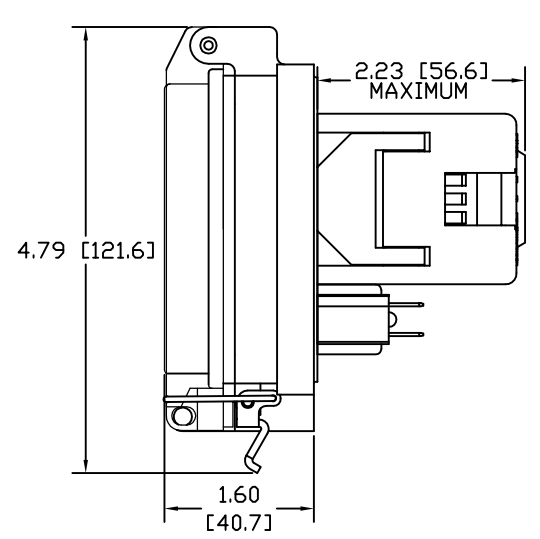
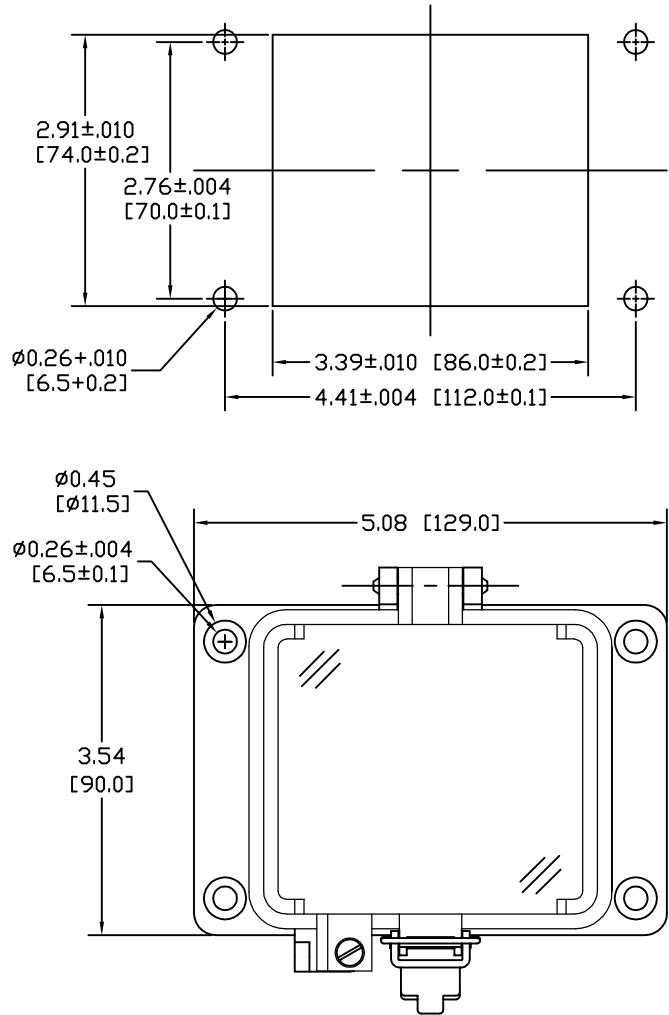


PANEL CUTOUT



NOTE:  
 1.) HOUSING INSERTS COMPONENT LOCATIONS ARE APPROXIMATE.  
 2.) HOUSINGS ARE UL RECOGNIZED TYPE 4 OTHER ENVIRONMENTAL RATINGS MAY APPLY.  
 3.) FINAL ASSEMBLIES: UL RECOGNIZED, CSA, AND CE MAY APPLY CONSULT FACTORY.  
 4.) COVERS: CLEAR, UL V0 FLAME RATING, & UV RATED.  
 GracePort(R) is a Registered Trademark of Grace Engineered Products, Inc.  
 Property of Grace Engineered Products, Inc.