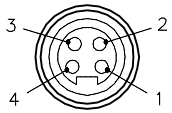


FEMALE END VIEW

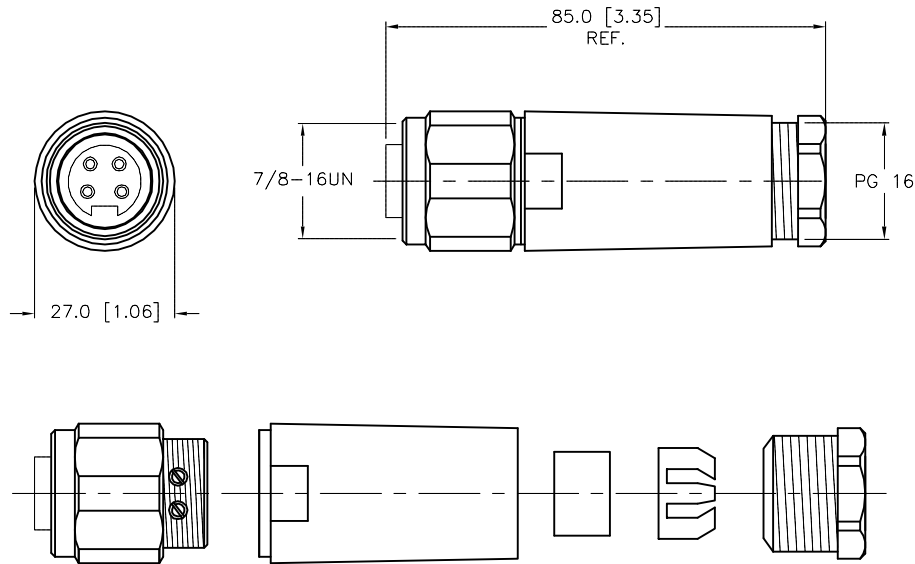


- 1 = BLUE (- VOLTAGE)
- 2 = BROWN (+ VOLTAGE)
- 3 = BARE (SHIELD)
- 4 = GREEN/YELLOW (GROUND)



SPECIFICATIONS

HOUSING MATERIAL/COLOR	GLASS FILLED NYLON/BLACK
CONTACT MATERIAL/PLATING	BRASS/GOLD
COUPLING NUT MATERIAL	STAINLESS STEEL
RATED CURRENT [A]	9.0 A
RATED VOLTAGE [V]	600 V
MAXIMUM WIRE SIZE	16 AWG
TERMINATION METHOD	SCREW TERMINAL
CABLE GRIP RANGE	PG 16 = 12-14mm
TEMPERATURE RATING	-40°C to +90°C (-40°F to +194°F)
PROTECTION CLASS	MEETS NEMA 1,3,4,6P AND IEC IP 67



SOURCE DRAWING - FOR REFERENCE ONLY

RELATED DOCUMENTS		3RD ANGLE PROJECTION		THIS DRAWING IS CONFIDENTIAL AND THE PROPERTY OF TURCK INC. USE OF THIS DOCUMENT WITHOUT WRITTEN PERMISSION IS PROHIBITED.		TURCK INC High Technology Sensors and Automation Controls 3000 CAMPUS DRIVE MINNEAPOLIS, MN 55441 1-800-544-7769 (763) 553-7300 (763) 553-0708 fax turck.com	
1.			DRFT	RDS	DATE	DESCRIPTION	
2.			DSGN	AA	05/14/07	BKV 4140-0/16	
3.		ALL DIMENSIONS DISPLAYED ON THIS DRAWING ARE FOR REFERENCE ONLY	UNIT OF MEASUREMENT			IDENTIFICATION NO.	
4.			MILLIMETER [INCH]			M6914544	
MATERIAL		CONTACT TURCK FOR MORE INFORMATION	DO NOT SCALE THIS DRAWING			REV	
SEE SPECIFICATIONS			FILE: M6914544			A	
FINISH		SEE SPECIFICATIONS		FILE: M6914544		SHEET 1 OF 1	

A	DRAWING RELEASE	RDS	05/14/07	
REV	DESCRIPTION	BY	DATE	ECO NO.