
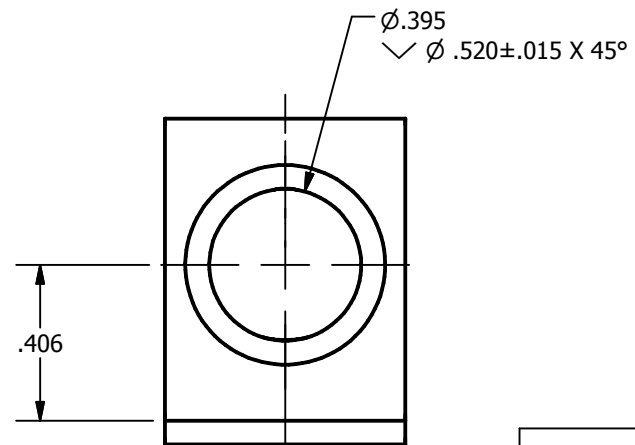
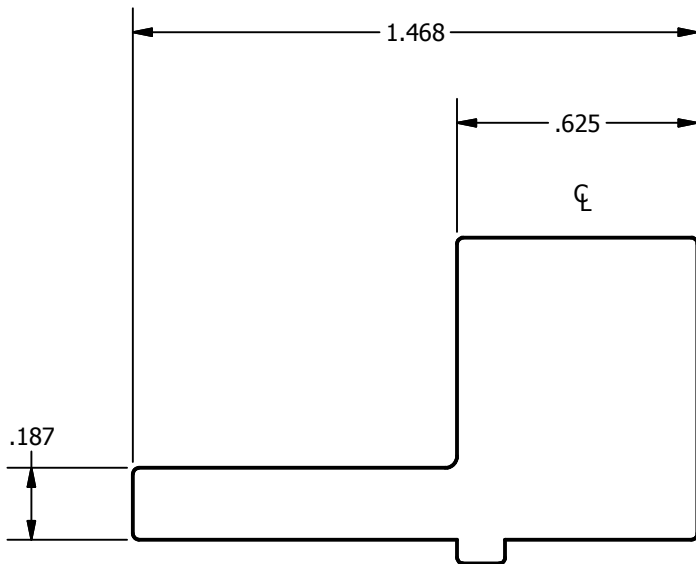
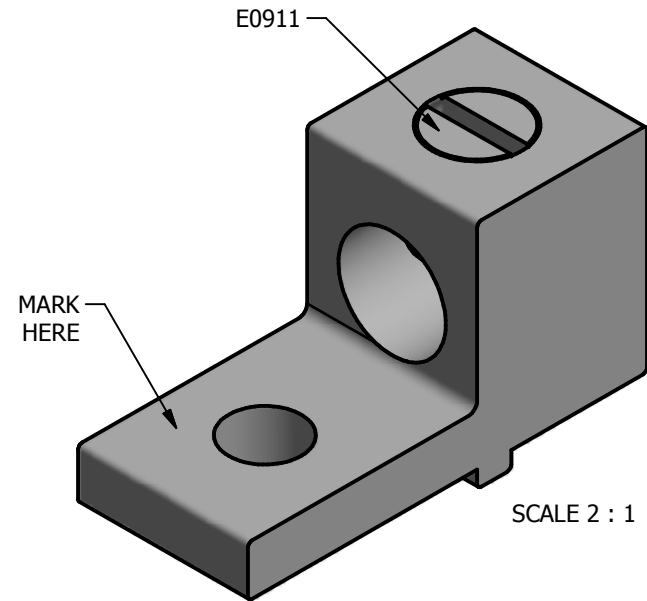
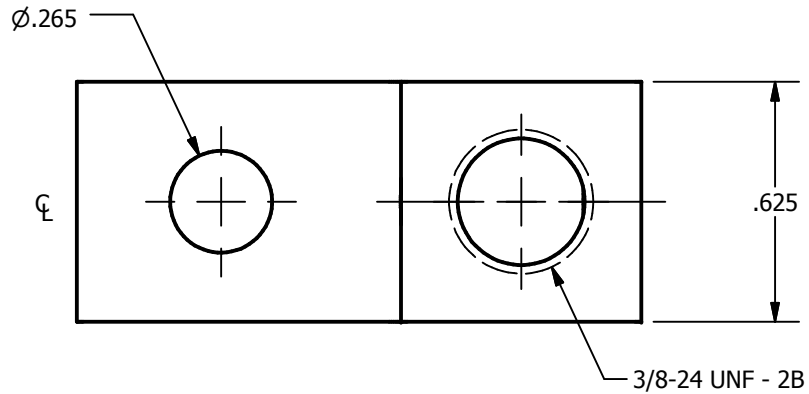


SCREW: E0911	MATERIAL: ALUMINUM	REV: F	<b>ILSCO</b> connections matter 800-776-9775 www.ilsco.com	
CAT. NO.: ATTA-1/0-14	PLATING: EL-TIN	DRAWN BY: CLH	SCALE: 2:1	
INFORMATION SHEET: FORM 1	MARKING: ILSCO, D957, 1/0-14, AL9CU 	DATE: 5/21/2008	SIZE: A	DWG. NO. <b>D0957</b> -23 -24
				SHEET: 1 OF 1



DEVIATION	SCREW ASSEMBLY
C23T	FLUSH TO TOP
C24T	SNUG TO BOTTOM