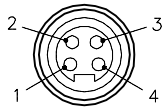


FEMALE END VIEW

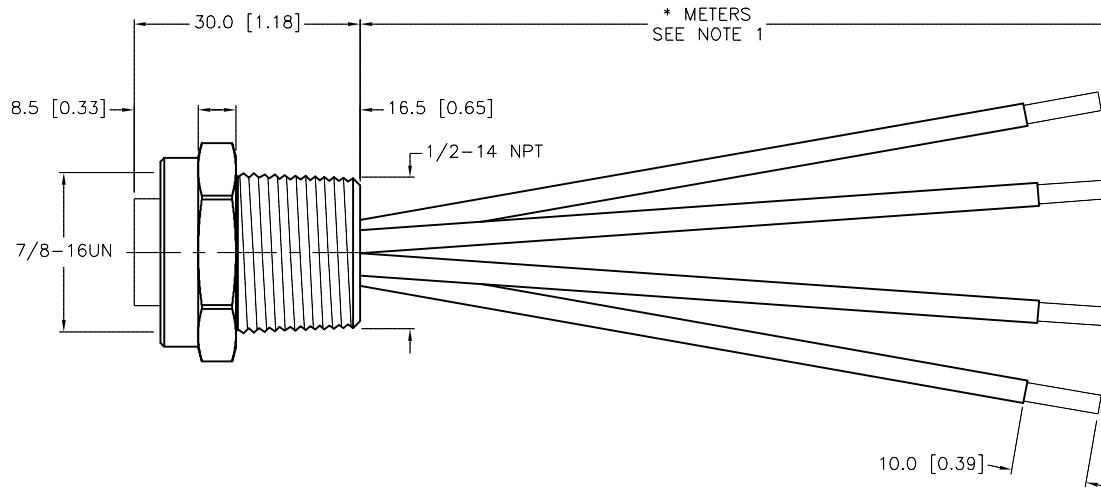
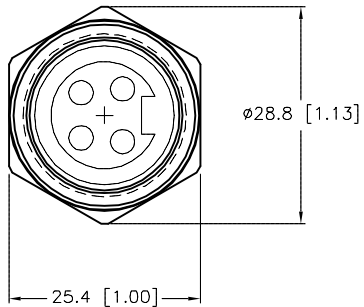


- 1 = BLACK
- 2 = WHITE
- 3 = RED
- 4 = GREEN/YELLOW



SPECIFICATIONS

CONTACT CARRIER MATERIAL	PVC
CONTACT MATERIAL/PLATING	BRASS/GOLD
HOUSING/LOCKNUT MATERIAL/PLATING	BRASS/NICKEL
RATED CURRENT [A]	18.0 A
RATED VOLTAGE [V]	600 VAC
CONDUCTOR INSULATION MATERIAL	PVC
NUMBER OF CONDUCTORS [AWG]	4x14 AWG
TEMPERATURE RANGE	-40°C to +105°C (-40°F to +221°F)
PROTECTION CLASS	MEETS NEMA 1,3,4,6P AND IEC IP67
APPROVALS AND CERTIFICATIONS	UL 2237, CE



* METERS
SEE NOTE 1

CABLE LENGTH	TOLERANCE*
ALL LENGTHS	+ 4% (OR 50mm) OF LENGTH - 0% (OR 0mm) OF LENGTH WHICHEVER IS GREATER
STRIP LENGTH	TOLERANCE*
0-7mm	±0.5mm
8-29mm	±1.0mm
30-49mm	±2.0mm
50-69mm	±3.0mm
70-100mm	±4.0mm
OVER 100mm	±5.0mm

* UNLESS OTHERWISE SPECIFIED

NOTES:

1. "*" INDICATES LEAD LENGTH IN METERS. CONTACT TURCK TO ORDER SPECIFIC LENGTHS.

CAUTION:
RISK OF ELECTRICAL SHOCK
DO NOT DISCONNECT UNDER LOAD

SOURCE DRAWING - FOR REFERENCE ONLY

RELATED DOCUMENTS	3RD ANGLE PROJECTION	THIS DRAWING IS CONFIDENTIAL AND THE PROPERTY OF TURCK INC. USE OF THIS DOCUMENT WITHOUT WRITTEN PERMISSION IS PROHIBITED.	<p>3000 CAMPUS DRIVE MINNEAPOLIS, MN 55441 1-800-544-7769 (763) 553-7300 (763) 553-0708 fax www.turck.us</p>		
1.		DRFT	DATE 02/09/09	DESCRIPTION RKF 44-*M/NPT	
2.		RDS	SCALE 1=1.0		
3.		MATERIAL	UNIT OF MEASUREMENT MILLIMETER [INCH]		IDENTIFICATION NO.
4.		SEE SPECIFICATIONS	CONTACT TURCK FOR MORE INFORMATION		REV J
FINISH		DO NOT SCALE THIS DRAWING		FILE: 777023412	
J	UPDATE APPROVALS AND CERTIFICATIONS	RDS	10/08/19	75305	
REV	DESCRIPTION	BY	DATE	ECO NO.	