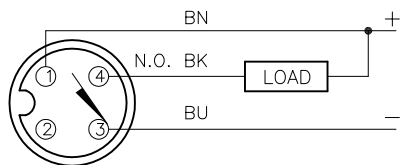


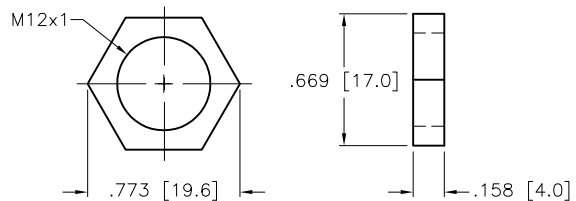
WIRING DIAGRAM



OUTPUT: AN6X

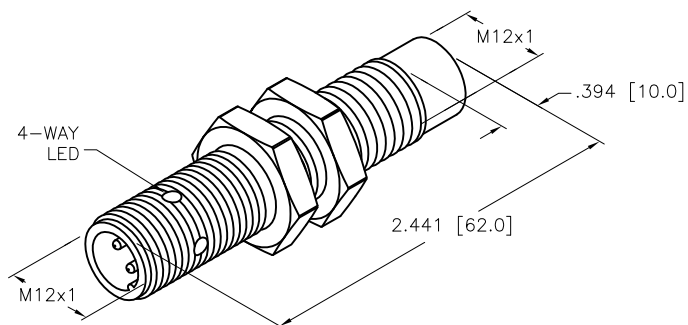
SHORT-CIRCUIT AND OVERLOAD PROTECTED

LOCKNUT LN-M12



SPECIFICATIONS

RATED OPERATING DISTANCE	8.0mm [.315"]
MOUNTING CONDITION	NON-FLUSH
REPEATABILITY	≤ 2%
TEMPERATURE DRIFT	≤ ±10%
HYSTERESIS	3-15%
OPERATING TEMPERATURE	-25°C to +70°C (-13°F to +158°F)
OPERATING VOLTAGE	10-30 VDC
RESIDUAL RIPPLE	≤ 10%
RATED OPERATIONAL CURRENT	≤ 200 mA
NO-LOAD CURRENT	≤ 15 mA
RESIDUAL CURRENT	≤ 0.1 mA
RATED INSULATION VOLTAGE	≤ 0.5 kV
SHORT-CIRCUIT PROTECTION	YES
VOLTAGE DROP	≤ 1.8 V
WIRE BREAKAGE PROTECTION	INCORPORATED
REVERSE POLARITY PROTECTION	INCORPORATED
OUTPUT FUNCTION	3-WIRE, NORMALLY OPEN, NPN
SWITCHING FREQUENCY	≤ 1.5 kHz
HOUSING MATERIAL	BRASS, CHROME-PLATED
MATERIAL ACTIVE FACE	PLASTIC, PA12-GF20
CONNECTION	M12x1
VIBRATION RESISTANCE	55 Hz (1mm)
SHOCK RESISTANCE	30 g, (11 ms)
PROTECTION	IP 67
SWITCHING STATE	LED: YELLOW



SOURCE DRAWING - FOR REFERENCE ONLY

RELATED DOCUMENTS 1. 2. 3. 4.	3RD ANGLE PROJECTION	THIS DRAWING IS CONFIDENTIAL AND THE PROPERTY OF TURCK INC. USE OF THIS DOCUMENT WITHOUT WRITTEN PERMISSION IS PROHIBITED.	3000 CAMPUS DRIVE MINNEAPOLIS, MN 55441 1-800-544-7769 (763) 553-7300 (763) 553-0708 fax www.turck.us	
			DRFT RWC	DATE 12/10/10
MATERIAL SEE SPECIFICATIONS	ALL DIMENSIONS DISPLAYED ON THIS DRAWING ARE FOR REFERENCE ONLY	APVD AF	SCALE 1=1.0	IDENTIFICATION NO. 4611383
FINISH SEE SPECIFICATIONS		UNIT OF MEASUREMENT <b>INCH [ MILLIMETER ]</b>		
E UPDATE ID NUMBER PER HARMONIZATION PROJECT	CBM 04/25/18	DO NOT SCALE THIS DRAWING		FILE: 4611383
REV DESCRIPTION	BY DATE ECO NO.			SHEET 1 OF 1

E	UPDATE ID NUMBER PER HARMONIZATION PROJECT	CBM	04/25/18	
REV	DESCRIPTION	BY	DATE	ECO NO.