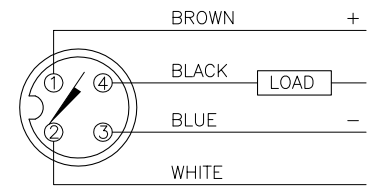


WIRING DIAGRAM

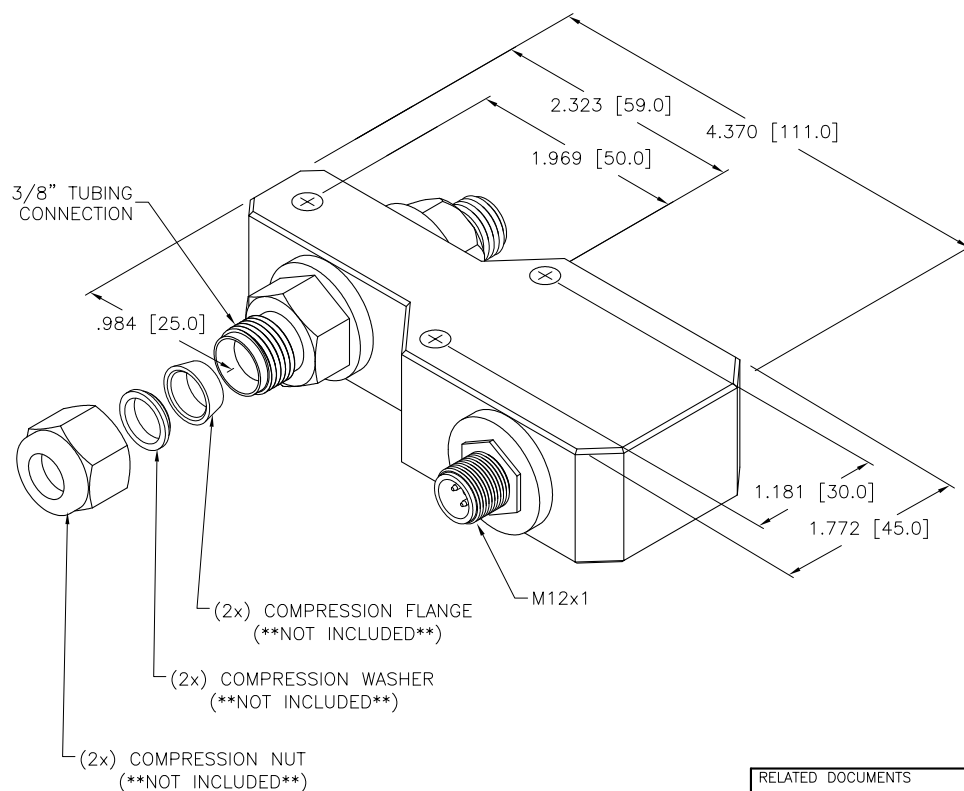


OUTPUT: ARX

SHORT-CIRCUIT AND OVERLOAD PROTECTED

SPECIFICATIONS

OPERATING VOLTAGE	24 VDC (±10%)
CURRENT CONSUMPTION	< 50 mA
OUTPUT	RELAY
SWITCHING CURRENT	1.0 A @ 60 VDC
ELECTRICAL CONNECTION	M12x1 EUROFAST
TIME DELAY BEFORE AVAILABILITY	5-15 sec. (8 sec. TYPICAL)
RESPONSE TIME	0.5-3 sec. (2 sec. TYPICAL)
FLOW DETECTION RANGE	WATER: 0.01-6 Liters/min.
AMBIENT TEMPERATURE	0°C TO +60°C (+32°F TO +140°F)
MEDIUM TEMPERATURE	-25°C TO +80°C (-13°F TO +176°F)
TEMPERATURE GRADIENT	MAX 400°C/MIN (752°F/MIN)
HOUSING MATERIAL	PBT
ENCLOSURE	MEETS IEC IP67
PROCESS CONNECTION	3/8 TUBING CONNECTION
WETTED MATERIAL	316 Ti
MAX. PRESSURE	20 BAR



NOTES:

- MATERIALS:
HOUSING - PBT PLASTIC
CONNECTOR - CHROME PLATED BRASS
SENSOR - 316 STAINLESS STEEL WETTED PARTS
- HARDWARE KIT: FSV-SS 3/8 KIT IS RECOMMENDED.

RELATED DOCUMENTS 1. 2. 3. 4.	3RD ANGLE PROJECTION 	THIS DRAWING IS PROPERTY OF TURCK INC. USE OF THIS DOCUMENT WITHOUT WRITTEN PERMISSION IS PROHIBITED.		TURCK INC High Technology Sensors and Automation Controls 3000 CAMPUS DRIVE MINNEAPOLIS, MN 55441 1-800-544-7769 (763) 553-7300 (763) 553-0708 fax turck.com	
	MATERIAL SEE NOTES	DRFT RDS DSGN -	DATE 08/11/04 SCALE 1=1.5	DESCRIPTION FCI-D08A4P-ARX-H1140/D038	
FINISH SEE NOTES	ALL DIMENSIONS DISPLAYED ON THIS DRAWING ARE FOR REFERENCE ONLY	UNIT OF MEASUREMENT INCH [MILLIMETER]		IDENTIFICATION NO. M6870647	REV B
DO NOT SCALE THIS DRAWING		FILE: M6870647		SHEET 1 OF 1	

B	UPDATE DRAWING PER ECO	RDS	09/06/07	18846
REV	DESCRIPTION	BY	DATE	ECO NO.