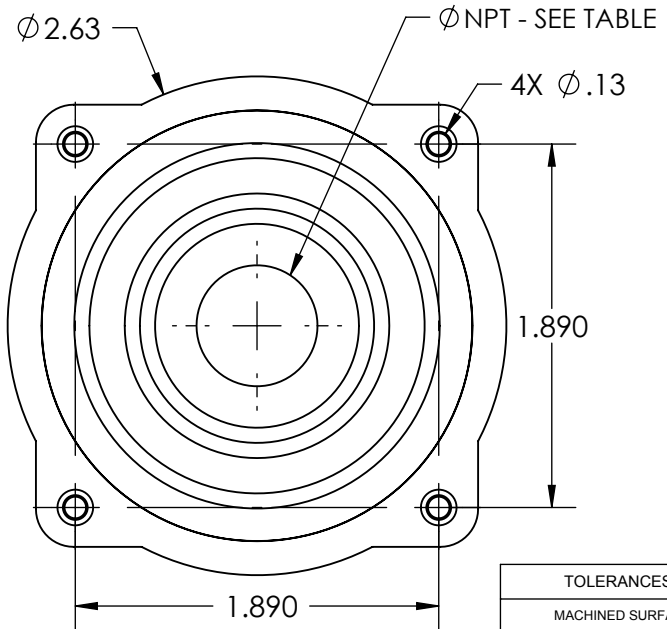
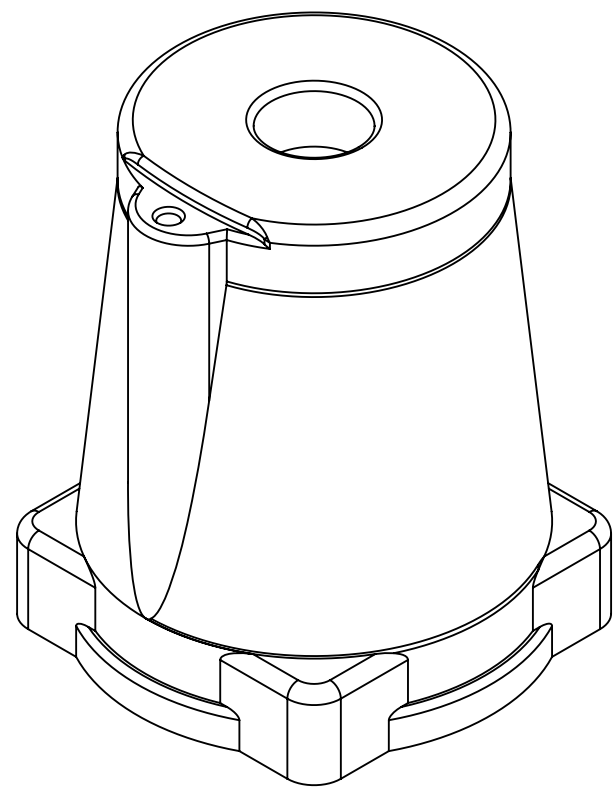
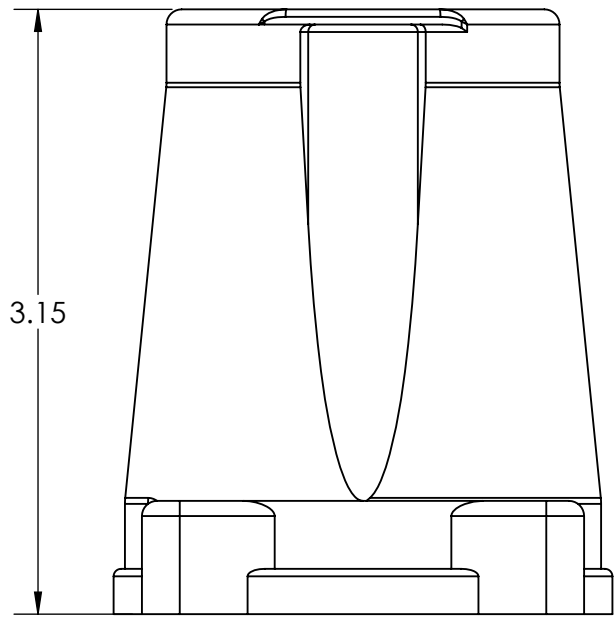


This drawing is the property of MELTRIC Corporation, Franklin (Milwaukee) Wisconsin, USA. Any unauthorized copying of this drawing by any means, ENG/RD/06 REV: 20 ISSUED DATE: 11/15/11 or disclosure of its contents to any person not authorized by MELTRIC Corporation or its agents to receive it, is strictly prohibited.



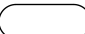
PART NUMBER	THREAD SIZE
512PON05	1/2" NPT
512PON07	3/4" NPT
512PON10	1" NPT
512PON12	1 1/4" NPT

TOLERANCES UNLESS OTHERWISE SPECIFIED

MACHINED SURFACES #error: broken link
GROUND SURFACES #error: broken link
ANGLE TOLERANCE ±1°
REMOVE BURRS & SHARP EDGES TO .015 MAX.

ENGLISH

0.X ±0.05
0.XX ±0.01
0.XXX ±0.005

 DIMENSIONS SHOWN IN OVALS ARE INSPECTION DIMENSIONS.

MELTRIC
A COMPANY OF MARECHAL ELECTRIC

DRAWN	APPROVED	DRAWING TITLE:	
DATE:		SCALE	MATERIAL:
SHEET:		NTS	BLUE POLY
1 OF 1	PART NUMBER		REVISION
512PONxx			

1
2
3
4
5
6