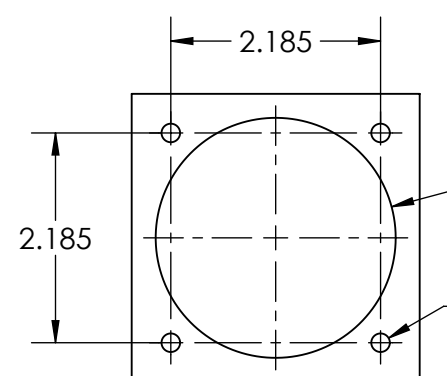
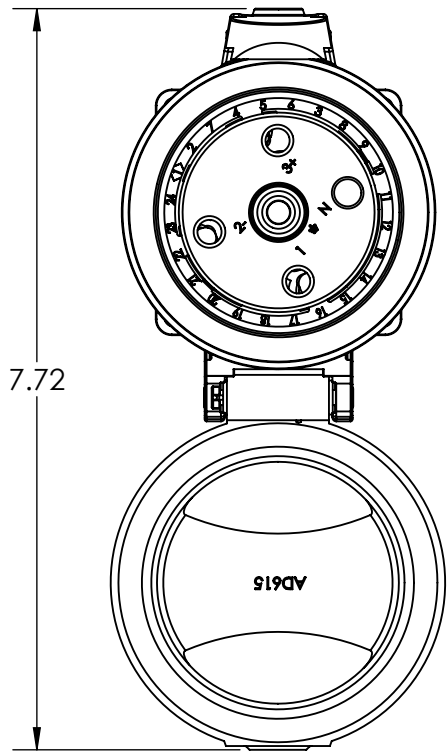
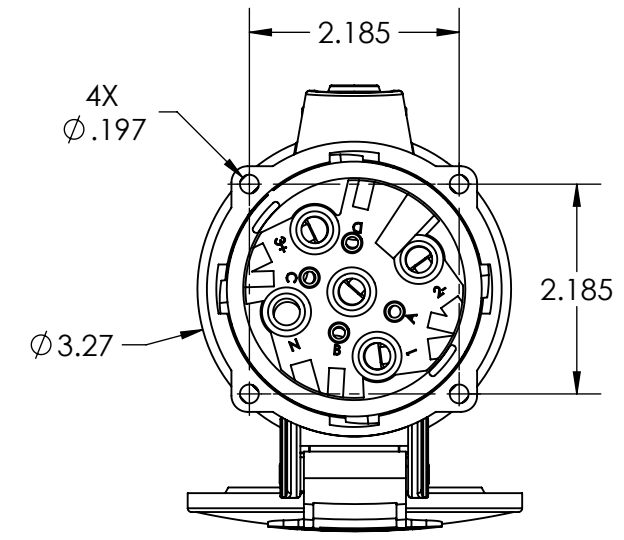
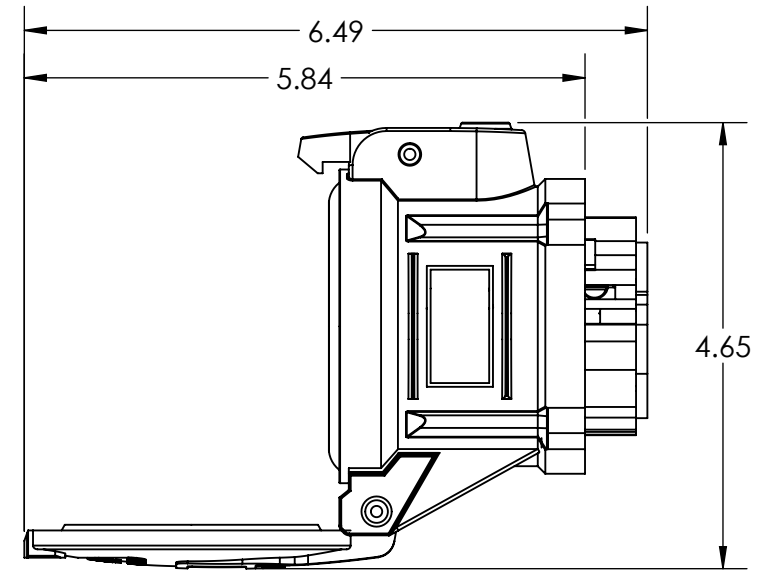
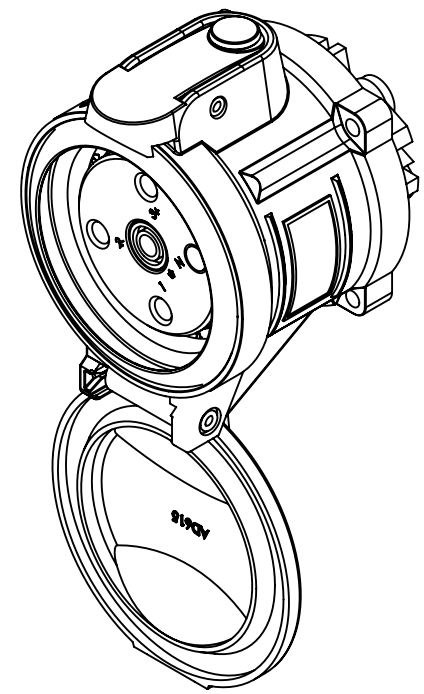
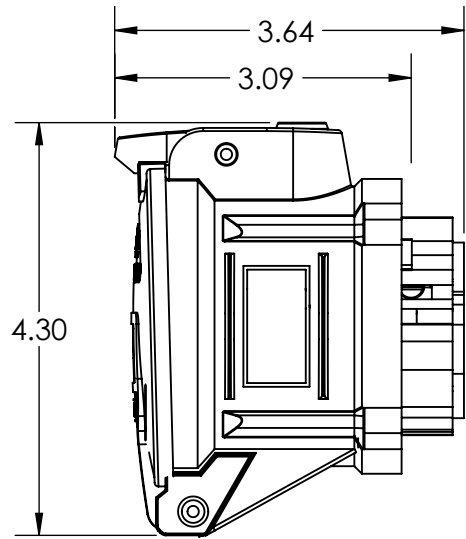


This drawing is the property of MELTRIC Corporation, Franklin (Milwaukee), Wisconsin, USA. Any unauthorized copying of this drawing by any means, ENG/RD/06 REV: 20 ISSUED DATE: 11/15/11 or disclosure of its contents to any person not authorized by MELTRIC Corporation or its agents to receive it, is strictly prohibited.



ENTRY HOLE PATTERN

4X ϕ .194
(CLEARANCE FOR
8-32 HARDWARE)



TOLERANCES UNLESS OTHERWISE SPECIFIED		ENGLISH
MACHINED SURFACES	$\sqrt{125}$ MAX	
GROUND SURFACES	$\sqrt{32}$ MAX	0.XX \pm 0.01
ANGLE TOLERANCE	\pm 1°	0.XXX \pm 0.005
REMOVE BURRS & SHARP EDGES TO .015 MAX.		
DIMENSIONS SHOWN IN OVALS ARE INSPECTION DIMENSIONS.		

 A COMPANY OF MARÉCHAL ELECTRIC		DRAWING TITLE:	
		DSN60 RECEPTACLE	
DATE:	SCALE	MATERIAL:	
	NTS	BLUE POLY CASING	
SHEET:	PART NUMBER	REVISION	
1 OF 1	63-64xxx		