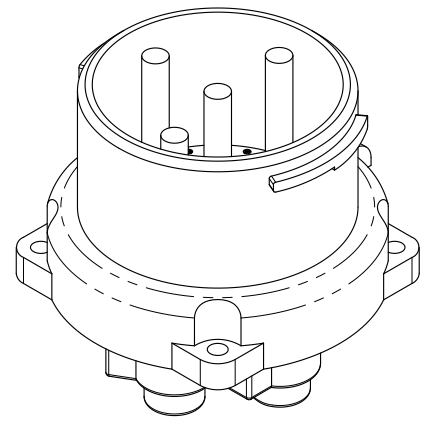
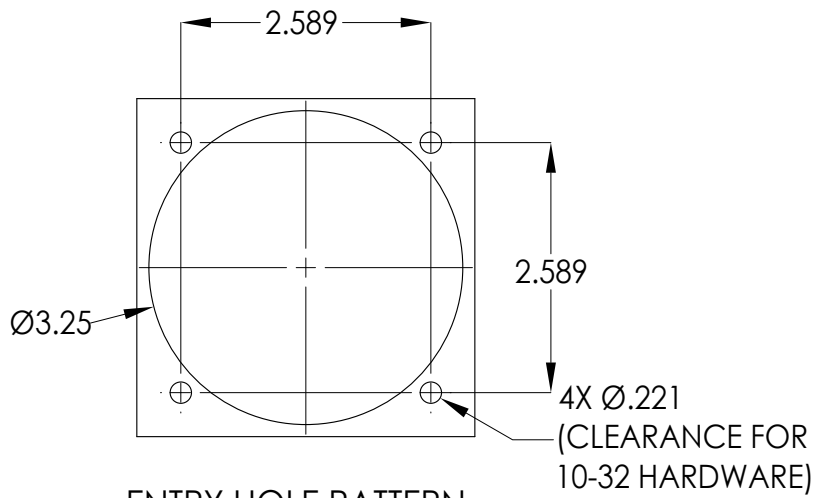
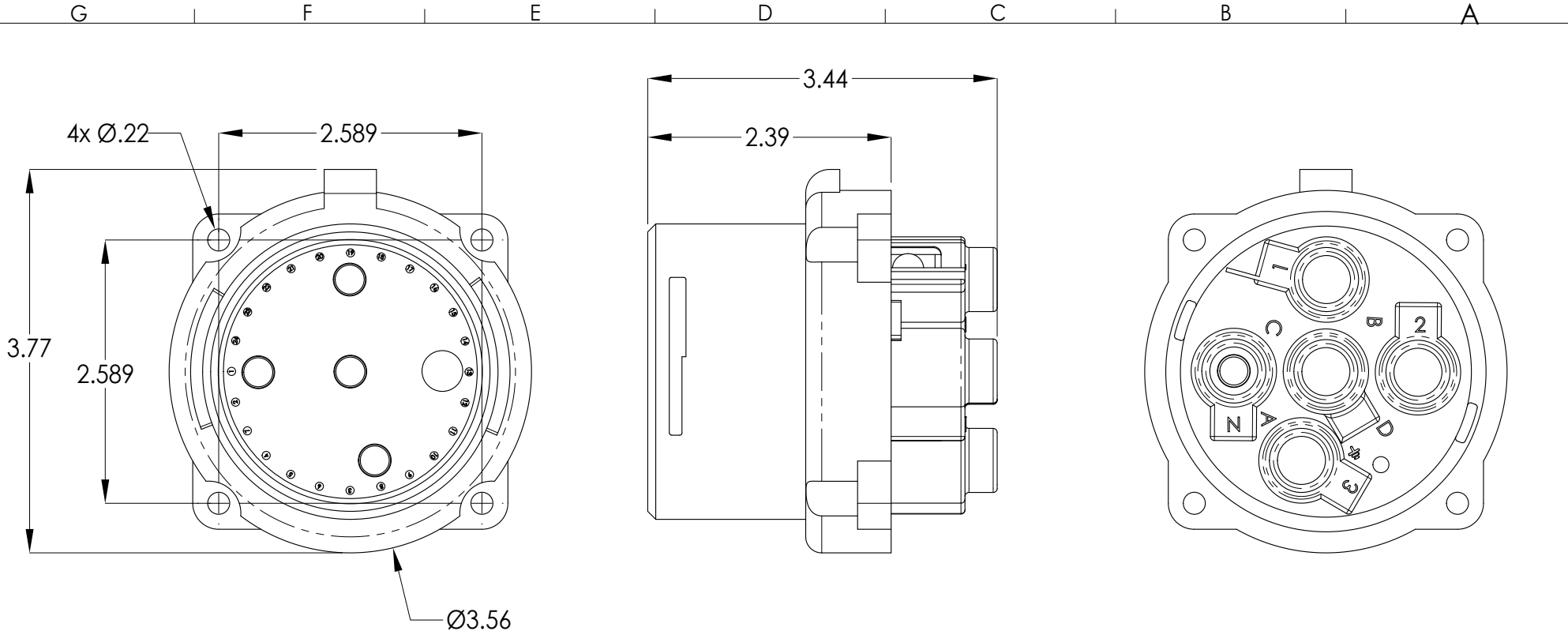




This drawing is the property of MELTRIC Corporation, Franklin (Milwaukee), Wisconsin, USA. Any unauthorized copying of this drawing by any means, or disclosure of its contents to any person not authorized by MELTRIC Corporation or its agents to receive it, is strictly prohibited.



TOLERANCES UNLESS OTHERWISE SPECIFIED MACHINED SURFACES $\sqrt[125]{\text{MAX}}$ GROUND SURFACES $\sqrt[32]{\text{MAX}}$ ANGLE TOLERANCE $\pm 1^\circ$ REMOVE BURRS & SHARP EDGES TO .015 MAX.  DIMENSIONS SHOWN IN OVALS ARE INSPECTION DIMENSIONS.		<b>ENGLISH</b> $0.X \pm 0.05$ $0.XX \pm 0.01$ $0.XXX \pm 0.005$		 A COMPANY OF MARECHAL ELECTRIC	
DRAWN: _____ APPROVED: _____		DRAWING TITLE: <b>DS60 POLY INLET</b>			
DATE: _____		SCALE: <b>NTS</b>		MATERIAL: <b>BLUE POLY CASING</b>	
SHEET: <b>1 OF 1</b>		PART NUMBER: <b>33-68xxx</b>			REVISION: _____