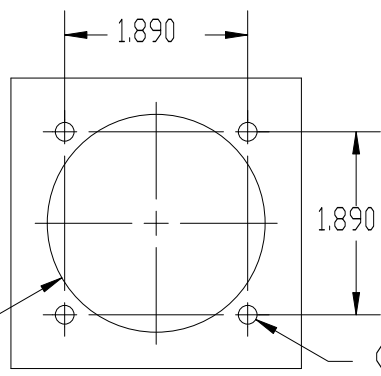
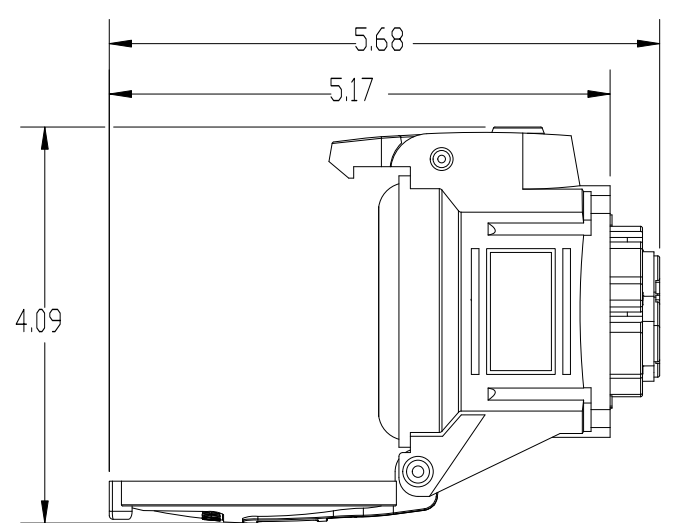
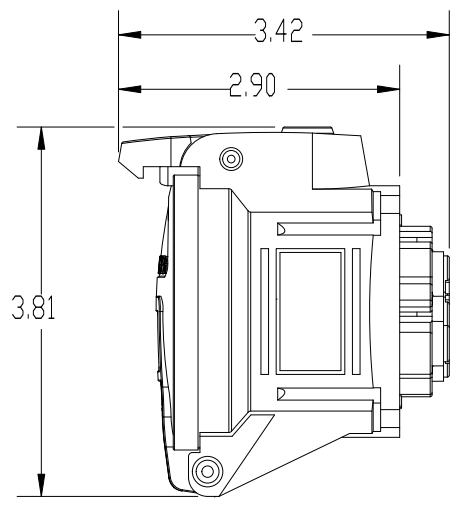
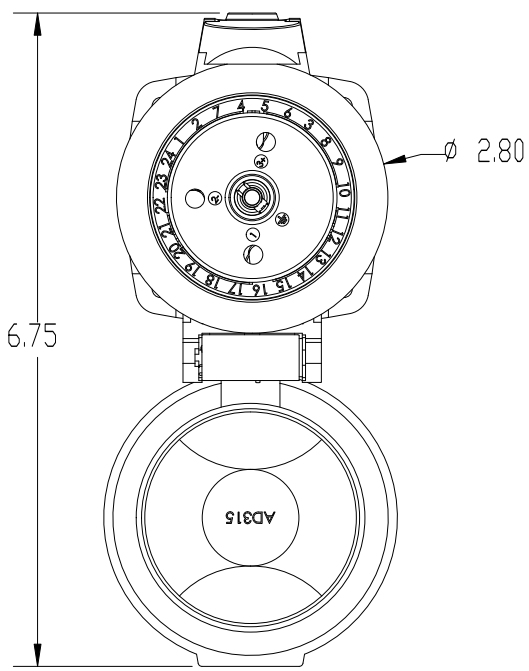
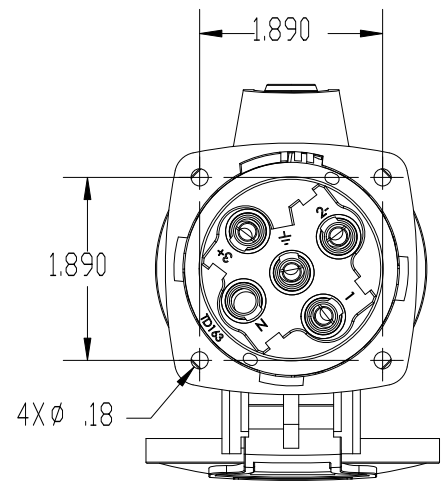
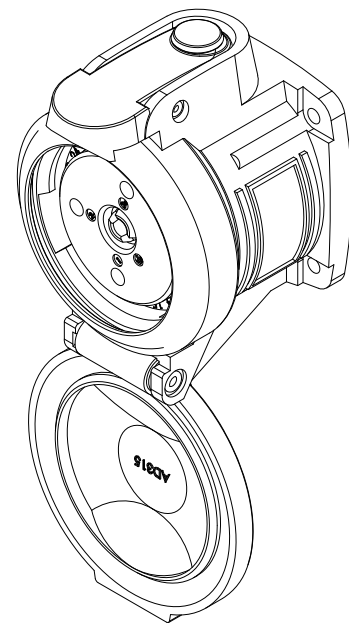


This drawing is the property of MELTRIC Corporation, Franklin (Milwaukee), Wisconsin, USA. Any unauthorized copying of this drawing by any means, or disclosure of its contents to any person not authorized by MELTRIC Corporation or its agents to receive it, is strictly prohibited.



ENTRY HOLE PATTERN

4 X ϕ .192
(CLEARANCE FOR 8-32
HARDWARE)



TOLERANCES UNLESS OTHERWISE SPECIFIED		MELTRIC	
MACHINED SURFACES	$\sqrt{125}$ MAX	A COMPANY OF MARÉCHAL ÉLECTRIQUE	
GROUND SURFACES	$\sqrt{32}$ MAX	DRAWN	APPROVED
ANGLE TOLERANCE	$\pm 1^\circ$	DRAWING TITLE: DS20 RECEPTACLE	
REMOVE BURRS & SHARP EDGES TO .015 MAX.		DATE:	SCALE: NTS
			MATERIAL: BLUE POLY CASING
		SHEET: 1 OF 1	PART NUMBER: 33-14xxx
			REVISION