

ABB general purpose drives

# Hardware manual ACS580-01 drives (0.75 to 250 kW, 1.0 to 350 hp)



Power and productivity  
for a better world™



# List of related manuals

## Drive manuals and guides

## Code (English)

---

<i>ACS580 standard control program firmware manual</i>	<a href="#">3AXD50000016097</a>
<i>ACS580-01 (0.75 to 250 kW, 1.0 to 350 hp) hardware manual</i>	<a href="#">3AXD50000044794</a>
<i>ACS580-01 quick installation and start-up guide for frames R1 to R5</i>	<a href="#">3AXD50000044838</a>
<i>ACS580-01 quick installation and start-up guide for frames R6 to R9</i>	<a href="#">3AXD50000009286</a>
<i>ACS-AP-X assistant control panels user's manual</i>	<a href="#">3AUA0000085685</a>

## Option manuals and guides

---

<i>CPTC-02 ATEX-certified thermistor protection module, Ex II (2) GD (+L537+Q971) user's manual</i>	<a href="#">3AXD50000030058</a>
<i>CDPI-01 communication adapter module user's manual</i>	<a href="#">3AXD50000009929</a>
<i>DPMP-01 mounting platform for control panels</i>	<a href="#">3AUA0000100140</a>
<i>DPMP-02/03 mounting platform for control panels</i>	<a href="#">3AUA0000136205</a>
<i>FCAN-01 CANopen adapter module user's manual</i>	<a href="#">3AFE68615500</a>
<i>FCNA-01 ControlNet adapter module user's manual</i>	<a href="#">3AUA0000141650</a>
<i>FDNA-01 DeviceNet™ adapter module user's manual</i>	<a href="#">3AFE68573360</a>
<i>FECA-01 EtherCAT adapter module user's manual</i>	<a href="#">3AUA0000068940</a>
<i>FENA-01/-11/-21 Ethernet adapter module user's manual</i>	<a href="#">3AUA0000093568</a>
<i>FEPL-02 Ethernet POWERLINK adapter module user's manual</i>	<a href="#">3AUA0000123527</a>
<i>FPBA-01 PROFIBUS DP adapter module user's manual</i>	<a href="#">3AFE68573271</a>
<i>FSCA-01 RS-485 adapter module user's manual</i>	<a href="#">3AUA0000109533</a>
<i>Flange mounting kit installation supplement</i>	<a href="#">3AXD50000019100</a>
<i>Flange mounting kit quick installation guide for ACX580-01 frames R0 to R5</i>	<a href="#">3AXD50000036610</a>
<i>Flange mounting kit quick installation guide for ACS880-01 and ACX580-01 frames R6 to R9</i>	<a href="#">3AXD50000019099</a>

## Tool and maintenance manuals and guides

---

<i>Drive composer PC tool user's manual</i>	<a href="#">3AUA0000094606</a>
<i>Converter module capacitor reforming instructions</i>	<a href="#">3BFE64059629</a>
<i>NETA-21 remote monitoring tool user's manual</i>	<a href="#">3AUA00000969391</a>
<i>NETA-21 remote monitoring tool installation and start-up guide</i>	<a href="#">3AUA0000096881</a>

You can find manuals and other product documents in PDF format on the Internet. See section [Document library on the Internet](#) on the inside of the back cover. For manuals not available in the Document library, contact your local ABB representative



[ACS580-01 manuals](#)

# Hardware manual

**ACS580-01 drives**  
**(0.75 to 250 kW, 1.0 to 350 hp)**

Table of contents



1. Safety instructions



4. Mechanical installation



6. Electrical installation





# Table of contents

---

List of related manuals .....	2
-------------------------------	---

## **1. Safety instructions**

Contents of this chapter .....	13
Use of warnings and notes in this manual .....	13
General safety in installation, start-up and maintenance .....	14
Electrical safety in installation, start-up and maintenance .....	16
Precautions before electrical work .....	16
Additional instructions and notes .....	17
Grounding .....	18
Additional instructions for permanent magnet motor drives .....	19
Safety in installation, start-up and maintenance .....	19
General safety in operation .....	20

## **2. Introduction to the manual**

Contents of this chapter .....	21
Applicability .....	21
Target audience .....	21
Purpose of the manual .....	21
Contents of this manual .....	22
Related documents .....	23
Categorization by frame (size) .....	23
Quick installation and commissioning flowchart .....	24



## **3. Operation principle and hardware description**

Contents of this chapter .....	27
Operation principle .....	28
Layout .....	29
Overview of power and control connections .....	34
External control connection terminals, frames R1...R5 .....	35
External control connection terminals, frames R6...R9 .....	36
Control panel .....	37
Control panel door mounting kits .....	38
Type designation label .....	38
Locations of the labels on the drive .....	39
Type designation key .....	40

## **4. Mechanical installation**

Contents of this chapter .....	43
Safety .....	43
Checking the installation site .....	44
Required tools .....	46
Moving the drive .....	46

---

## 6 Table of contents

Unpacking and examining delivery, frames R1 and R2	47
Frames R1 and R2 cable box (IP21, UL Type 1)	48
Unpacking and examining delivery, frames R3...R4	49
Unpacking and examining delivery, frame R5	50
Frame R5 cable box (IP21, UL Type 1)	51
Unpacking and examining delivery, frames R6...R9	52
Frame R6 cable box (IP21, UL Type 1)	53
Frame R7 cable box (IP21, UL Type 1)	54
Frame R8 cable box (IP21, UL Type 1)	55
Frame R9 cable box (IP21, UL Type 1)	56
Installing the drive	57
Installing the drive vertically, frames R1...R4	57
Install the cable box, frames R1...R2	58
Installing the drive vertically, frame R5	59
Installing the drive vertically, frames R6...R9	62
Installing the drive vertically side by side	63
Installing the drive horizontally, frames R1...R3	63
Flange mounting	64



## 5. Planning the electrical installation

Contents of this chapter	65
Limitation of liability	65
Selecting the supply disconnecting device	65
European Union	66
Other regions	66
Checking the compatibility of the motor and drive	67
Protecting the motor insulation and bearings	67
Requirements table	68
Selecting the power cables	72
General rules	72
Typical power cable sizes	73
Alternative power cable types	74
Motor cable shield	74
Additional US requirements	75
Selecting the control cables	76
Shielding	76
Signals in separate cables	76
Signals allowed to be run in the same cable	76
Relay cable	76
Control panel cable	76
Drive composer PC tool cable	77
FPBA-01 PROFIBUS DP adapter module connectors	77
Routing the cables	78
General rules	78
Separate control cable ducts	79
Continuous motor cable shield or enclosure for equipment on the motor cable	79
Implementing thermal overload and short-circuit protection	80
Protecting the drive and input power cable in short-circuits	80
Protecting the motor and motor cable in short-circuits	80
Protecting the drive and the input power and motor cables against thermal overload	81

---

Protecting the motor against thermal overload	81
Protecting the drive against ground faults	81
Residual current device compatibility	81
Implementing the Emergency stop function	82
Implementing the Safe torque off function	82
Implementing the undervoltage control (power-loss ride-through)	82
Using a safety switch between the drive and the motor	82
Using a contactor between the drive and the motor	82
Implementing a bypass connection	83
Example bypass connection	84
Protecting the contacts of relay outputs	85
Limiting relay output maximum voltages at high installation altitudes	86
Implementing a motor temperature sensor connection	87

## 6. Electrical installation

Contents of this chapter	89
Warnings	89
Required tools	89
Checking the insulation of the assembly	90
Drive	90
Input power cable	90
Motor and motor cable	90
Brake resistor assembly for R1...R3	91
Checking the compatibility with IT (ungrounded) and corner-grounded TN systems	91
EMC filter	91
Ground-to-phase varistor	92
Frames R1...R3	93
Frames R4...R9	94
Connecting the power cables	96
Connection diagram	96
Connection procedure, frames R1...R4	97
Connection procedure, frame R5	105
Connection procedure, frames R6...R9	111
DC connection	115
Connecting the control cables	116
Default I/O connection diagram (ABB standard macro)	117
Control cable connection procedure R1...R9	126
Installing option modules	132
Mechanical installation of option modules	132
Wiring the modules	134
Reinstalling covers	135
Reinstalling cover, frames R1...R4	135
Reinstalling covers, frame R5	136
Reinstalling side plates and covers, frames R6...R9	137
Connecting a PC	138

## 7. Installation checklist

Contents of this chapter	139
Warnings	139



## 8 Table of contents

Checklist .....	139
-----------------	-----

### **8. Maintenance and hardware diagnostics**

Contents of this chapter .....	141
Maintenance intervals .....	141
Description of symbols .....	142
Recommended annual actions by the user .....	142
Recommended maintenance actions by the user .....	142
Heatsink .....	143
Fans .....	144
Replacing the main cooling fan, IP21 and IP55 (UL Type 1 and UL Type 12) frames R1...R4 .....	145
Replacing the main cooling fan, IP21 and IP55 (UL Type 1 and UL Type 12) frames R5...R8 .....	147
Replacing the main cooling fans, IP21 and IP55 (UL Type 1 and UL Type 12) frame R9 .....	148
Replacing the auxiliary cooling fan, IP21 and IP55 (UL Type 1 and UL Type 12) frames R5...R9 .....	149
Replacing the auxiliary cooling fan, IP55 (UL Type 12) frames R1...R2 .....	150
Replacing the auxiliary cooling fan, IP55 (UL Type 12) frame R3 .....	151
Replacing the auxiliary cooling fan, IP55 (UL Type 12) frame R4 .....	152
Replacing the second auxiliary cooling fan, IP55 (UL Type 12) frames R8...R9 .....	153
Capacitors .....	154
Reforming the capacitors .....	154
Control panel .....	155
Cleaning the control panel .....	155
Replacing the battery in the control panel .....	155
LEDs .....	156
Drive LEDs .....	156
Control panel LEDs .....	157

### **9. Technical data**

Contents of this chapter .....	159
Ratings .....	160
IEC ratings .....	160
NEMA ratings .....	161
Definitions .....	161
Sizing .....	162
Derating .....	163
Ambient temperature derating, IP21 (UL Type 1) .....	164
Ambient temperature derating, IP55 (UL Type 12) .....	164
Altitude derating .....	166
Switching frequency derating .....	167
Fuses (IEC) .....	168
gG fuses .....	169
uR and aR fuses .....	170
Fuses (UL) .....	171
Circuit breakers .....	172
Dimensions, weights and free space requirements .....	173





Losses, cooling data and noise	176
Cooling air flow, heat dissipation and noise for stand-alone drives	176
Cooling air flow and heat dissipation for flange mounting (option +C135)	177
Terminal and lead-through data for the power cables	178
IEC	178
US	180
Terminal and lead-through data for the control cables	182
IEC	182
US	182
Electrical power network specification	183
Voltage (U1)	183
Motor connection data	183
Brake resistor connection data for frames R1...R3	185
Control connection data	186
Efficiency	192
Degree of protection	192
Ambient conditions	192
Materials	194
Applicable standards	194
CE marking	196
Compliance with the European Low Voltage Directive	196
Compliance with the European EMC Directive	196
Compliance with the European ROHS II Directive 2011/65/EU	196
Compliance with the European Machinery Directive 2006/42/EC 2nd Edition – June 2010	196
Compliance with the EN 61800-3:2004 + A1:2012	197
Definitions	197
Category C1	197
Category C2	198
Category C3	198
Category C4	199
UL marking	200
UL checklist	200
China RoHS marking	201
RCM marking	201
WEEE marking	201
EAC marking	201
Disclaimer	201
Cyber security disclaimer	201



## 10. Dimension drawings

Contents of this chapter	203
Frame R1, IP21 (UL Type 1)	204
Frame R1, IP55 (UL Type 12)	205
Frame R2, IP21 (UL Type 1)	206
Frame R2, IP55 (UL Type 12)	207
Frame R3, IP21 (UL Type 1)	208
Frame R3, IP55 (UL Type 12)	209
Frame R4, IP21 (UL Type 1)	210
Frame R4, IP55 (UL Type 12)	211

Frame R5, IP21 (UL Type 1)	212
Frame R5, IP55 (UL Type 12)	213
Frame R6, IP21 (UL Type 1)	214
Frame R6, IP55 (UL Type 12)	215
Frame R7, IP21 (UL Type 1)	216
Frame R7, IP55 (UL Type 12)	217
Frame R8, IP21 (UL Type 1)	218
Frame R8, IP55 (UL Type 12)	219
Frame R9, IP21 (UL Type 1)	220
Frame R9, IP55 (UL Type 12)	221

## 11. Resistor braking

Contents of this chapter	223
Operation principle and hardware description	223
Resistor braking, frames R1...R3	224
Planning the braking system	224
Mechanical installation	228
Electrical installation	228
Start-up	229
Resistor braking, frames R4...R9	230
Planning the braking system	230

## 12. Safe torque off function

Contents of this chapter	231
Description	231
Compliance with the European Machinery Directive	232
Connection principle	233
Connection with internal +24 V DC power supply	233
Connection with internal +24 V DC power supply, single line	234
Connection with external +24 V DC power supply	235
Wiring examples	235
Activation switch	236
Cable types and lengths	236
Grounding of protective shields	237
Operation principle	237
Start-up including acceptance test	237
Competence	237
Acceptance test reports	238
Acceptance test procedure	239
Use	240
Maintenance	242
Competence	242
Fault tracing	242
Safety data	244
Abbreviations	246
Declaration of conformity	246
Certificate	247



### 13. Optional I/O extension modules

Contents of this chapter	249
CHDI-01 115/230 V digital input extension module	249
Safety instructions	249
Hardware description	249
Mechanical installation	250
Electrical installation	251
Start-up	253
Diagnostics	253
Technical data	254
CMOD-01 multifunction extension module (external 24 V AC/DC and digital I/O)	256
Safety instructions	256
Hardware description	256
Mechanical installation	257
Electrical installation	258
Start-up	260
Diagnostics	261
Technical data	262
CMOD-02 multifunction extension module (external 24 V AC/DC and isolated PTC interface)	264
Safety instructions	264
Hardware description	264
Mechanical installation	265
Electrical installation	266
Start-up	268
Diagnostics	269
Technical data	270



### 14. Common mode and du/dt filters

Content of this chapter	273
Common mode filters	273
When is a common mode filter needed?	273
du/dt filters	273
When is a du/dt filter needed?	273
Common mode filter types	274
du/dt filter types	274
Description, installation and technical data of the FOCH filters	275
Description, installation and technical data of the NOCH filters	275

### Further information

Product and service inquiries	277
Product training	277
Providing feedback on ABB Drives manuals	277
Document library on the Internet	277



## 1

# Safety instructions

---




## Contents of this chapter

This chapter contains the safety instructions which you must obey when you install and operate the drive and do maintenance on the drive. If you ignore the safety instructions, injury, death or damage can occur.

## Use of warnings and notes in this manual

Warnings tell you about conditions which can cause injury or death, or damage to the equipment. They also tell you how to prevent the danger. Notes draw attention to a particular condition or fact, or give information on a subject.


The manual uses these warning symbols:

	<b>Electricity warning</b> tells about hazards from electricity which can cause injury or death, or damage to the equipment.
	<b>General warning</b> tells about conditions, other than those caused by electricity, which can cause injury or death, or damage to the equipment.
	<b>Electrostatic sensitive devices warning</b> tells you about the risk of electrostatic discharge which can cause damage to the equipment.

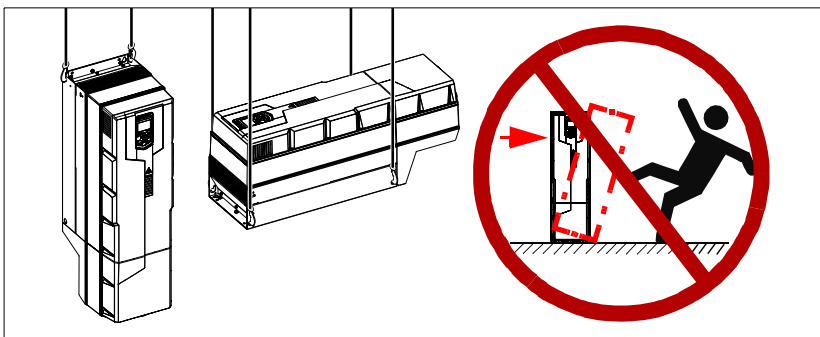


## General safety in installation, start-up and maintenance

These instructions are for all personnel that install the drive and do maintenance work on it.

 **WARNING!** Obey these instructions. If you ignore them, injury or death, or damage to the equipment can occur.

- Use safety shoes with a metal toe cap to avoid foot injury. Wear protective gloves and long sleeves. Some parts have sharp edges.
- Handle the drive carefully.
  - Frames R5...R9: Lift the drive with a lifting device. Use the lifting eyes of the drive.
  - Frames R5...R9: Do not tilt the drive. The drive is heavy and its center of gravity is high. An overturning drive can cause physical injury.



- Beware of hot surfaces. Some parts, such as heatsinks of power semiconductors, remain hot for a while after disconnection of the electrical supply.
- Keep the drive in its package or protect it otherwise from dust and burr from drilling and grinding until you install it.
- Protect also the installed drive against dust and burr. Electrically conductive debris inside the drive may cause damage or malfunction.
- Vacuum clean the area below the drive before the start-up to prevent the drive cooling fan from drawing the dust inside the drive.
- Do not cover the air inlet and outlet when the drive runs.
- Make sure that there is sufficient cooling. See sections [Checking the installation site](#) on page 44 and [Losses, cooling data and noise](#) on page 176 for more information.
- Before you connect voltage to the drive, make sure that the drive covers are on. Keep the covers on during the operation.
- Before you adjust the drive operation limits, make sure that the motor and all driven equipment can operate throughout the set operation limits.

- Before you activate the automatic fault reset or automatic restart functions of the drive control program, make sure that no dangerous situations can occur. These functions reset the drive automatically and continue operation after a fault or supply break. If these functions are activated, the installation must be clearly marked as defined in IEC/EN 61800-5-1, subclause 6.5.3, for example, “THIS MACHINE STARTS AUTOMATICALLY”.
- The maximum number of drive power-ups is five in ten minutes. Too frequent power-ups can damage the charging circuit of the DC capacitors.
- If you have connected safety circuits to the drive (for example, emergency stop and Safe torque off), validate them at the start up. For the validation of the Safe torque off, see *ACS580 standard control program firmware manual* (3AXD50000016097 [English]). For the validation of other safety circuits, see the instructions provided with them.

**Note:**

- If you select an external source for start command and it is on, and the start command is level-triggered, the drive will start immediately after fault reset. See parameters 20.02 Ext1 start trigger type and 20.07 Ext2 start trigger type in *ACS580 standard control program firmware manual* (3AXD50000016097 [English]).
  - When the control location is not set to Local (text Local is not shown on the top row of the panel and parameter 19.17 Local control disable has value Disabled), the stop key on the control panel will not stop the drive.
  - Frames R1...R5 are not field repairable. Do not attempt to repair a malfunctioning drive; contact your local representative for replacement.  
Frames R1...R9 can be repaired by authorized persons.
- 



## Electrical safety in installation, start-up and maintenance

### ■ Precautions before electrical work

These warnings are for all personnel who do work on the drive, motor cable or motor.

---



**WARNING!** Obey these instructions. If you ignore them, injury or death, or damage to the equipment can occur. If you are not a qualified electrician, do not do electrical installation or maintenance work. Go through these steps before you begin any installation or maintenance work.

1. Clearly identify the work location.
  2. Disconnect all possible voltage sources.
    - Open the main disconnecter at the power supply of the drive.
    - Make sure that reconnection is not possible. Lock the disconnecter to open position and attach a warning notice to the disconnecter.
    - Disconnect any external power sources from the control circuits before you do work on the control cables.
    - After you disconnect the drive, always wait for 5 minutes to let the intermediate circuit capacitors discharge before you continue.
  3. Protect any other energized parts in the work location against contact.
  4. Take special precautions when close to bare conductors.
  5. Measure that the installation is de-energized.
    - Use a multimeter with an impedance of at least 1 Mohm.
    - Make sure that the voltage between the drive input power terminals (L1, L2, L3) and the grounding terminal (PE) is close to 0 V.
    - Make sure that the voltage between the drive DC terminals (UDC+ and UDC-) and the grounding terminal (PE) is close to 0 V.
  6. Install temporary grounding as required by the local regulations.
  7. Ask for a permit to work from the person in control of the electrical installation work.
- 





## ■ Additional instructions and notes



**WARNING!** Obey these instructions. If you ignore them, injury or death, or damage to the equipment can occur.

- If you install the drive on an IT system (an ungrounded power system or a high-resistance-grounded [over 30 ohms] power system), disconnect the ground-to-phase varistor; otherwise the varistor circuit can be damaged. See page 92.
- If you install the drive on an IT system (an ungrounded power system or a high-resistance-grounded [over 30 ohms] power system), disconnect the internal EMC filter; otherwise the system will be connected to ground potential through the EMC filter capacitors. This can cause danger or damage the drive. See page 91.  
**Note:** Disconnecting the internal EMC filter increases the conducted emission and reduces the drive EMC compatibility considerably. See section [EMC compatibility and motor cable length](#) on page 185.
- If you install the drive on a corner-grounded TN system, disconnect the internal EMC filter; otherwise the system will be connected to ground potential through the EMC filter capacitors. This will damage the drive. See page 93.  
**Note:** Disconnecting the internal EMC filter increases the conducted emission and reduces the drive EMC compatibility considerably. See section [EMC compatibility and motor cable length](#) on page 185.
- Use all ELV (extra low voltage) circuits connected to the drive only within a zone of equipotential bonding, that is, within a zone where all simultaneously accessible conductive parts are electrically connected to prevent hazardous voltages appearing between them. You can accomplish this by a proper factory grounding, that is, make sure that all simultaneously accessible conductive parts are grounded to the protective earth (PE) bus of the building.
- Do not do insulation or voltage withstand tests on the drive or drive modules.

### Note:

- The motor cable terminals of the drive are at a dangerous voltage when the input power is on, regardless of whether the motor is running or not.
- The DC and brake resistor terminals (UDC+, UDC-, R+ and R-) are at a dangerous voltage.
- External wiring can supply dangerous voltages to the terminals of relay outputs (RO1, RO2 and RO3).
- The Safe torque off function does not remove the voltage from the main and auxiliary circuits. The function is not effective against deliberate sabotage or misuse.





**WARNING!** Use a grounding wrist band when you handle the printed circuit boards. Do not touch the boards unnecessarily. The boards contain components sensitive to electrostatic discharge.

---

## ■ Grounding

These instructions are for all personnel who are responsible for the electrical installation, including the grounding of the drive.



**WARNING!** Obey these instructions. If you ignore them, injury or death, or equipment malfunction can occur, and electromagnetic interference can increase.

- If you are not a qualified electrician, do not do grounding work.
- Always ground the drive, the motor and adjoining equipment to the protective earth (PE) bus of the power supply. This is necessary for the personnel safety. Proper grounding also reduces electromagnetic emission and interference.
- In a multiple-drive installation, connect each drive separately to the protective earth (PE) bus of the power supply.
- Make sure that the conductivity of the protective earth (PE) conductors is sufficient. See section [Selecting the power cables](#) on page 72. Obey the local regulations.
- Connect the power cable shields to the protective earth (PE) terminals of the drive.
- Make a 360° grounding of the power and control cable shields at the cable entries to suppress electromagnetic disturbances.

### Note:

- You can use power cable shields as grounding conductors only when their conductivity is sufficient.
  - Standard IEC/EN 61800-5-1 (section 4.3.5.5.2.) requires that as the normal touch current of the drive is higher than 3.5 mA AC or 10 mA DC, you must use a fixed protective earth (PE) connection. In addition,
    - install a second protective earth conductor of the same cross-sectional area as the original protective earthing conductor,or
  - install a protective earth conductor with a cross-section of at least 10 mm<sup>2</sup> Cu or 16 mm<sup>2</sup> Al,
- or

- install a device which automatically disconnects the supply if the protective earth conductor breaks.
- 
-

## Additional instructions for permanent magnet motor drives

### ■ Safety in installation, start-up and maintenance

These are additional warnings concerning permanent magnet motor drives. The other safety instructions in this chapter are also valid.



**WARNING!** Obey these instructions. If you ignore them, injury or death and damage to the equipment can occur.

- Do not work on a drive when a rotating permanent magnet motor is connected to it. A rotating permanent magnet motor energizes the drive including its input power terminals.

Before installation, start-up and maintenance work on the drive:

- Stop the motor.
- Disconnect the motor from the drive with a safety switch or by other means.
- If you cannot disconnect the motor, make sure that the motor cannot rotate during work. Make sure that no other system, like hydraulic crawling drives, can rotate the motor directly or through any mechanical connection like felt, nip, rope, etc.
- Measure that the installation is de-energized.
  - Use a multimeter with an impedance of at least 1 Mohm.
  - Make sure that the voltage between the drive output terminals (T1/U, T2/V, T3/W) and the grounding (PE) busbar is close to 0 V.
  - Make sure that the voltage between the drive input power terminals (L1, L2, L3) and the grounding (PE) busbar is close to 0 V.
  - Make sure that the voltage between the drive DC terminals (UDC+, UDC-) and the grounding (PE) terminal is close to 0 V.
- Install temporary grounding to the drive output terminals (T1/U, T2/V, T3/W). Connect the output terminals together as well as to the PE.

Start-up and operation:

- Make sure that the operator cannot run the motor over the rated speed. Motor overspeed causes overvoltage that can damage or destroy the capacitors in the intermediate circuit of the drive.



## General safety in operation

These instructions are for all personnel that operate the drive.

---



**WARNING!** Obey these instructions. If you ignore them, injury or death, or damage to the equipment can occur.

- Do not control the motor with the disconnecter at the drive power supply; instead, use the control panel start and stop keys or commands through the I/O terminals of the drive.
- Give a stop command to the drive before you reset a fault. If you have an external source for the start command and the start is on, the drive will start immediately after the fault reset, unless you configure the drive for pulse start. See the firmware manual.
- Before you activate automatic fault reset functions of the drive control program, make sure that no dangerous situations can occur. These functions reset the drive automatically and continue operation after a fault.

**Note:** When the control location is not set to Local, the stop key on the control panel will not stop the drive.

---





# Introduction to the manual

---

## Contents of this chapter

The chapter describes applicability, target audience and purpose of this manual. It describes the contents of this manual and refers to a list of related manuals for more information. The chapter also contains a flowchart of steps for checking the delivery, installing and commissioning the drive. The flowchart refers to chapters/sections in this manual.

## Applicability

The manual applies to the ACS580-01 drives, including the new (2017) R1...R3 frames (see all applicable types in section [Ratings](#) on page 160).

**Note:** The manual does not apply to R0...R3 frames with type codes ACS580-01-: 02A6-4, 03A3-4, 04A0-4, 05A6-4, 07A2-4, 09A-4, 12A6-4, 017A-4, 025A-4, 032A-4, 038A-4, 045A-4. For these types, see *ACS580-01 (0.75 to 250 kW, 1.0 to 350 hp) hardware manual* (3AXD50000018826 [English]).

## Target audience

The reader is expected to know the fundamentals of electricity, wiring, electrical components and electrical schematic symbols.

The manual is written for readers worldwide. Both SI and imperial units are shown. Special US instructions for installations in the United States are given.

## Purpose of the manual

This manual provides information needed for planning the installation, installing, and servicing the drive.

---

## Contents of this manual

The manual consists of the following chapters:

- [Safety instructions](#) (page 13) gives safety instructions you must obey when installing, commissioning, operating and servicing the drive.
  - [Introduction to the manual](#) (this chapter, page 21) describes applicability, target audience, purpose and contents of this manual. It also contains a quick installation and commissioning flowchart. At the end, it lists terms and abbreviations.
  - [Operation principle and hardware description](#) (page 27) describes the operation principle, layout, power connections and control interfaces, type designation label and type designation information in short.
  - [Mechanical installation](#) (page 43) describes how to check the installation site, unpack, check the delivery and install the drive mechanically.
  - [Planning the electrical installation](#) (page 65) describes how to plan the electrical installation of the drive, for example, how to check the compatibility of the motor and the drive and select cables, protections and cable routing.
  - [Electrical installation](#) (page 89) describes how to check the insulation of the assembly and the compatibility with IT (ungrounded) and corner-grounded TN systems. It then shows how to connect the power and control cables, install optional modules and connect a PC.
  - [Installation checklist](#) (page 139) contains a checklist for checking the mechanical and electrical installation of the drive before start-up.
  - [Maintenance and hardware diagnostics](#) (page 141) contains preventive maintenance instructions and LED indicator descriptions.
  - [Technical data](#) (page 159) contains technical specifications of the drive, eg ratings, sizes and technical requirements as well as provisions for fulfilling the requirements for CE and other marks.
  - [Dimension drawings](#) (page 203) shows dimension drawings of the drive.
  - [Resistor braking](#) (page 223) tells how to select the brake resistor.
  - [Safe torque off function](#) (page 231) describes STO features, installation and technical data.
  - [Optional I/O extension modules](#) (page 249) describes CMOD-01 and CMOD-02 multifunction extension modules, their installation, start-up, diagnostics and technical data.
  - [Common mode and du/dt filters](#) (page 273) describes selection of external filters for the drive.
  - [Further information](#) (inside of the back cover, page 277) tells how to make product and service inquiries, get information on product training, provide feedback on manuals and find documents on the Internet.
-

## Related documents

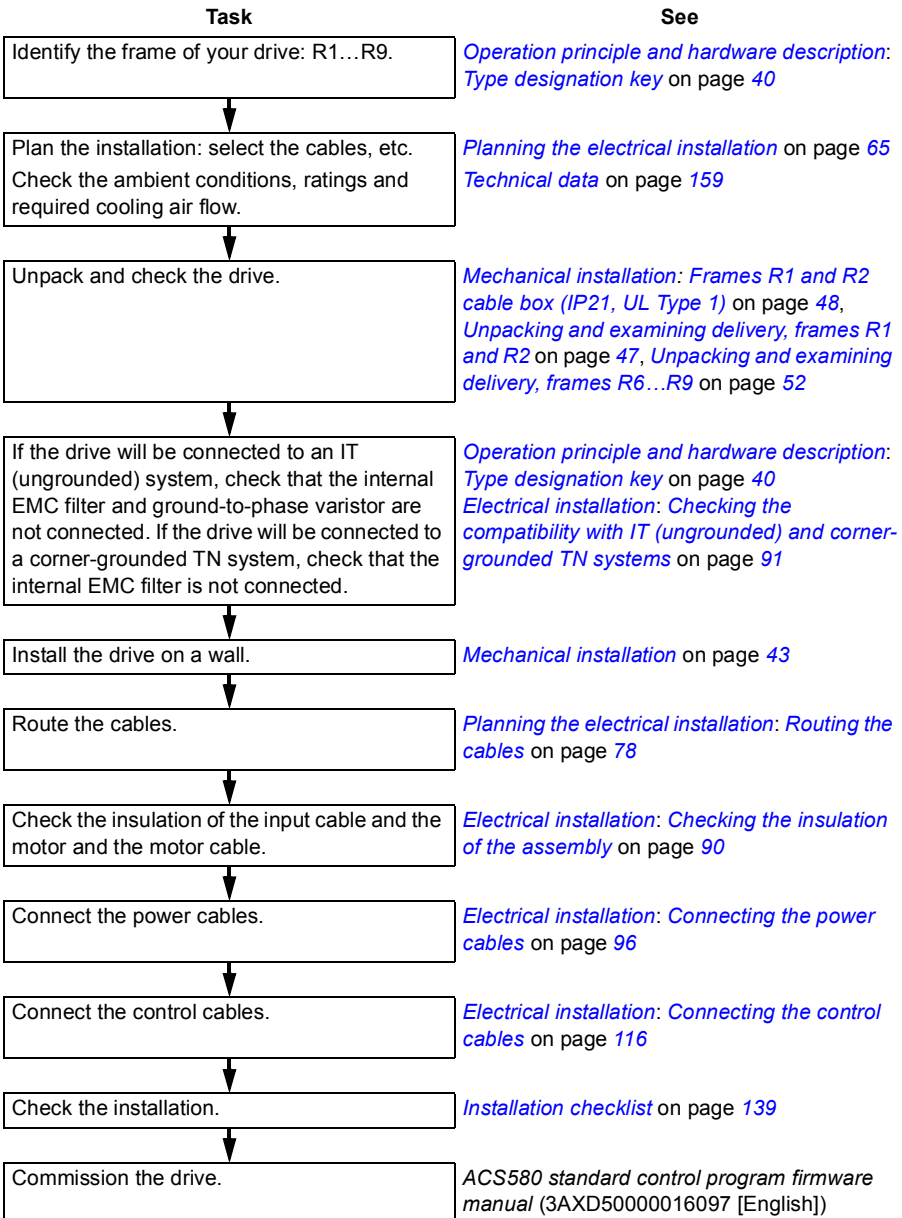
See [List of related manuals](#) on page 2 (inside of the front cover).

## Categorization by frame (size)

The ACS580-01 is manufactured in frames (frame sizes) R1...R9. Some instructions and other information which only concern certain frames are marked with the symbol of the frame (R1...R9). The frame is marked on the type designation label attached to the drive, see section [Type designation label](#) on page 38.

---

## Quick installation and commissioning flowchart





## Terms and abbreviations

Term/abbreviation	Explanation
ACS-BP-S	Basic control panel, basic operator keypad for communication with the drive. The ACS580 supports ACS-BP-S basic control panel.
ACS-AP-x	Assistant control panel, advanced operator keypad for communication with the drive. The ACS580 supports types ACS-AP-I and ACS-AP-S, as well as ACS-AP-W, which has a Bluetooth interface.
Brake chopper	Conducts the surplus energy from the intermediate circuit of the drive to the brake resistor when necessary. The chopper operates when the DC link voltage exceeds a certain maximum limit. The voltage rise is typically caused by deceleration (braking) of a high inertia motor.
Brake resistor	Dissipates the drive surplus braking energy conducted by the brake chopper to heat. Essential part of the brake circuit. See <a href="#">Brake chopper</a> .
Control board	Circuit board in which the control program runs.
Capacitor bank	See <a href="#">DC link capacitors</a> .
CDPI-01	Communication adapter module
CCA-01	Configuration adapter
CHDI-01	Optional 115/230 V digital input extension module
CMOD-01	Optional multifunction extension module (external 24 V AC/DC and digital I/O extension)
CMOD-02	Optional multifunction extension module (external 24 V AC/DC and isolated PTC interface)
CPTC-02	Optional multifunction extension module (external 24 V and ATEX certified PTC interface)
DC link	DC circuit between rectifier and inverter
DC link capacitors	Energy storage which stabilizes the intermediate circuit DC voltage
DPMP-01	Mounting platform for ACS-AP control panel (flange mounting)
DPMP-02	Mounting platform for ACS-AP control panel (surface mounting)
Drive	Frequency converter for controlling AC motors
EMC	Electromagnetic compatibility
EFB	Embedded fieldbus
FBA	Fieldbus adapter
FCAN-01	Optional CANopen adapter module
FCNA-01	ControlNet adapter module
FDNA-01	Optional DeviceNet adapter module
FECA-01	Optional EtherCAT adapter module
FENA-11/-21	Optional Ethernet adapter module for EtherNet/IP, Modbus TCP and PROFINET IO protocols
FEPL-02	Optional Ethernet POWERLINK adapter module
FPBA-01	Optional PROFIBUS DP adapter module

Term/abbreviation	Explanation
Frame (size)	Refers to drive physical size, for example R1 and R2. The type designation label attached to the drive shows the frame of the drive, see section <a href="#">Type designation key</a> on page 40.
FSCA-01	Optional EIA-485 adapter module
I/O	Input/Output
IGBT	Insulated gate bipolar transistor
Intermediate circuit	See <a href="#">DC link</a> .
Inverter	Converts direct current and voltage to alternating current and voltage.
Macro	Pre-defined default values of parameters in drive control program. Each macro is intended for a specific application. See <i>ACS580 firmware manual</i> (3AXD50000016097[English]).
NETA-21	Remote monitoring tool
Network control	With fieldbus protocols based on the Common Industrial Protocol (CIP™), such as DeviceNet and Ethernet/IP, denotes the control of the drive using the Net Ctrl and Net Ref objects of the ODVA AC/DC Drive Profile. For more information, see <a href="http://www.odva.org">www.odva.org</a> , and the following manuals: <ul style="list-style-type: none"> <li>• <i>FDNA-01 DeviceNet adapter module user's manual</i> (3AFE68573360 [English]), and</li> <li>• <i>FENA-01/-11/-21 Ethernet adapter module user's manual</i> (3AUA0000093568 [English]).</li> </ul>
Parameter	User-adjustable operation instruction to the drive, or signal measured or calculated by the drive
PLC	Programmable logic controller
PROFIBUS, PROFIBUS DP, PROFINET IO	Registered trademarks of PI - PROFIBUS & PROFINET International
PTC	Positive temperature coefficient (PTC) refers to materials that experience an increase in electrical resistance when their temperature is raised.
R1, R2, ...	<a href="#">Frame (size)</a>
Rectifier	Converts alternating current and voltage to direct current and voltage.
SIL	Safety integrity level. See chapter <a href="#">Safe torque off function</a> on page 231.
STO	Safe torque off. See chapter <a href="#">Safe torque off function</a> on page 231.



# Operation principle and hardware description

---

## Contents of this chapter

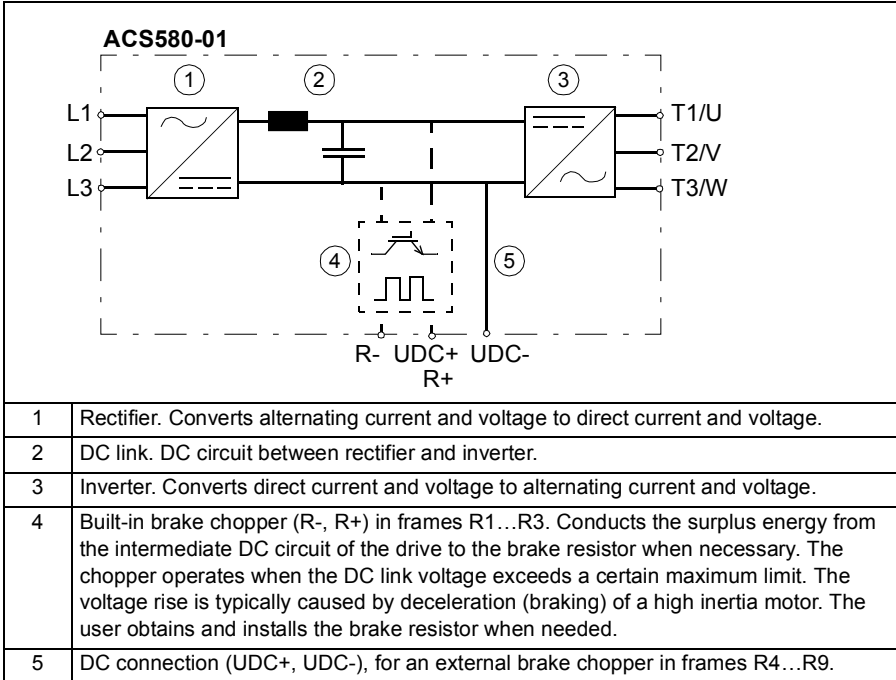
This chapter briefly describes the operation principle, layout, type designation label and type designation information. It also shows a general diagram of power connections and control interfaces.

---

## Operation principle

The ACS580-01 is a drive for controlling asynchronous AC induction motors, permanent magnet motors and synchronous reluctance motors (SynRM).

The figure below shows the simplified main circuit diagram of the drive.

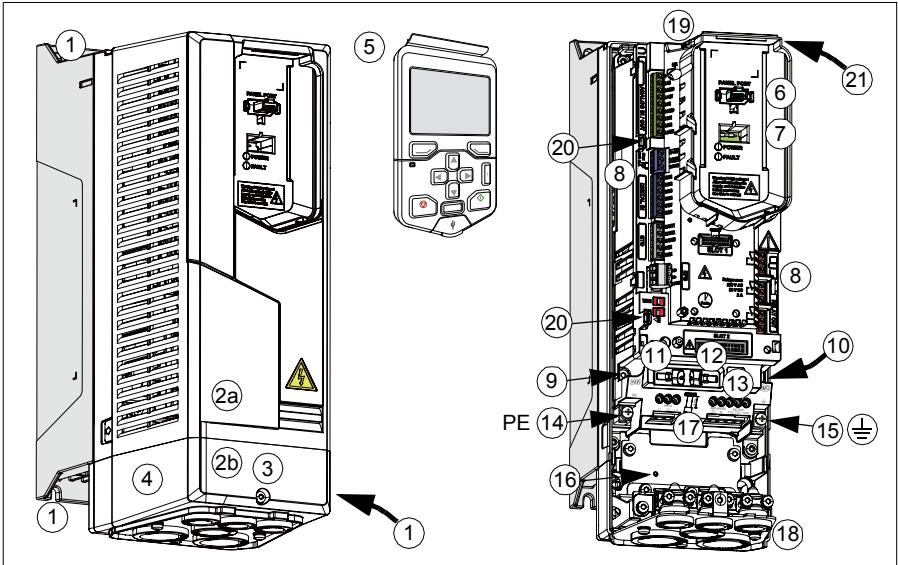


## Layout

### Frames R1...R2

The layout of a frame R1 drive is presented below. The main structure of frame R2 is similar to R1. IP55 frames are also slightly different from IP21 frames, for example, IP21 front cover has two parts while IP55 front cover only has one part.

### R1 IP21

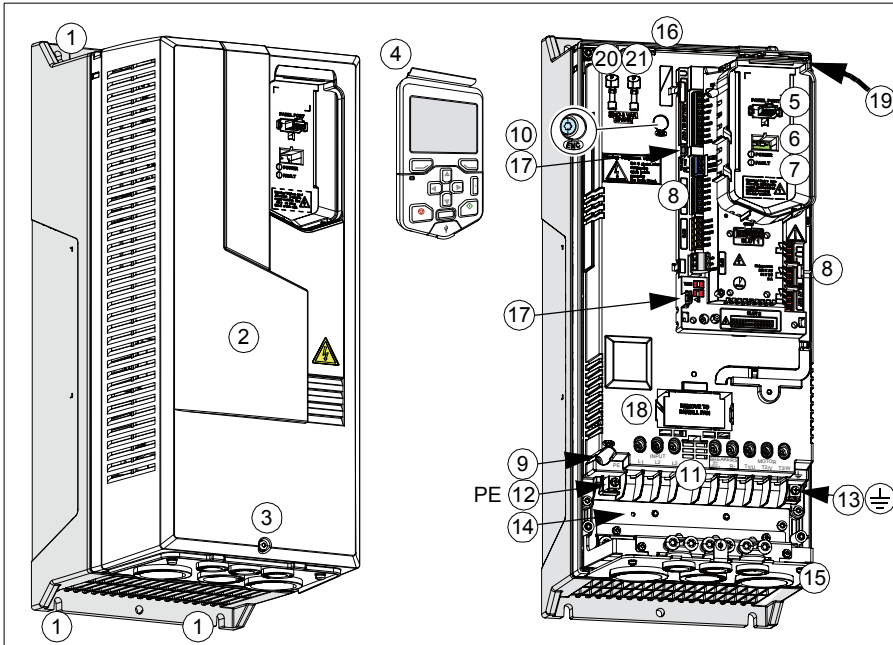


1	Mounting points (4 pieces)
2	Cover: upper part (2a), lower part (2b)
3	Cover screw
4	Cable/conduit box
5	Control panel
6	Control panel connection
7	Cold configuration connection for CCA-01
7	Power OK and Fault LEDs. See section <a href="#">LEDs</a> on page 156.
8	I/O connections. See section <a href="#">External control connection terminals, frames R1...R5</a> on page 35.
9	Varistor grounding screw (VAR). See <a href="#">Checking the compatibility with IT (ungrounded) and corner-grounded TN systems</a> on page 91.

10	EMC filter grounding screw (EMC). See <a href="#">Checking the compatibility with IT (ungrounded) and corner-grounded TN systems</a> on page 91.
11	Place for storing the removed VAR screw
12	Place for storing the removed EMC screw
13	input power connection (L1, L2, L3), motor connection (T1/U, T2/V, T3/W) and brake connection (R-, R+)
14	PE connection (power line)
15	Grounding connection (motor)
16	Additional grounding connection
17	Stripping length (8 mm) checker
18	Cable entry
19	Main cooling fan
20	Cable tie mounts for I/O cables
21	Auxiliary cooling fan connector

Frame R3

R3 IP21

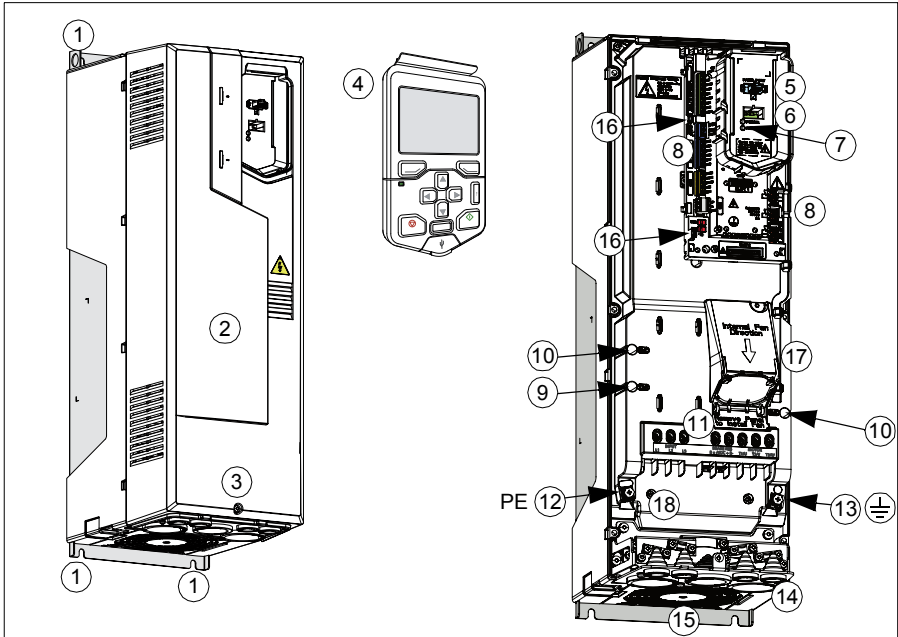


1	Mounting points (4 pieces)
2	Cover
3	Cover screw
4	Control panel
5	Control panel connection
6	Cold configuration connection for CCA-01
7	Power OK and Fault LEDs. See section <a href="#">LEDs</a> on page 156.
8	I/O connections. See section <a href="#">External control connection terminals, frames R1...R5</a> on page 35.
9	Varistor grounding screw (VAR). See <a href="#">Checking the compatibility with IT (ungrounded) and corner-grounded TN systems</a> on page 91.
10	EMC filter grounding screw (EMC). See <a href="#">Checking the compatibility with IT (ungrounded) and corner-grounded TN systems</a> on page 91.

11	Input power connection (L1, L2, L3), motor connection (T1/U, T2/V, T3/W) and brake connection (R-, R+)
12	PE connection (power line)
13	Grounding connection (motor)
14	Additional grounding connection
15	Cable entry
16	Main cooling fan
17	Cable tie mounts for I/O cables
18	Auxiliary cooling fan. For IP55/UL Type 12 drives only.
19	Auxiliary cooling fan connector
20	Place for storing the removed EMC screw
21	Place for storing the removed VAR screw

## Frame R4

### R4 IP21

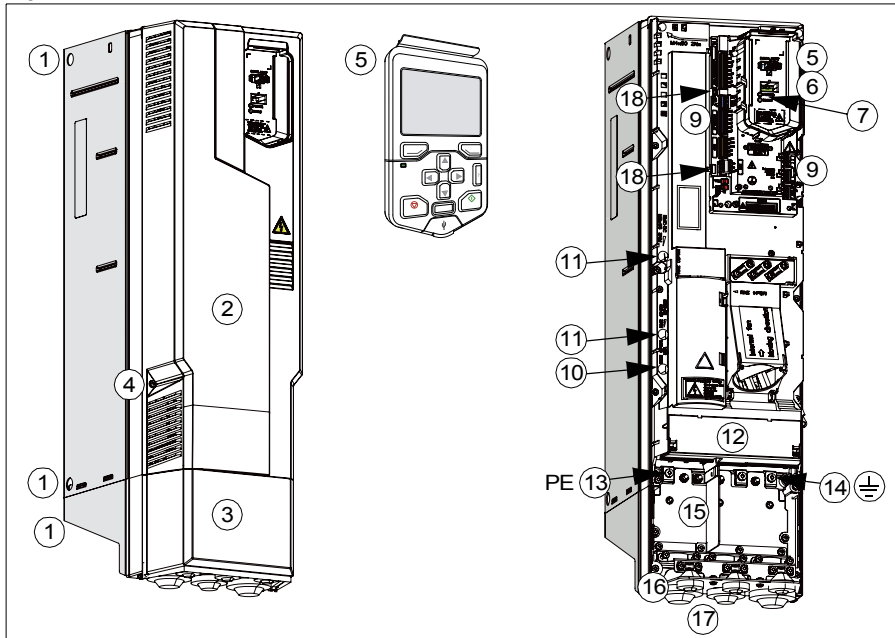


1	Mounting points (4 pieces)
2	Cover
3	Cover screw
4	Control panel
5	Control panel connection
6	Cold configuration connection for CCA-01
7	Power OK and Fault LEDs. See section <a href="#">LEDs</a> on page 156.
8	I/O connections. See section <a href="#">External control connection terminals, frames R1...R5</a> on page 35.
9	Varistor grounding screw (VAR). See <a href="#">Checking the compatibility with IT (ungrounded) and corner-grounded TN systems</a> on page 91.

10	Two EMC filter grounding screws (EMC). See <a href="#">Checking the compatibility with IT (ungrounded) and corner-grounded TN systems</a> on page 91.
11	Input power connection (L1, L2, L3), motor connection (T1/U, T2/V, T3/W) and brake connection (R-, R+)
12	PE connection (power line)
13	Grounding connection (motor)
14	Cable entry
15	Main cooling fan
16	Cable tie mounts for I/O cables
17	Auxiliary cooling fan. For IP55/UL Type 12 drives only.

Frame R5

R5 IP21



1	Mounting points (6 pieces: 2 at the top, 2 at the bottom of the main part of the frame, 2 at the top of the cable box)
2	Cover
3	Cable/conduit box
4	Cover screws (2 pieces)
5	Control panel
6	Control panel connection
7	Cold configuration connection for CCA-01
8	Power OK and Fault LEDs. See section <a href="#">LEDs</a> on page 156.
9	I/O connections. See section <a href="#">External control connection terminals, frames R1...R5</a> on page 35.
10	Varistor grounding screw (VAR). See <a href="#">Checking the compatibility with IT (ungrounded) and corner-grounded TN systems</a> on page 91.

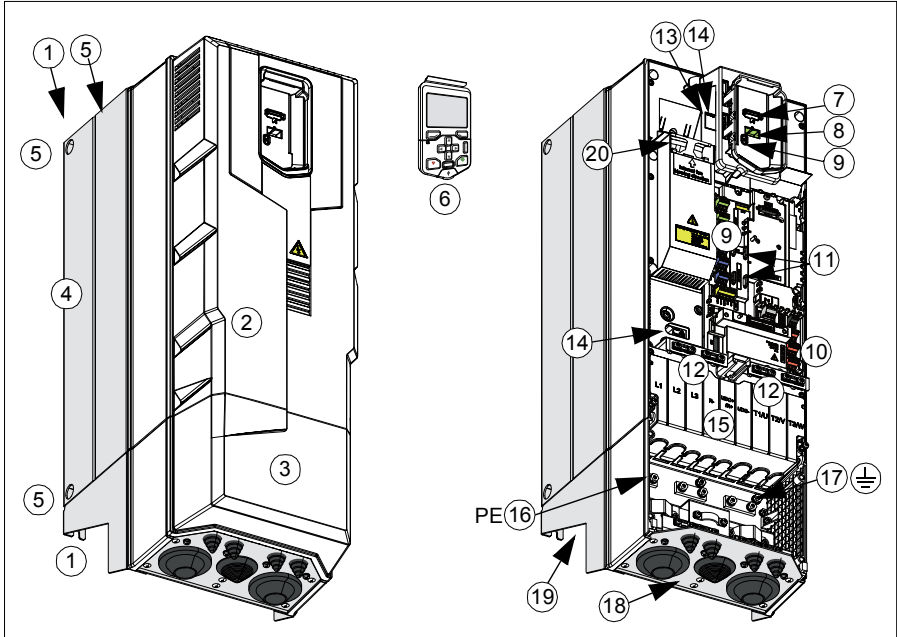
11	Two EMC filter grounding screws (EMC). See <a href="#">Checking the compatibility with IT (ungrounded) and corner-grounded TN systems</a> on page 91.
12	Input power connection (L1, L2, L3), motor connection (T1/U, T2/V, T3/W) and DC connection (UDC+, UDC-) under the shroud
13	PE connection (power line)
14	Grounding connection (motor)
15	Cable box plate
16	Cable entry
17	Main cooling fan
18	Cable tie mounts for I/O cables



## Frames R6...R9

The layout of a frame R6 drive is presented below. The constructions of frames R6...R9 differ to some extent.

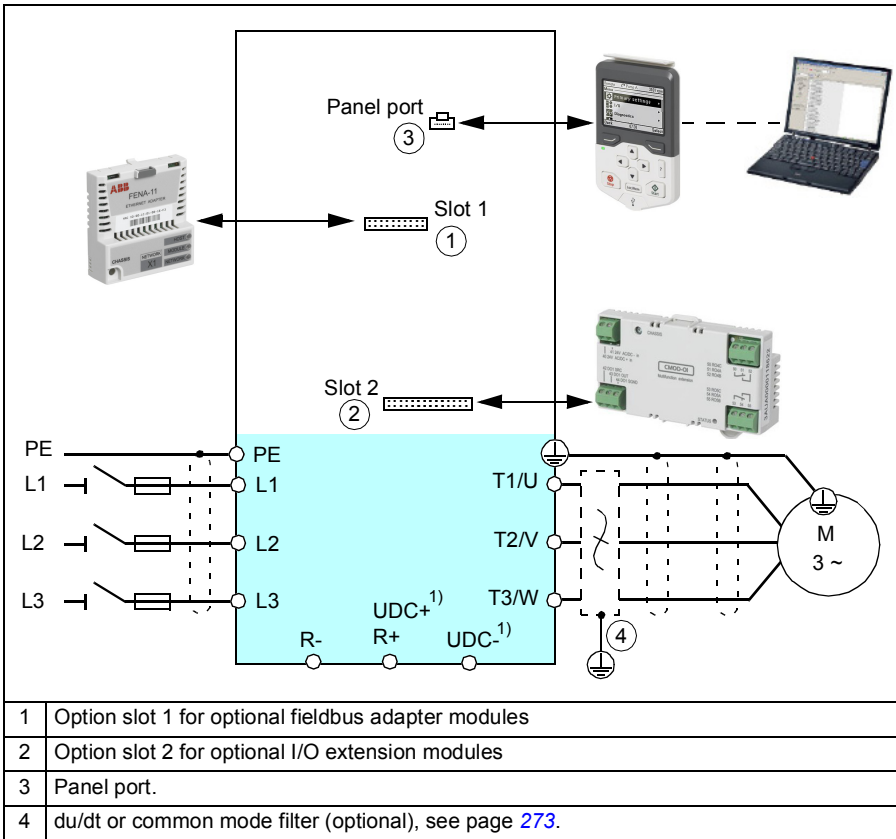
### R6 IP21



1	Mounting points (6 pieces: 2 at the top, 2 at the bottom of the main part of the frame, 2 at the top of the cable box)	13	Varistor grounding screw (VAR), under the control panel platform
2	Cover	14	Two EMC filter grounding screws (EMC), one under the control panel platform and one at the left, above the shroud. See <a href="#">Checking the compatibility with IT (ungrounded) and corner-grounded TN systems</a> on page 91.
3	Cable/conduit box	15	Shroud. Under the shroud: Input power connection (L1, L2, L3), motor connection (T1/U, T2/V, T3/W) and DC connection (UDC+, UDC-).
4	Heatsink	16	PE connection (power line)
5	Lifting holes (6 pieces)	17	Grounding connection (motor)
6	Control panel	18	Cable entry
7	Control panel connection	19	Main cooling fan
8	Cold configuration connection for CCA-01	20	Auxiliary cooling fan
9	Power OK and Fault LEDs. See section <a href="#">LEDs</a> on page 156.		
10	I/O connections. See section <a href="#">External control connection terminals, frames R6...R9</a> on page 36.		
11	Cable tie mounts for I/O cables		
12	Clamps for I/O cable mechanical support		

## Overview of power and control connections

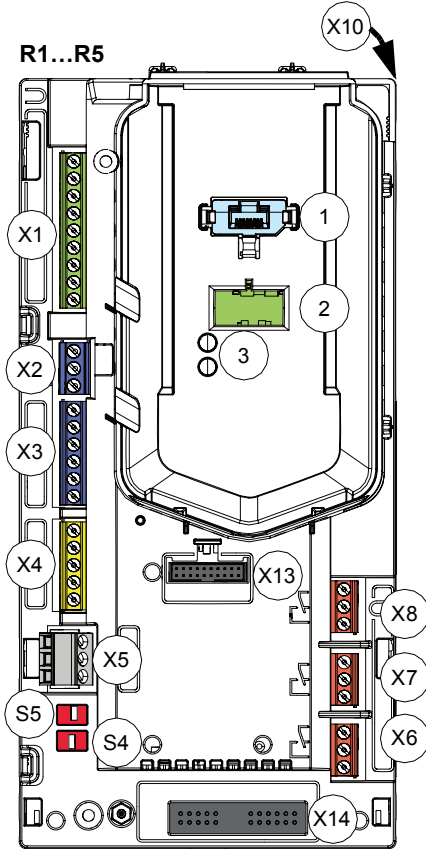
The logical diagram below shows the power connections and control interfaces of the drive.



<sup>1)</sup> Not in all frame sizes.

■ External control connection terminals, frames R1...R5

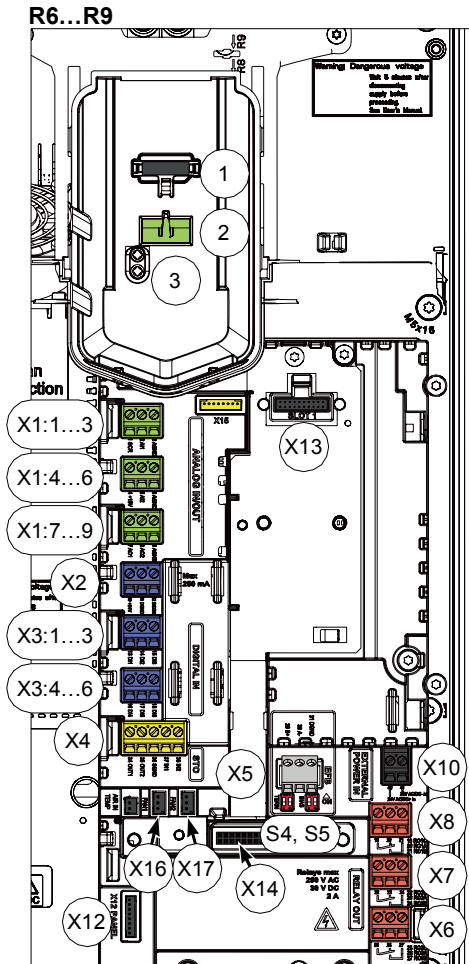
The layout of the external control connection terminals of the R1 frame is shown below. Layout of the external control connection terminals is identical in frames R1...R5 but the location of the control board with the terminals is different in frames R3...R5.



	Description
X1	Analog inputs and outputs
X2	Aux. voltage output
X3	Programmable digital inputs
X4	Safe torque off connection
X5	Embedded fieldbus
X6	Relay output 3
X7	Relay output 2
X8	Relay output 1
X10	Auxiliary fan connection (IP55)
X13	Option slot 1 (fieldbus adapter modules)
X14	Option slot 2 (I/O extension modules)
S4, S5	Termination switch (S4), bias resistor switch (S5), see section <a href="#">Switches</a> on page 120
1	Panel port (control panel connection)
2	Cold configuration connection. This connector is used with the CCA-01 configuration adapter.
3	Power OK and Fault LEDs. See section <a href="#">LEDs</a> on page 156.

## External control connection terminals, frames R6...R9

The layout of the external control connection terminals of frames R6...R9 is shown below.



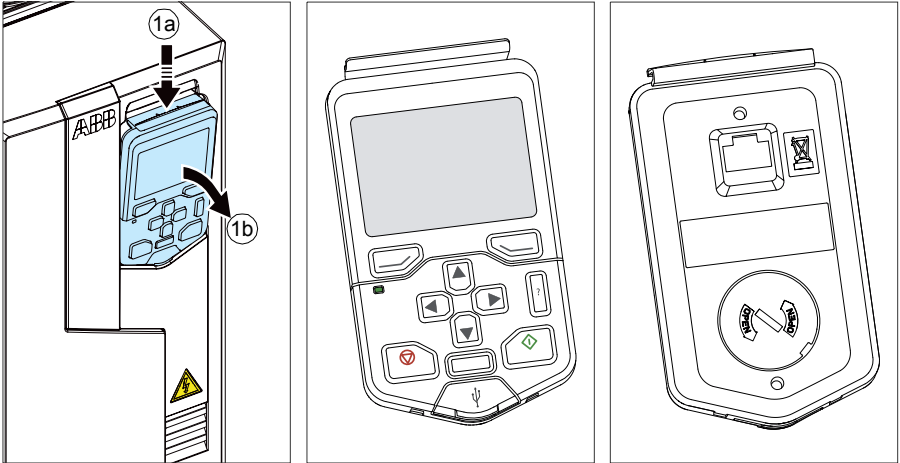
	Description
X1	Analog inputs and outputs
X2	Aux. voltage output
X3	Digital inputs
X4	Safe torque off connection
X5	Connection to embedded EIA-485 fieldbus adapter module
X6	Relay output 3
X7	Relay output 2
X8	Relay output 1
X10	External +24 V AC/DC input connection
X12	Panel connection
X13	Option slot 1 (fieldbus adapter modules)
X14	Option slot 2 (I/O extension modules)
X16	Auxiliary fan 1 connection
X17	Auxiliary fan 2 connection
S4, S5	Termination switch (S4), bias resistor switch (S5), see section <a href="#">Switches</a> on page 120
1	Panel port (control panel connection)
2	Cold configuration connection. This connector is used with the CCA-01 configuration adapter.
3	Power OK and Fault LEDs. See section <a href="#">LEDs</a> on page 156.



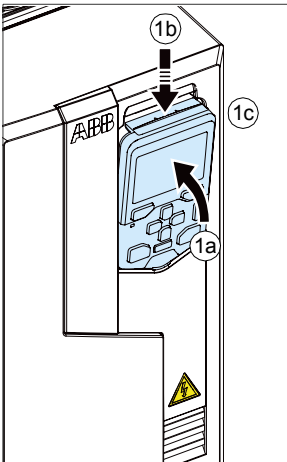
**WARNING!** Do not connect the +24 V AC cable to the control board ground when the control board is powered using an external 24 V AC supply.

## Control panel

To remove the control panel, press the retaining clip at the top (1a) and pull it forward from the top edge (1b).



To reinstall the control panel, put the bottom of the container in position (1a), press the retaining clip at the top (1b) and push the control panel in at the top edge (1c).



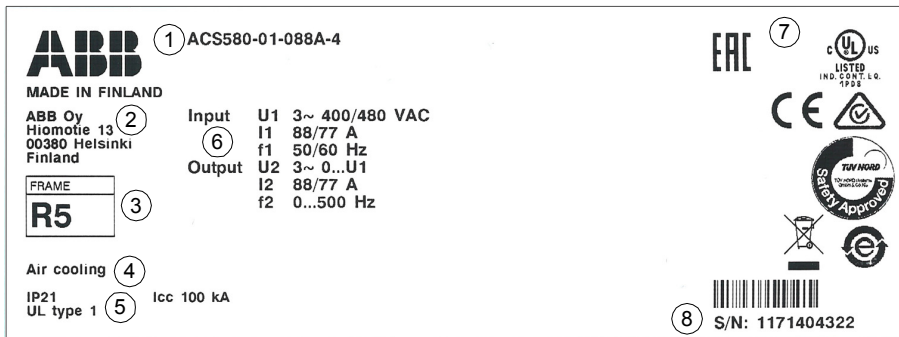
For the use of the control panel, see *ACS580 standard control program firmware manual* (3AXD5000016097 [English]) and *ACS-AP-X assistant control panels user's manual* (3AUA0000085685 [English]).

## Control panel door mounting kits

Door mounting kits for the control panel are available. For more information see *DPMP-01 mounting platform for control panels* (3AUA0000100140 [English]) or *DPMP-02/03 mounting platform for control panels* (3AUA0000136205 [English]).

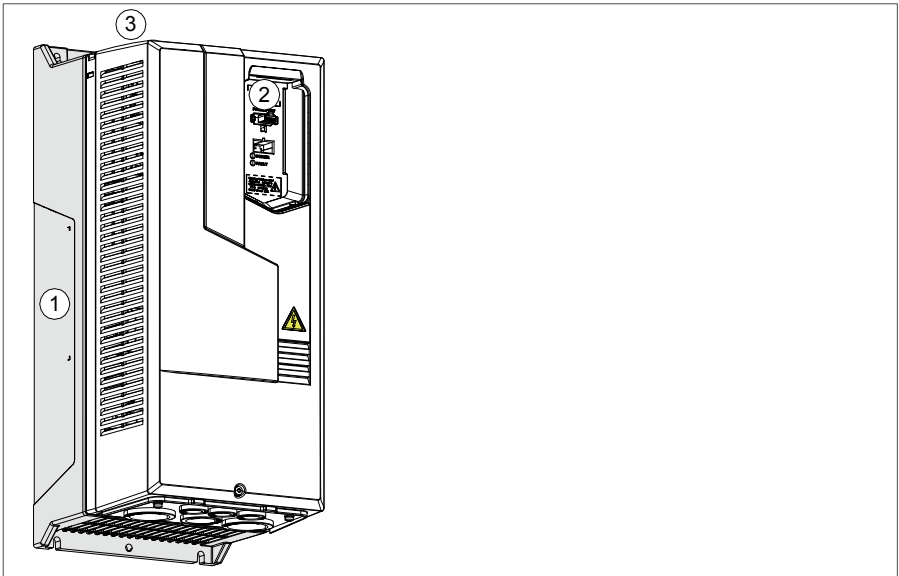
## Type designation label

The type designation label includes IEC and NEMA ratings, appropriate markings and the type designation and serial number, which allow identification of each drive. The type designation label is located on the left side of the drive, see section [Locations of the labels on the drive](#). An example label is shown below.



No.	Description
1	Type designation, see section <a href="#">Type designation key</a> on page 40.
2	Name and address of the manufacturer
3	Frame (size)
4	Type of the drive, for example, with Air cooling or Liquid cooling, and so on.
5	Degree of protection
6	Nominal ratings in the supply voltage range, see section <a href="#">Ratings</a> on page 160, section <a href="#">Electrical power network specification</a> on page 183 and section <a href="#">Motor connection data</a> on page 183. Input voltage range 3~ 380...480V AC. This is indicated in the type designation label as typical input voltage levels ( $U_1$ ) (3~ 400/480V AC). See page 183 for further information.
7	Valid markings
8	S/N: Serial number of format MYYWWXXXX, where M: Manufacturing plant YY: 16, 17, 18, ... for 2016, 2017, 2018, ... WW: 01, 02, 03, ... for week 1, week 2, week 3, ... XXXXX: Digits making the serial number unique

■ Locations of the labels on the drive



<p>1</p>	<p><b>ABB</b> ACS580-01-088A-4  <b>MADE IN FINLAND</b>          ABB Oy          Hiomotie 13          00380 Helsinki          Finland</p> <table border="0"> <tr> <td>Input</td> <td>U1</td> <td>3~ 400/480 VAC</td> </tr> <tr> <td></td> <td>I1</td> <td>88/77 A</td> </tr> <tr> <td></td> <td>f1</td> <td>50/60 Hz</td> </tr> <tr> <td>Output</td> <td>U2</td> <td>3~ 0...U1</td> </tr> <tr> <td></td> <td>I2</td> <td>88/77 A</td> </tr> <tr> <td></td> <td>f2</td> <td>0...500 Hz</td> </tr> </table> <p>FRAME  <b>R5</b></p> <p>Air cooling          IP21      Icc 100 kA          UL type 1</p>	Input	U1	3~ 400/480 VAC		I1	88/77 A		f1	50/60 Hz	Output	U2	3~ 0...U1		I2	88/77 A		f2	0...500 Hz	<p>ERC</p> <p>UL US LISTED IND. CONTROL L.G. 1995</p> <p>CE</p> <p>TUV MARK Safety Approved</p> <p>S/N: 1171404322</p>
Input	U1	3~ 400/480 VAC																		
	I1	88/77 A																		
	f1	50/60 Hz																		
Output	U2	3~ 0...U1																		
	I2	88/77 A																		
	f2	0...500 Hz																		
<p>2</p>	<p>ACS580-01-088A-4          S/N: 1171404322          SW v2.02</p>																			
<p>3</p>	<p>U1 3~ 400/480 VAC          I2 88/77 A          Pn 45 kW/60 hp</p>	<p>ACS580-01-088A-4</p> <p>S/N: 1171404322</p>																		

## Type designation key

The type designation contains information on the specifications and configuration of the drive. You find the type designation on the type designation label attached to the drive. The first digits from the left express the basic configuration, for example, ACS580-01-12A7-4. The optional selections are given after that, separated by plus signs, for example, +L501. The main selections are described below. Not all selections are available for all types.

ACS580-01-12A7-4+L501+K457+...

①

②

③

④

	CODE	DESCRIPTION
	<b>Basic codes</b>	
①	ACS580	Product series
	01	When no options are selected: Wall mounted, IP21 (UL Type 1), assistant control panel with a USB port, choke, EMC C2 filter (internal EMC filter), safe torque off, braking chopper in frames R1, R2, R3, coated boards, cable lead through entry from the bottom, cable box or the conduit plate with cable entries, quick installation and start-up guide (multilingual).
②	<b>Size</b>	
	xxxx	Refer to the rating table, page <a href="#">160</a>
③	<b>Voltage rating</b>	
	4	400/480 V (380...480 V). See page <a href="#">183</a> for further information.
④	<b>Option codes (plus codes)</b>	
	<b>Control panel and panel options</b>	
	J400	ACS-AP-S Assistant control panel (as standard)
	J425	ACS-AP-I Assistant control panel
	J429	ACS-AP-W Assistant control panel with a bluetooth interface
	J404	ACS-BP-S Basic control panel
	J424	CDUM-01 Blank control panel cover (no control panel)
	<b>I/O (one slot available for I/O options)</b>	
	L501	CMOD-01 External 24 V AC/DC and digital I/O extension (2×RO and 1×DO)
	L523	CMOD-02 External 24 V AC/DC and isolated PTC interface
	L537	CPTC-02 ATEX Certified PTC interface and external 24V
	L512	CHDI-01 115/230 V Digital input extension (6×DI and 2×RO)
	L537	ATEX certified PTC interface and external 24 V. Requires option Q971.
	<b>Safety</b>	
	Q971	ATEX certified safe disconnection function, EX II (2) GD. Sold only with option L357.



CODE	DESCRIPTION
<b>Fieldbus adapters</b>	
K454	FPBA-01 PROFIBUS DP
K457	FCAN-01 CANopen
K451	FDNA-01 DeviceNet™
K473	FENA-11 Ethernet (EtherNet/IP™, Modbus/TCP, PROFINET)
K469	FECA-01 EtherCAT
K458	FSCA-01 Modbus/RTU
K470	FEPL-02 Ethernet POWERLINK
K462	FCNA-01 ControlNet™
K475	FENA-21 2-port Ethernet (EtherNet/IP™, Modbus/TCP, PROFINET)
<b>Embedded fieldbus</b>	
	CEIA-01 Embedded Modbus RTU adapter, EIA-485 (as standard)
<b>Construction</b>	
B056	IP55 (UL type 12). Factory option, retro-fit not possible.
C135	Flange mounting kit
H358	Cable conduit plate, blank.
<b>Full set of printed manuals in selected language. Note:</b> The delivered manual set may include manuals in English if the translation is not available.	
R700	English
R701	German
R702	Italian
R703	Dutch
R704	Danish
R705	Swedish
R706	Finnish
R707	French
R708	Spanish
R709	Portuguese (Portugal)
R711	Russian
R712	Chinese
R714	Turkish

3AXD10000081909



## 4

# Mechanical installation

---

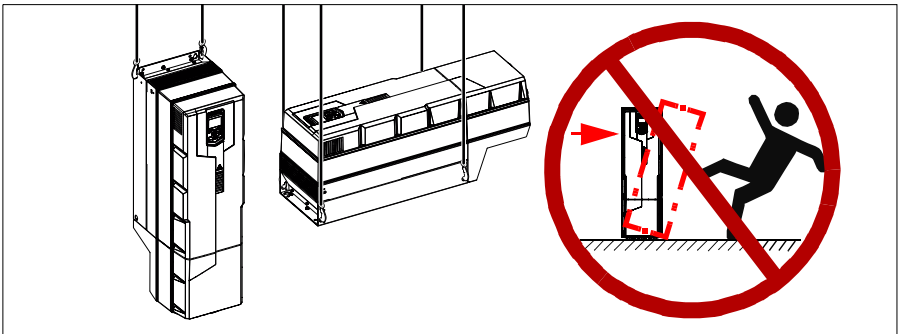
## Contents of this chapter

The chapter tells how to check the installation site, unpack, check the delivery and install the drive mechanically.

## Safety



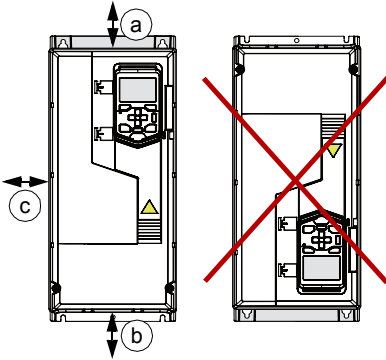
**WARNING!** Frames R5...R9: Lift the drive with a lifting device. Use the lifting eyes of the drive. Do not tilt the drive. **The drive is heavy and its center of gravity is high. An overturning drive can cause physical injury.**



## Checking the installation site

The drive must be installed on the wall. There are three alternative ways to install it:

- vertically alone. Do not install the drive upside down.



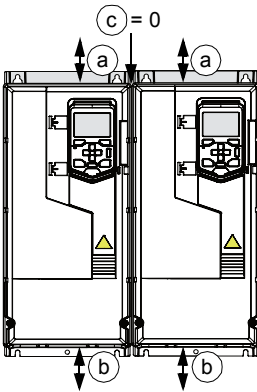
Frame size	Vertical installation - Free space					
	Above (a)		Below (b) <sup>1)</sup>		Beside	
	mm	in	mm	in	mm	in
R1	200	7.9	30	1.2	150	5.9
R2	200	7.9	30	1.2	150	5.9
R3	200	7.9	200	7.9	200	7.9
R4	53	2.1	200	7.9	150	5.9
R5	100	3.9	200	7.9	150	5.9
R6	155	6.1	300	11.8	150	5.9
R7	155	6.1	300	11.8	150	5.9
R8	155	6.1	300	11.8	150	5.9
R9	200	7.9	300	11.8	150	5.9

3AXD00000586715.xls J

1) Free space below is measured from the frame, not from the cable box used in frames R1...R2 and R5...R9.



- vertically side by side



Frame size	Vertical installation side by side - Free space					
	Above (a)		Below (b) <sup>1)</sup>		Between (c)	
	mm	in	mm	in	mm	in
R1	200	7.9	200	7.9	0	0
R2	200	7.9	200	7.9	0	0
R3	200	7.9	200	7.9	0	0
R4	200	7.9	200	7.9	0	0
R5	200	7.9	200	11.8	0	0
R6	200	7.9	300	11.8	0	0
R7	200	7.9	300	11.8	0	0
R8	200	7.9	300	11.8	0	0
R9	200	7.9	300	11.8	0	0

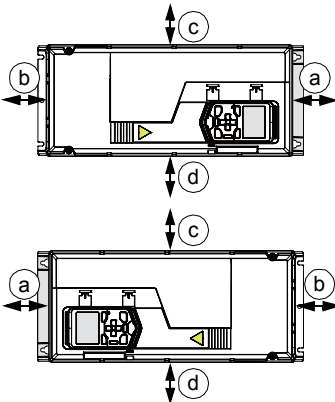
3AXD00000586715.xls J

<sup>1)</sup> Free space below is measured from the frame, not from the cable box used in frames R1...R2 and R5...R9.

- horizontally alone, IP21 (UL Type 1) only

**Note 1:** The vibration specification in section [Ambient conditions](#) on page 192 may not be fulfilled.

**Note 2:** In the horizontal mounting, the drive is not protected from dripping water.



Frame size	Horizontal installation - Free space			
	Above (a)		Below (b)	
	mm	in	mm	in
R1	200	7.9	30	1.2
R2	200	7.9	30	1.2
R3	200	7.9	30	1.2
Frame size	Side up (c)		Side down (d)	
	mm	in	mm	in
R1	30	1.2	200	7.9
R2	30	1.2	200	7.9
R3	30	1.2	200	7.9

3AXD00000586715.xls J

Check the installation site according to the requirements below:

- The installation site is sufficiently ventilated or cooled to transfer away the drive losses. See section [Losses, cooling data and noise](#) on page 176.
- The operation conditions of the drive meet the specifications given in section [Ambient conditions](#) on page 192.
- The wall is as close to vertical as possible, of non-flammable material and strong enough to carry the weight of the drive, see section [Dimensions, weights and free space requirements](#) on page 173.
- The floor/material below the installation is non-flammable.
- There is enough free space above and below the drive to enable cooling air flow, service and maintenance, See the required free space tables for each of the different mounting alignments on page 44 (or page 173).

## Required tools

To install the drive mechanically, you need the following tools:

- drill with suitable bits
- screwdriver and/or wrench with a set of suitable bits (as appropriate for the installation hardware used)
- tape measure, if you will not be using the provided mounting template.

## Moving the drive

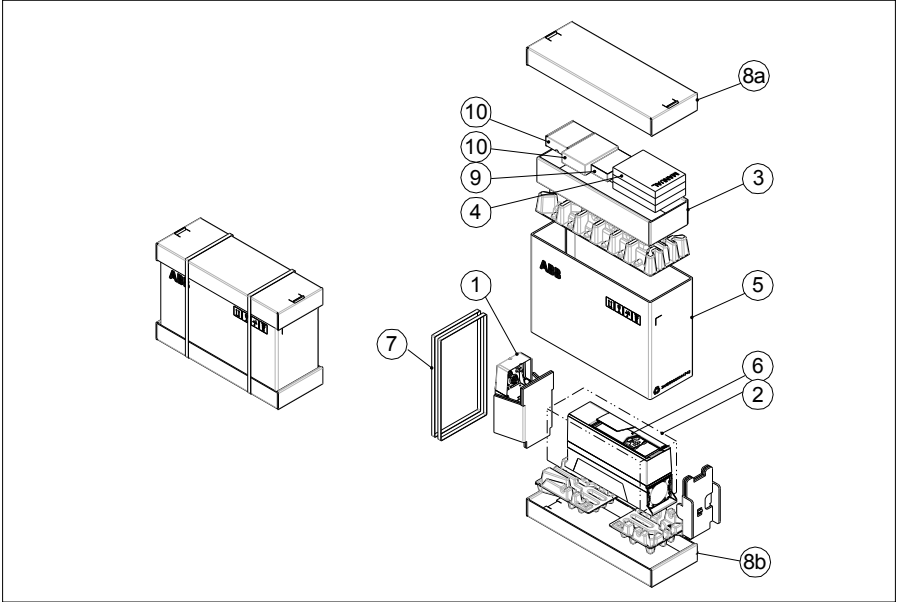


Frames R5...R9: Move the transport package by pallet truck to the installation site.

---

## Unpacking and examining delivery, frames R1 and R2

The figure below shows the layout of the transport package. Examine that all items are present and there are no signs of damage. Read the data on the type designation label of the drive to make sure that the drive is of the correct type. See section [Type designation label](#) on page 38.



1	Cable box package. <b>Note:</b> The cable box is mounted to the IP55 drive module frame at the factory.
2	Drive
3	Option tray
4	In the option tray <ul style="list-style-type: none"> <li>• Multilingual quick installation and start-up guide</li> <li>• User's manual (if ordered with a plus code)</li> <li>• Multilingual residual voltage warning stickers</li> </ul>
5	Cardboard box. Mounting template in the cardboard box.

6	Plastic bag
7	Straps
8	Tray
9	Control panel selected in the order (in a separate package) in the option box
10	Possible options in separate packages, if they have been ordered with a plus code, such as for example +K457 (FCAN-01 CANopen adapter module) in the option box. US: Options are installed at the factory.
<b>Note:</b> Hood included with option +B056 (IP55/UL Type 12) in North America	

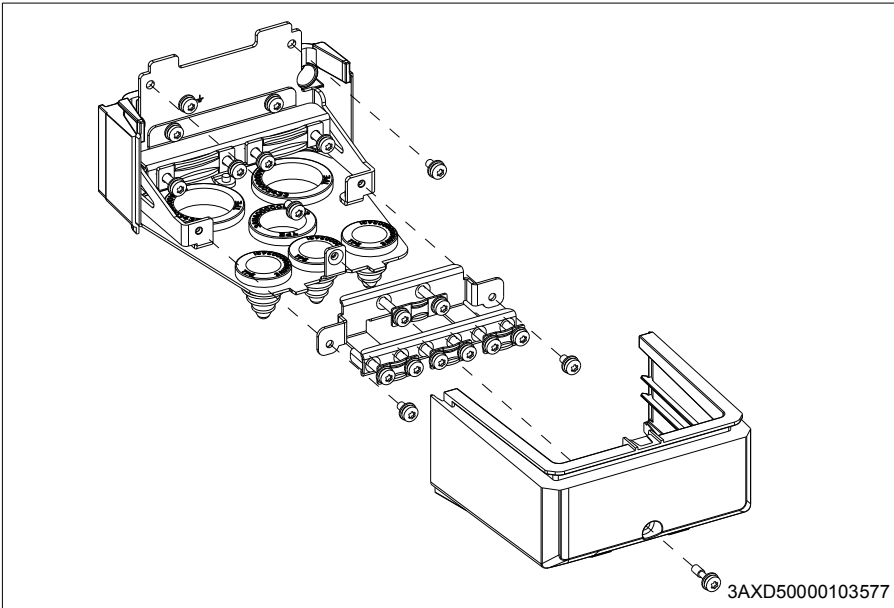


To unpack:

- Cut the straps (7).
- Remove the upper tray (8a) and option tray (3).
- Remove the cardboard box (5).
- Remove the plastic bag (2).
- Lift the drive.

### ■ Frames R1 and R2 cable box (IP21, UL Type 1)

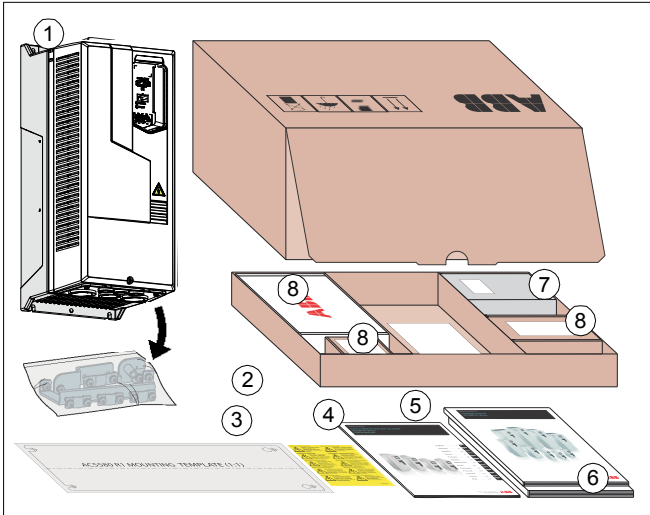
This illustration shows the contents of the cable box package. The package also includes an assembly drawing which shows how to install the cable box to the drive module frame.





## Unpacking and examining delivery, frames R3...R4

The figure below shows the drive package with its contents. Examine that all items are present and there are no signs of damage. Read the data on the type designation label of the drive to make sure that the drive is of the correct type. See section [Type designation label](#) on page 38.



1	Drive (frame R3 shown)
2	Mounting accessories in plastic bag(s), under the drive cover
3	Mounting template
4	Multilingual residual voltage warning stickers
5	Multilingual quick installation and start-up guide

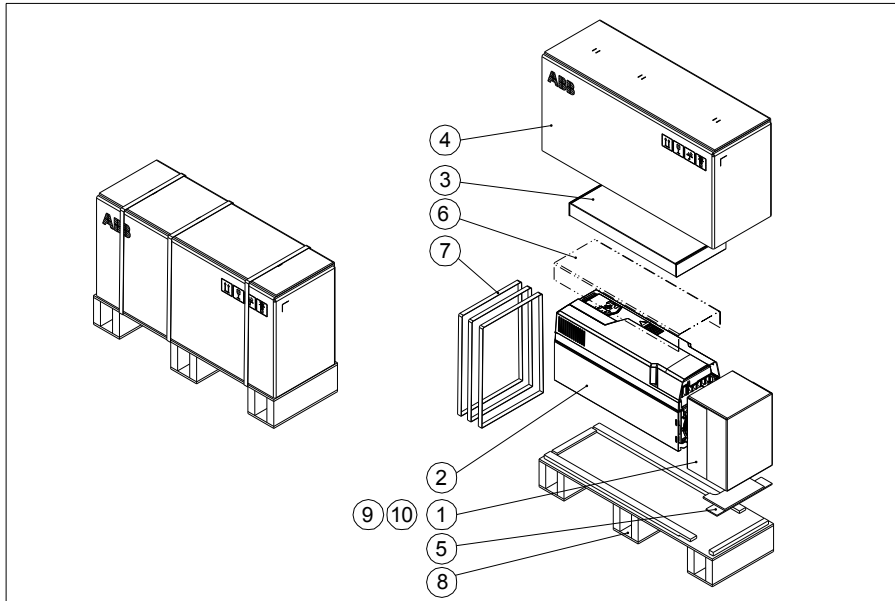
6	Hardware and software manuals (if ordered with a plus code)
7	Control panel selected in the order (in a separate package)
8	Possible options in separate packages, if they have been ordered with a plus code, such as for example +K457 (FCAN-01 CANopen adapter module). US: Options are installed at the factory.

**Note:** Hood included with option +B056 (IP55/UL Type 12) in North America



## Unpacking and examining delivery, frame R5

The figure below shows the layout of the transport package. Examine that all items are present and there are no signs of damage. Read the data on the type designation label of the drive to make sure that the drive is of the correct type. See section [Type designation label](#) on page 38.



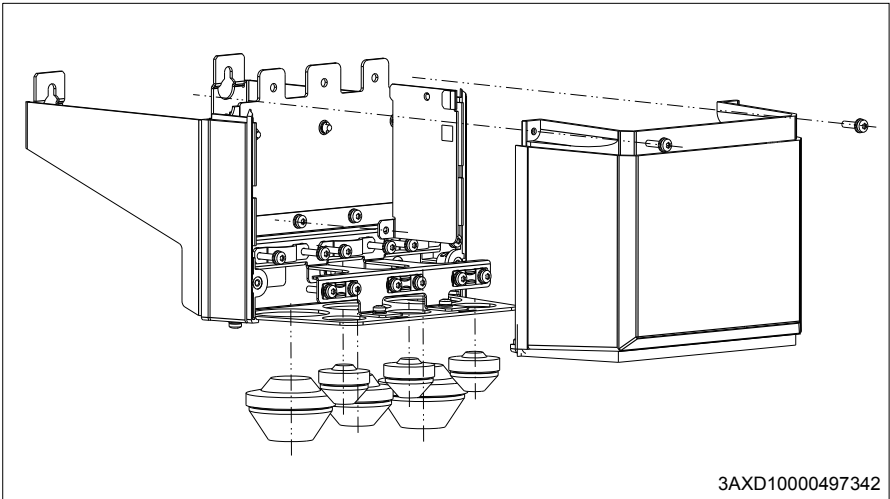
1	Cable box package. <b>Note:</b> The cable box is mounted to the IP55 drive module frame at the factory.	5	Stopper
2	Drive	6	Cover protecting film
3	In the option box <ul style="list-style-type: none"> <li>• Multilingual quick installation and start-up guide</li> <li>• User's manual (if ordered with a plus code)</li> <li>• Multilingual residual voltage warning stickers</li> </ul>	7	Straps
4	Cardboard box. Mounting template in the cardboard box.	8	Pallet
		9	Control panel selected in the order (in a separate package) in the option box
		10	Possible options in separate packages, if they have been ordered with a plus code, such as for example +K457 (FCAN-01 CANopen adapter module) in the option box. US: Options are installed at the factory.
		<b>Note:</b> Hood included with option +B056 (IP55/UL Type 12) in North America	

To unpack:

- Cut the straps (7).
- Remove the cardboard box (4) and option box (3).
- Remove the cover protecting film (6).
- Lift the drive.

### ■ Frame R5 cable box (IP21, UL Type 1)

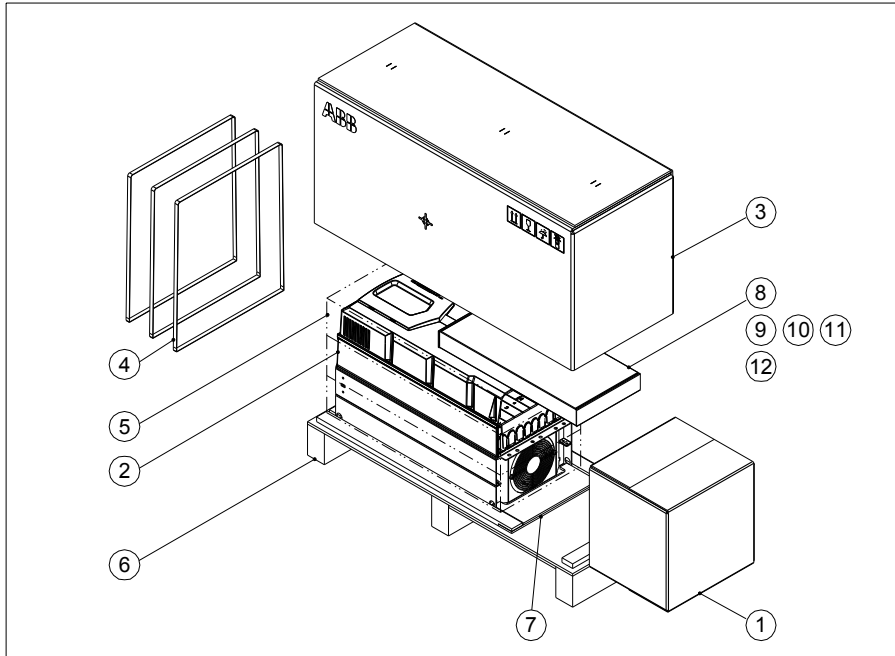
This illustration shows the contents of the cable box package. The package also includes an assembly drawing which shows how to install the cable box to the drive module frame.



3AXD10000497342

## Unpacking and examining delivery, frames R6...R9

The figure below shows the layout of the transport package. Examine that all items are present and there are no signs of damage. Read the data on the type designation label of the drive to make sure that the drive is of the correct type. See section [Type designation label](#) on page 38.



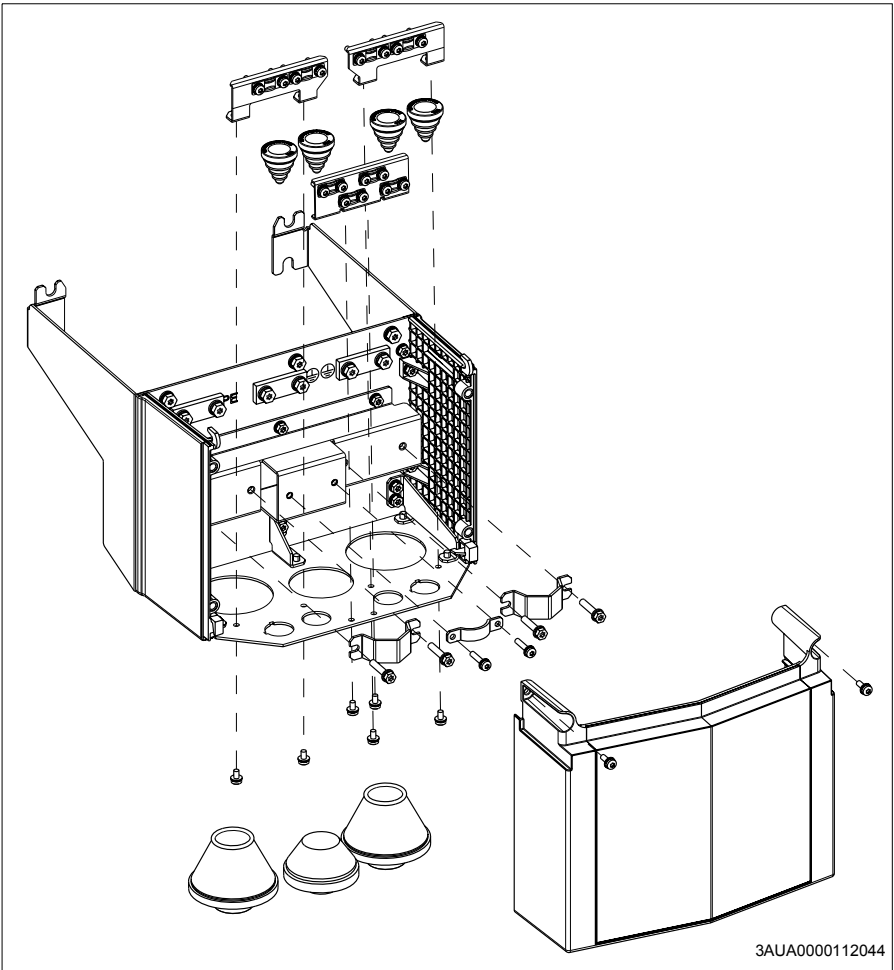
1	Cable box. Power and control cable grounding shelves in a plastic bag, assembly drawing. <b>Note:</b> The cable box is mounted to the IP55 drive module frame at the factory.	9	In the option tray <ul style="list-style-type: none"> <li>• Multilingual quick installation and start-up guide</li> <li>• User's manual (if ordered with a plus code)</li> <li>• Multilingual residual voltage warning stickers</li> </ul>
2	Drive with factory installed options.	10	Control panel selected in the order (in a separate package) in the option tray
3	Cardboard box	11	Possible options in separate packages, if they have been ordered with a plus code, such as for example +K457 (FCAN-01 CANopen adapter module) in the option tray. US: Options are installed at the factory.
4	Straps	12	Mounting template on top of the option tray
5	VCI bag for protecting against corrosion	<b>Note:</b> Hood included with option +B056 (IP55/UL Type 12) in North America	
6	Pallet		
7	Stopper		
8	Option tray		

To unpack:

- Cut the straps (4).
- Remove the cardboard box (3) and option tray (8).
- Remove the VCI bag (5).
- Attach lifting hooks to the lifting eyes of the drive (see the figure on page 43). Lift the drive with a hoist.

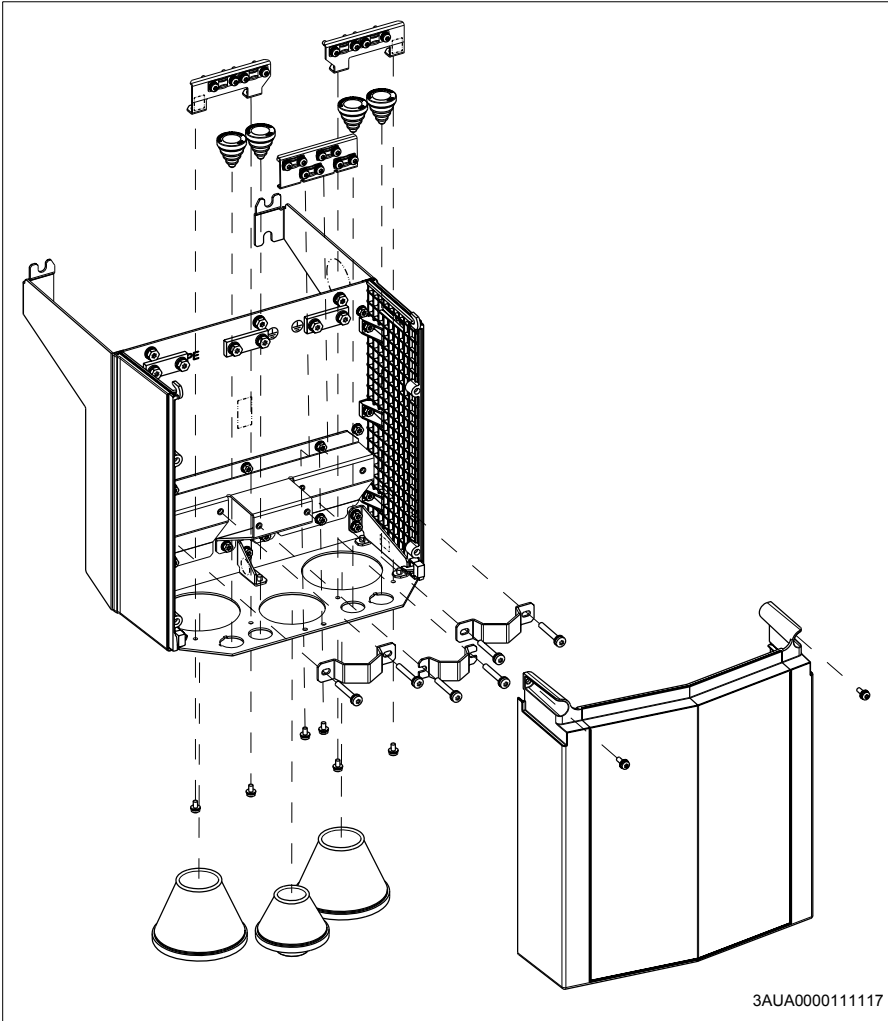
### ■ Frame R6 cable box (IP21, UL Type 1)

The figure below shows the contents of the cable box package. The package also includes an assembly drawing which shows how to install the cable box to the drive frame.



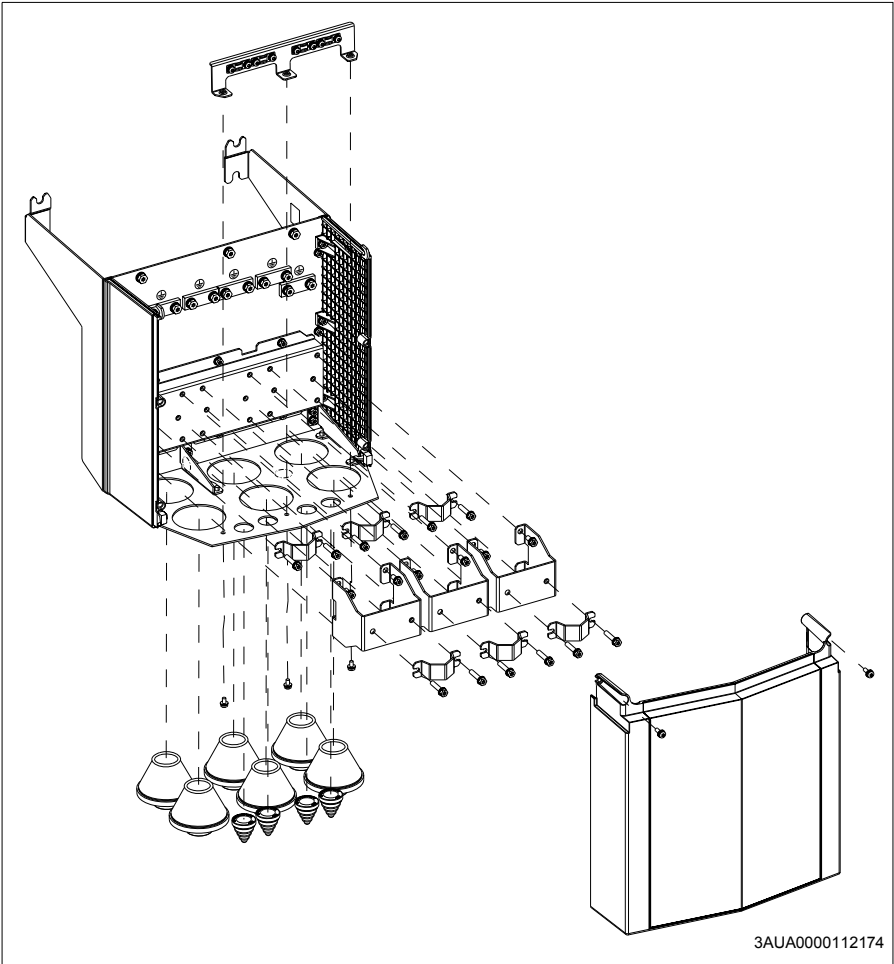
### ■ Frame R7 cable box (IP21, UL Type 1)

The figure below shows the contents of the cable box package. The package also includes an assembly drawing which shows how to install cable box to the drive frame.



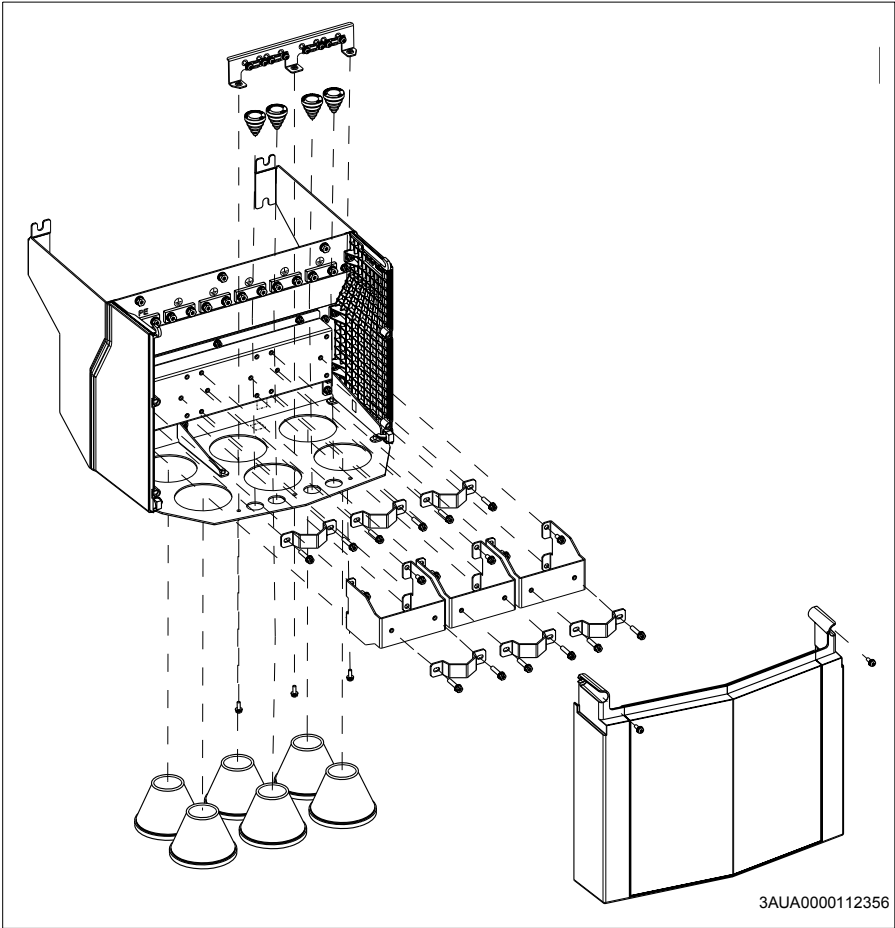
## ■ Frame R8 cable box (IP21, UL Type 1)

The figure below shows the contents of the cable box package. The package also includes an assembly drawing which shows how to install the cable box to the drive frame.



### ■ Frame R9 cable box (IP21, UL Type 1)

The figure below shows the contents of the cable box package. The package also includes an assembly drawing which shows how to install the cable box to the drive frame.



3AUA0000112356



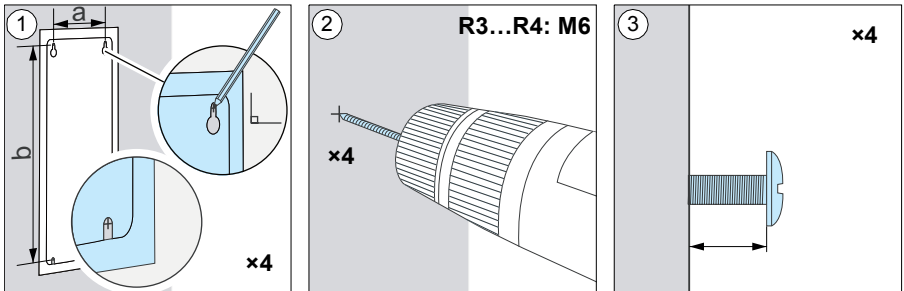
## Installing the drive

### ■ Installing the drive vertically, frames R1...R4

The figures show frame R3 as an example.

1. Mark the hole locations using the mounting template included in the package. Do not leave the mounting template under the drive. The drive dimensions and hole locations are also shown in the drawings in chapter [Dimension drawings](#) on page 203.
2. Drill the mounting holes.
3. Insert anchors or plugs into the holes and start the screws or bolts into the anchors or plugs.

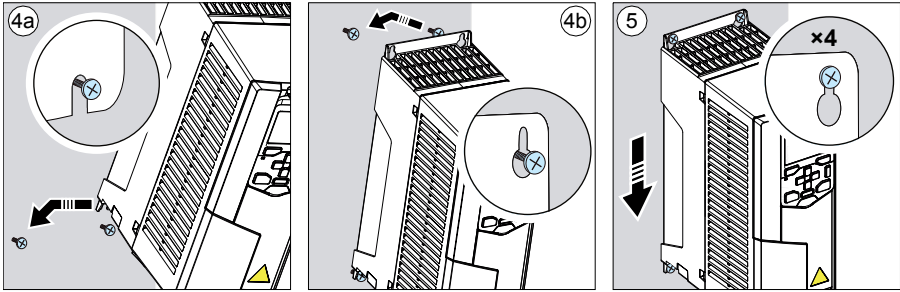
Use a sufficient number of screws or bolts and drive them long enough into the wall to make them carry the weight of the drive.



	R1		R2		R3		R4	
	mm	in	mm	in	mm	in	mm	in
<b>a</b>	98	3.86	98	3.86	160	6.30	160	6.30
<b>b</b>	317	12.48	417	16.42	473	18.62	619	24.37
<b>Weight</b>	<b>kg</b>	<b>lb</b>	<b>kg</b>	<b>lb</b>	<b>kg</b>	<b>lb</b>	<b>kg</b>	<b>lb</b>
<b>IP21 (UL Type1)</b>	4.8	10.59	6.5	14.33	11.80	26.02	19	41.90
<b>Weight</b>	<b>kg</b>	<b>lb</b>	<b>kg</b>	<b>lb</b>	<b>kg</b>	<b>lb</b>	<b>kg</b>	<b>lb</b>
<b>IP55 (UL Type12)</b>	5.1	11.25	6.7	14.80	13.00	28.67	20	44.10

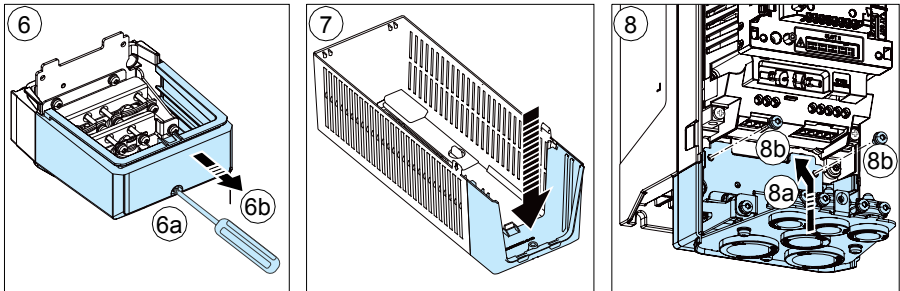


4. Position the drive onto the bolts on the wall.
5. Tighten the bolts in the wall securely.



### ■ Install the cable box, frames R1...R2

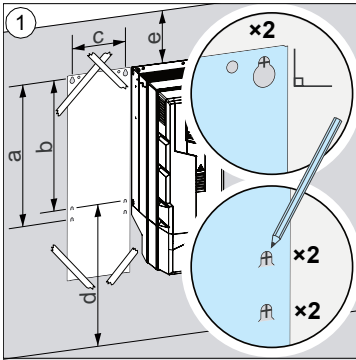
6. Remove the screw (6a) and lift the cover off (6b) from the separate cable box.
7. Attach the cable box cover to the front cover.
8. Install the cable box to the frame. Position the cable box (8a) and tighten the screws (8b).



**■ Installing the drive vertically, frame R5**

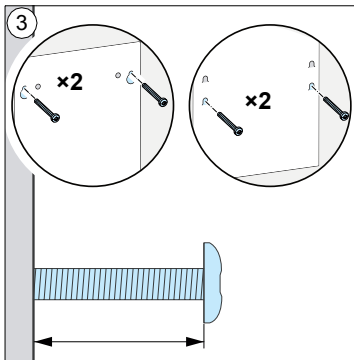
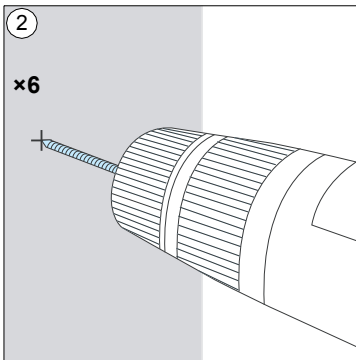
1. Mark the hole locations using the mounting template included in the package. Do not leave the mounting template under the drive. The drive dimensions and hole locations are also shown in the drawings in chapter *Dimension drawings* on page 203.
2. Drill the mounting holes.
3. Insert fixing anchors or plugs into the holes. Start the two upper bolts and the two lowest bolts into the anchors or plugs.

Drive the bolts long enough into the wall to make them carry the weight of the drive.



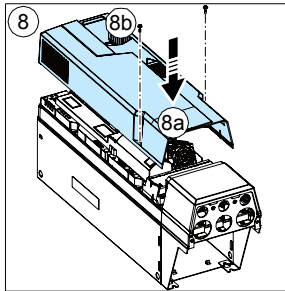
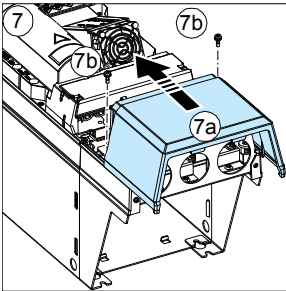
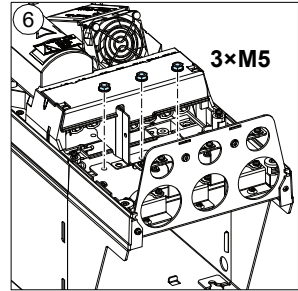
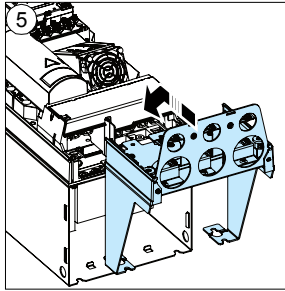
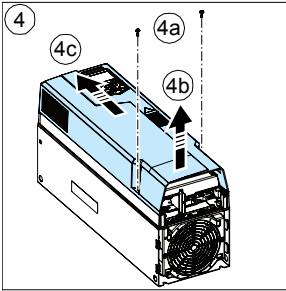
	R5 IP21 (UL Type 1)		R5 IP55 (UL Type 12)	
	mm	in	mm	in
a	612	24.09	612	24.09
b	581	22.87	581	22.87
c	160	6.30	160	6.30
d >	200	7.9	200	7.9
e >	200	7.9	200	7.9

⚠	R5 IP21 (UL Type 1)		R5 IP55 (UL Type 12)	
	kg	lb	kg	lb
	28.3	62.4	28.6	63.1



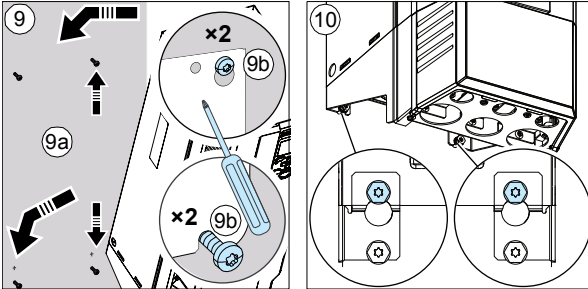
### IP21 (UL Type 1)

4. Remove the front cover: Remove the fastening screws (4a) and lift the cover from the bottom upwards (4b) and then to the top side (4c).
5. Attach the cable box to the drive frame.
6. Tighten the box screws.
7. Slide the box cover from the bottom (7a) and tighten the retaining screws (7b).
8. Put the tabs at the top of the front cover in their counterparts on the housing and then press at the bottom (8a) and tighten the retaining screws (8b).



**IP21 (UL Type 1), IP55 (UL Type 12)**

9. Position the drive onto the four bolts on the wall. Lift the drive with another person or with a lifting device as it is heavy. Tighten the bolts in the wall securely.
10. Tighten the two remaining bolts securely.

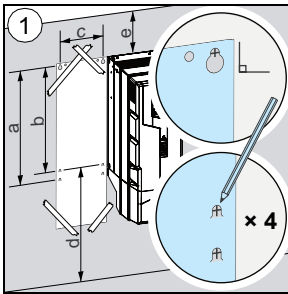


## ■ Installing the drive vertically, frames R6...R9

1. Mark the hole locations for the six mounting holes using the mounting template included in the package. Do not leave the mounting template under the drive.

The drive dimensions and hole locations are also shown in the drawings in chapter [Dimension drawings](#) on page 203.

**Note:** You can use only two bolts instead of four to attach the lower part of the drive.

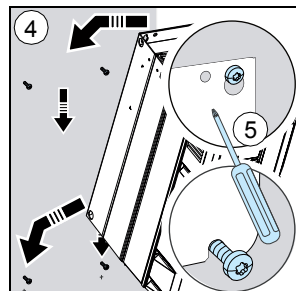
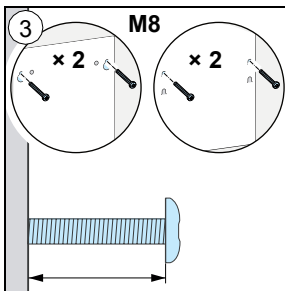
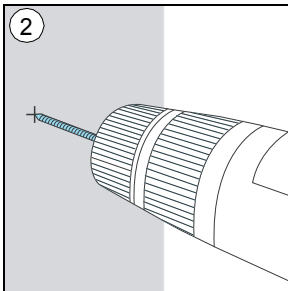


	R6		R7		R8		R9	
	mm	in	mm	in	mm	in	mm	in
<b>a</b>	571	22.5	623	24.5	701	27.6	718	28.3
<b>b</b>	531	20.9	583	22.9	658	25.9	658	25.9
<b>c</b>	213	8.4	245	9.7	263	10.4	345	13.6
<b>d</b>	300	11.8	300	11.8	300	11.8	300	11.8
<b>e</b>	200	7.9	200	7.9	200	7.9	200	7.9
<b>IP21, UL Type 1</b>	<b>kg</b>	<b>lb</b>	<b>kg</b>	<b>lb</b>	<b>kg</b>	<b>lb</b>	<b>kg</b>	<b>lb</b>
	42	93.5	54	119	69	152	97	213.9
<b>IP55, UL Type 12</b>	<b>kg</b>	<b>lb</b>	<b>kg</b>	<b>lb</b>	<b>kg</b>	<b>lb</b>	<b>kg</b>	<b>lb</b>
	43	94.8	56	123.5	77	169.8	103	227.1

2. Drill the mounting holes.
3. Insert fixing anchors or plugs into the holes and start the bolts into the anchors or plugs.

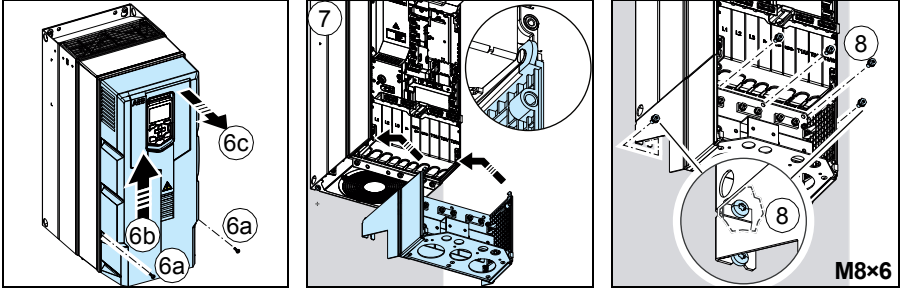
Use a sufficient number of bolts and drive them long enough into the wall to make them carry the weight of the drive.

4. Position the drive onto the bolts on the wall. Lift the drive with another person as it is heavy.
5. Tighten the bolts in the wall securely.



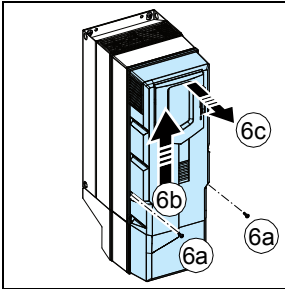
### IP21 (UL Type 1)

6. Remove the front cover: Remove the fastening screws (a), move the cover to the top side (b) and then up (c).
7. Attach the cable box to the drive frame.
8. Tighten the box screws: two at the top and four at the bottom.



### IP55 (UL Type 12)

9. Remove the front cover: Remove the fastening screws (a), move the cover to the top side (b) and then up (c).



#### ■ Installing the drive vertically side by side

Install the drive following the steps in the appropriate section [Installing the drive vertically, frames R1...R4](#) (page 57), [Installing the drive vertically, frame R5](#) (page 59) or [Installing the drive vertically, frames R6...R9](#) (page 62).

#### ■ Installing the drive horizontally, frames R1...R3

Install the drive following the steps in the appropriate section [Installing the drive vertically, frames R1...R4](#) (page 57). The drive can be installed either the left or right side up.

## Flange mounting

Instructions for flange mounting are delivered with the flange mounting kit: *Flange mounting kit quick installation guide for ACX580-01 frames R0 to R5* (3AXD50000036610 [English]) or *Flange mounting kit quick installation guide for ACS880-01 and ACX580-01 frames R6 to R9* (3AXD50000019099 [English]). For more information on flange mounting, see *Flange mounting kit installation supplement* (3AXD50000019100 [English]).





# 5

## Planning the electrical installation

---

### Contents of this chapter

This chapter contains instructions for planning the electrical installation of the drive, for example, for checking the compatibility of the motor and drive, selecting cables, protections and cable routing.

### Limitation of liability

The installation must always be designed and made according to applicable local laws and regulations. The manufacturer does not assume any liability whatsoever for any installation which breaches the local laws and/or other regulations. Furthermore, if the recommendations given by the manufacturer are not followed, the drive may experience problems that the warranty does not cover.

### Selecting the supply disconnecting device

Install a hand-operated input disconnecting device between the AC power source and the drive. The disconnecting device must be of a type that can be locked to the open position for installation and maintenance work.

---

## ■ **European Union**

To meet the European Union Directives, according to standard EN 60204-1, *Safety of Machinery*, the disconnecting device must be one of the following types:

- switch-disconnector of utilization category AC-23B (EN 60947-3)
- disconnector that has an auxiliary contact that in all cases causes switching devices to break the load circuit before the opening of the main contacts of the disconnector (EN 60947-3)
- circuit breaker suitable for isolation in accordance with EN 60947-2.

## ■ **Other regions**

The disconnecting device must conform to the applicable local safety regulations.

---

## Checking the compatibility of the motor and drive

Use an asynchronous AC induction motor, permanent magnet motor or synchronous reluctance motor with the drive. Several induction motors can be connected to the drive at a time but only one permanent magnet motor can be connected to the drive at a time.

Check that the motor and the drive are compatible according to the rating table in section [Ratings](#) on page 160. The table lists the typical motor power for each drive type.

Ensure that the motor withstands the maximum peak voltage in the motor terminals. See the [Requirements table](#) on page 68. For basics of protecting the motor insulation and bearings in drive systems, refer to section [Protecting the motor insulation and bearings](#) below.

### Note:

- Consult the motor manufacturer before using a motor whose nominal voltage differs from the AC line voltage connected to the drive input.
- The voltage peaks at the motor terminals are relative to the supply voltage of the drive, not the drive output voltage.
- If the motor and drive are not of the same size, consider the following operation limits of the drive control program:
  - motor nominal voltage range  $1/6 \dots 2 \cdot U_N$
  - motor nominal current range  $1/6 \dots 2 \cdot I_N$  of the drive in vector control and  $0 \dots 2 \cdot I_N$  in scalar control. The control mode is selected by a drive parameter.

## ■ Protecting the motor insulation and bearings

The drive employs modern IGBT inverter technology. Regardless of frequency, the drive output comprises pulses of approximately the drive DC voltage with a very short rise time. The pulse voltage can almost double at the motor terminals, depending on the attenuation and reflection properties of the motor cable and the terminals. This can cause additional stress on the motor and motor cable insulation.

Modern variable speed drives with their fast rising voltage pulses and high switching frequencies can generate current pulses that flow through the motor bearings. This can gradually erode the bearing races and rolling elements.

Optional du/dt filters protect motor insulation system and reduce bearing currents. Optional common mode filters mainly reduce bearing currents. Insulated N-end (non-drive end) bearings protect the motor bearings.

## ■ Requirements table

The following table shows how to select the motor insulation system and when an optional drive du/dt and common mode filters and insulated N-end (non-drive end) motor bearings are required. Ignoring the requirements or improper installation may shorten motor life or damage the motor bearings and voids the warranty.

Motor type	Nominal AC supply voltage	Requirement for		
		Motor insulation system	ABB du/dt and common mode filters, insulated N-end motor bearings	
			$P_N < 100$ kW and frame size < IEC 315	$100$ kW $\leq P_N < 350$ kW or IEC 315 $\leq$ frame size < IEC 400
			$P_N < 134$ hp and frame size < NEMA 500	$134$ hp $\leq P_N < 469$ hp or NEMA 500 $\leq$ frame size $\leq$ NEMA 580
<b>ABB motors</b>				
Random-wound M2_,M3_ and M4_	$U_N \leq 500$ V	Standard	-	+ N
Form-wound HX_ and AM_	$380$ V < $U_N \leq 690$ V	Standard	n.a.	+ N + CMF
Old* form-wound HX_ and modular	$380$ V < $U_N \leq 690$ V	Check with the motor manufacturer.	+ du/dt with voltages over 500 V + N + CMF	
Random-wound HX_ and AM_ **	$0$ V < $U_N \leq 500$ V	Enameled wire with fiber glass taping	+ N + CMF	

\* manufactured before 1.1.1998

\*\* For motors manufactured before 1.1.1998, check for additional instructions with the motor manufacturer.

Motor type	Nominal AC supply voltage	Requirement for		
		Motor insulation system	ABB du/dt and common mode filters, insulated N-end motor bearings	
			$P_N < 100$ kW and frame size < IEC 315	$100 \text{ kW} \leq P_N < 350$ kW or IEC 315 $\leq$ frame size < IEC 400
		$P_N < 134$ hp and frame size < NEMA 500	$134 \text{ hp} \leq P_N < 469$ hp or NEMA 500 $\leq$ frame size $\leq$ NEMA 580	
<b>Non-ABB motors</b>				
Random-wound and form-wound	$U_N \leq 420$ V	Standard: $\hat{U}_{LL} = 1300$ V	-	+ N or CMF
	$420 \text{ V} < U_N \leq 500$ V	Standard: $\hat{U}_{LL} = 1300$ V	+ du/dt	+ du/dt + (N or CMF)
		or Reinforced: $\hat{U}_{LL} = 1600$ V, 0.2 microsecond rise time	-	+ N or CMF

The abbreviations used in the table are defined below.

Abbr.	Definition
$U_N$	Nominal AC line voltage
$\hat{U}_{LL}$	Peak line-to-line voltage at motor terminals which the motor insulation must withstand
$P_N$	Motor nominal power
du/dt	du/dt filter at the output of the drive. Available from ABB as an optional add-on kit.
CMF	Common mode filter. Depending on the drive type, CMF is available from ABB as an optional add-on kit.
N	N-end bearing: insulated motor non-drive end bearing
n.a.	Motors of this power range are not available as standard units. Consult the motor manufacturer.

### Additional requirements for the braking applications

When the motor brakes the machinery, the intermediate circuit DC voltage of the drive increases, the effect being similar to increasing the motor supply voltage by up to 20 percent. Consider this voltage increase when specifying the motor insulation requirements if the motor will be braking a large part of its operation time.

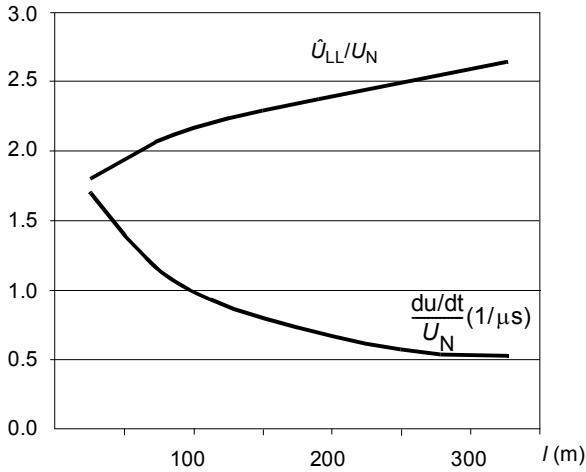
**Example:** Motor insulation requirement for a 400 V AC line voltage application must be selected as if the drive were supplied with 480 V.

### **Additional data for calculating the rise time and the peak line-to-line voltage**

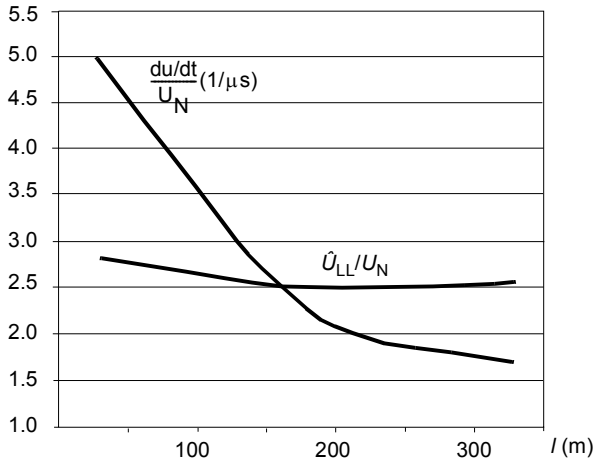
If you need to calculate the actual peak voltage and voltage rise time considering the actual cable length, proceed as follows:

- Peak line-to line voltage: Read the relative  $\hat{U}_{LL}/U_N$  value from the appropriate diagram below and multiply it by the nominal supply voltage ( $U_N$ ).
  - Voltage rise time: Read the relative values  $\hat{U}_{LL}/U_N$  and  $(du/dt)/U_N$  from the appropriate diagram below. Multiply the values by the nominal supply voltage ( $U_N$ ) and substitute into equation  $t = 0.8 \cdot \hat{U}_{LL}/(du/dt)$ .
-

A



B



A	Drive with du/dt filter
B	Drive without du/dt filter
$l$	Motor cable length
$\hat{U}_{LL}/U_N$	Relative peak line-to-line voltage
$(du/dt)/U_N$	Relative du/dt value
<b>Note:</b> $\hat{U}_{LL}$ and du/dt values are approximately 20% higher with resistor braking.	

## Selecting the power cables

### ■ General rules

Select the input power and motor cables **according to local regulations**:

- Select a cable capable of carrying the drive nominal current. See section *Ratings* (page 160) for the rated currents.
- Select a cable rated for at least 70 °C maximum permissible temperature of conductor in continuous use. For US, see *Additional US requirements*, page 75.
- The conductivity of the PE conductor must be sufficient, see the table on page 72.
- 600 V AC cable is accepted for up to 500 V AC.

To comply with the EMC requirements of the CE mark, use one of the approved cable types in section *Recommended power cable types* on page 74.

Symmetrical shielded cable reduces electromagnetic emission of the whole drive system as well as the stress on motor insulation, bearing currents and wear.

The protective conductor must always have an adequate conductivity.

Unless local wiring regulations state otherwise, the cross-sectional area of the protective conductor must agree with the conditions that require automatic disconnection of the supply required in 411.3.2. of IEC 60364-4-41:2005 and be capable of withstanding the prospective fault current during the disconnection time of the protective device.

The cross-sectional area of the protective conductor can either be selected from the table below or calculated according to 543.1 of IEC 60364-5-54.

This table below shows the minimum cross-sectional area related to the phase conductor size according to IEC 61800-5-1 when the phase conductor and the protective conductor are made of the same metal. If this is not so, the cross-sectional area of the protective earthing conductor shall be determined in a manner which produces a conductance equivalent to that which results from the application of this table.

Cross-sectional area of the phase conductors $S$ (mm <sup>2</sup> )	Minimum cross-sectional area of the corresponding protective conductor $S_p$ (mm <sup>2</sup> )
$S \leq 16$	$S$
$16 < S \leq 35$	16
$35 < S$	$S/2$

**Note:** See the IEC/EN 61800-5-1 requirement on grounding in the Note on page 18.



## ■ Typical power cable sizes

The table below gives copper cable types with concentric copper shield for the drives with nominal current. The value separated by the plus sign means the diameter of the PE conductor.

IEC type ACS580 -01-	Frame size	IEC <sup>1)</sup>		US <sup>3)</sup>		North America type ACS580 -01-
		Cu cable type	Al cable type <sup>4)</sup>	Cu cable type	Al cable type <sup>4)</sup>	
		mm <sup>2</sup>	mm <sup>2</sup>	AWG/kcmil	AWG/kcmil	
<b>3-phase <math>U_N = 400</math> V (380...480 V)</b>						
02A7-4	R1	3×1.5 + 1.5	-	16	-	02A1-4
03A4-4	R1	3×1.5 + 1.5	-	16	-	03A0-4
04A1-4	R1	3×1.5 + 1.5	-	16	-	03A5-4
05A7-4	R1	3×1.5 + 1.5	-	16	-	04A8-4
07A3-4	R1	3×1.5 + 1.5	-	16	-	06A0-4
09A5-4	R1	3×2.5 + 2.5	-	14	-	07A6-4
12A7-4	R1	3×2.5 + 2.5	-	14	-	012A-4
018A-4	R2	3×2.5 + 2.5	-	14	-	014A-4
026A-4	R2	3×6 + 6	-	10	-	023A-4
033A-4	R3	3×10 + 10	-	8	-	027A-4
039A-4	R3	3×10 + 10	-	8	-	034A-4
046A-4	R3	3×16 + 16	-	6	-	044A-4
062A-4	R4	3×25 + 16	-	4	-	052A-4
073A-4	R4	3×35 + 16	-	2	-	065A-4
088A-4	R5	3×50 + 25	3×70	1/0	-	078A-4
106A-4	R5	3×70 + 35	3×70	2/0	-	096A-4
145A-4	R6	3×95 + 50	3×120	3/0	-	124A-4
169A-4	R7	3×120 + 70	3×150	250 MCM	-	156A-4
206A-4	R7	3×150 + 70	3×240	300 MCM	-	180A-4
246A-4	R8	2×(3×70+35)	2×(3×95)	2×2/0	-	240A-4
293A-4	R8	2×(3×95+50)	2×(3×120)	2×3/0	-	260A-4
363A-4	R9	2×(3×120+70)	2×(3×185)	2×250 MCM	-	361A-4
430A-4	R9	2×(3×150+70)	2×(3×240)	2×300 MCM	-	414A-4

3AXD0000586715.xls J

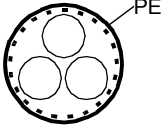
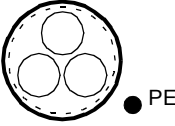
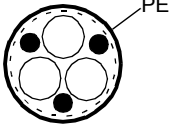
- The cable sizing is based on max. 6 cables laid on a cable ladder side by side, ambient temperature 30 °C, PVC insulation, surface temperature 70 °C (EN 60204-1 and IEC 60364-5-52/2001). For other conditions, size the cables according to local safety regulations, appropriate input voltage and the load current of the drive. See also page 178 for the accepted cable sizes of the drive.
- Aluminum cables must not be used with frames R1...R4.
- The cable sizing is based on NEC Table 310-16 for copper wires, 75 °C (167 °F) wire insulation at 40 °C (104 °F) ambient temperature. Not more than three current-carrying conductors in raceway or cable or earth (directly buried). For other conditions, size the cables according to local safety regulations, appropriate input voltage and the load current of the drive. See also page 180 for the accepted cable sizes of the drive.
- In the USA, aluminum cables must not be used.

See also section [Terminal and lead-through data for the power cables](#) on page 178.


### Alternative power cable types

The recommended and the not allowed power cable types to be used with the drive are presented below.


#### Recommended power cable types

	<p>Symmetrical shielded cable with three phase conductors and a concentric PE conductor as the shield. The shield must meet the requirements of IEC 61800-5-1, see page 72. Check with local/state/country electrical codes for allowance.</p>
	<p>Symmetrical shielded cable with three phase conductors and a concentric PE conductor as the shield. A separate PE conductor is required if the shield does not meet the requirements of IEC 61800-5-1, see page 72.</p>
	<p>Symmetrical shielded cable with three phase conductors and a symmetrical PE conductor, and a shield. The PE conductor must meet the requirements of IEC 61800-5-1, see page 72.</p>

#### Power cable types for limited use

	<p>A four-conductor system (three phase conductors and a protective conductor on a cable tray) is <b>not allowed for motor cabling</b> (it is allowed for input cabling).</p>
--	---

#### Not allowed power cable types

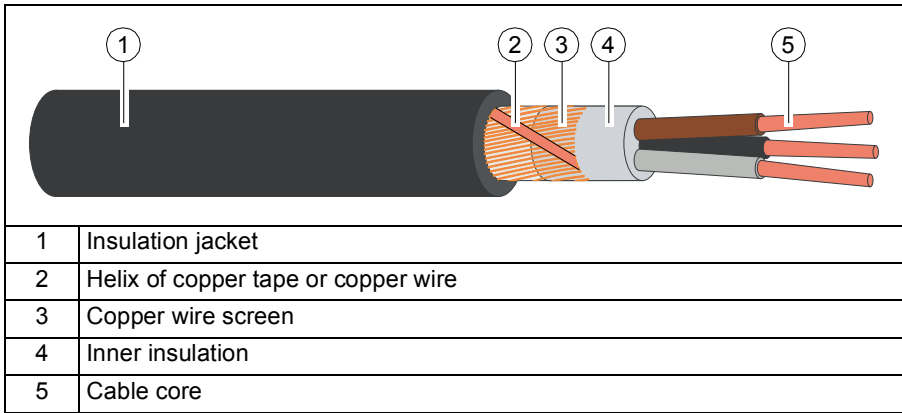
	<p>Symmetrical shielded cable with individual shields for each phase conductor is not allowed on any cable size for input or motor cabling.</p>
--	---

### Motor cable shield

If the motor cable shield is used as the sole protective earth conductor of the motor, make sure that the conductivity of the shield is sufficient. See section [General rules](#) on page 72, or IEC 61800-5-1.

To effectively suppress radiated and conducted radio-frequency emissions, the cable shield conductivity must be at least 1/10 of the phase conductor conductivity. The requirements are easily met with a copper or aluminum shield. The minimum requirement of the motor cable shield of the drive is shown below. It consists of a

concentric layer of copper wires with an open helix of copper tape or copper wire. The better and tighter the shield, the lower the emission level and bearing currents.



### Additional US requirements

Use type MC continuous corrugated aluminum armor cable with symmetrical grounds or shielded power cable for the motor cables if metallic conduit is not used. For the North American market, 600 V AC cable is accepted for up to 500 V AC. 1000 V AC cable is required above 500 V AC (below 600 V AC). Power cables must be rated for 75 °C (167 °F) or higher.

### Conduit

Couple separate parts of a conduit together: bridge the joints with a ground conductor bonded to the conduit on each side of the joint. Also bond the conduits to the drive enclosure and motor frame. Use separate conduits for input power, motor, brake resistor, and control wiring. When conduit is employed, type MC continuous corrugated aluminum armor cable or shielded cable is not required. A dedicated ground cable is always required.

**Note:** Do not run motor wiring from more than one drive in the same conduit.

### Armored cable / shielded power cable

Six-conductor (three phases and three ground) type MC continuous corrugated aluminum armor cable with symmetrical grounds is available from the following suppliers (trade names in parentheses):

- Anixter Wire & Cable (Philsheath)
- BICC General Corp (Philsheath)
- Rockbestos Co. (Gardex)
- Oaknite (CLX).

Shielded power cables are available from the following suppliers:

- Belden
- LAPPKABEL (ÖLFLEX)
- Pirelli.

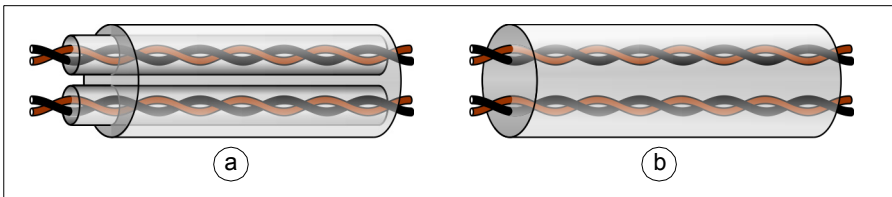
## Selecting the control cables

### ■ Shielding

All control cables must be shielded.

Use a double-shielded twisted pair cable (figure a below) for analog signals. Employ one individually shielded pair for each signal. Do not use common return for different analog signals.

A double-shielded cable is the best alternative for low-voltage digital signals but single-shielded (b) twisted pair cable is also acceptable.



### ■ Signals in separate cables

Run analog and digital signals in separate, shielded cables.

Do not mix 24 V AC/DC and 115/230 V AC signals in the same cable.

### ■ Signals allowed to be run in the same cable

Relay-controlled signals, providing their voltage does not exceed 48 V, can be run in the same cables as digital input signals. The relay-controlled signals should be run as twisted pairs.

### ■ Relay cable

The cable type with braided metallic screen (for example ÖLFLEX by LAPPKABEL, Germany) has been tested and approved by the manufacturer.

### ■ Control panel cable

In remote use, the cable connecting the control panel to the drive must not exceed 100 m (330 ft). If multiple drives are connected, the total length of the panel bus must not exceed 100 m (330 ft).

The cable type tested and approved by the manufacturer is used in control panel option kits. Suitable cables are CAT 5e unshielded or shielded twisted pair cables.

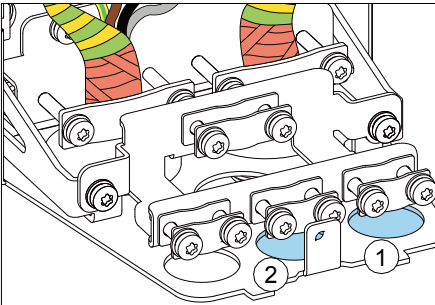
### ■ Drive composer PC tool cable

Connect the Drive composer PC tool to the drive through the USB port of the control panel. Use a USB type A (PC) - type B (control panel) cable. The maximum length of the cable is 3 m (9.8 ft).

### ■ FPBA-01 PROFIBUS DP adapter module connectors

Frames R1...R3: The following connector types have been tested to fit in the tight space for option slot 1.

- Phoenix Contact SUBCON-PLUS-PROFIB/PG/SC2, part number 2708245. Lead the cable through the control cable hole on the right in the lead-through plate (1).
- Siemens, part number 6GK1 500 0EA02. Lead the cable through the middle control cable hole in the lead-through plate (2).



## Routing the cables

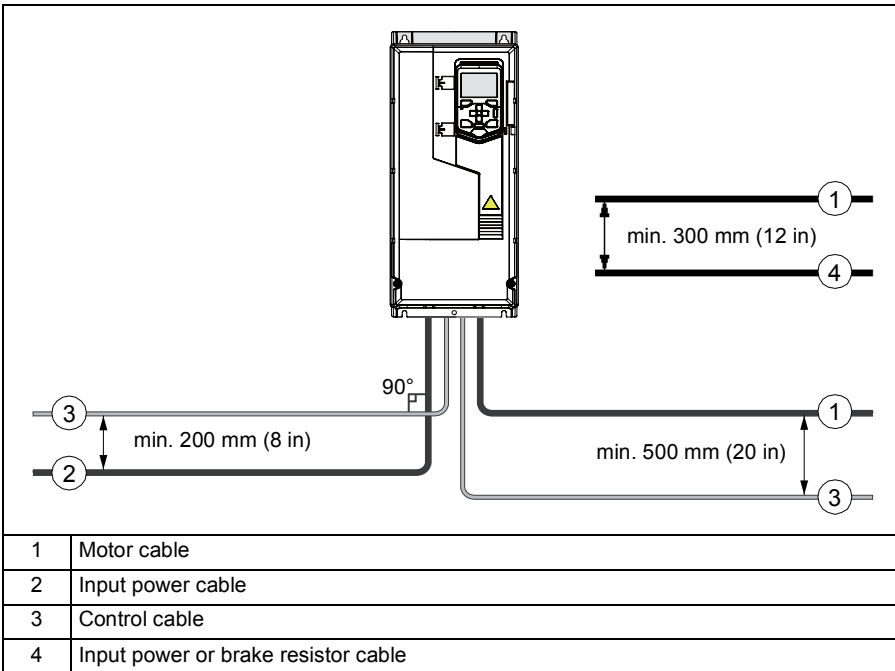
### General rules

Route the motor cable away from other cable routes. Motor cables of several drives can be run in parallel installed next to each other. The motor cable, input power cable and control cables should be installed on separate trays. Avoid long parallel runs of motor cables with other cables in order to decrease electromagnetic interference caused by the rapid changes in the drive output voltage.

Where control cables must cross power cables, make sure they are arranged at an angle as near to 90 degrees as possible. Do not run extra cables through the drive.

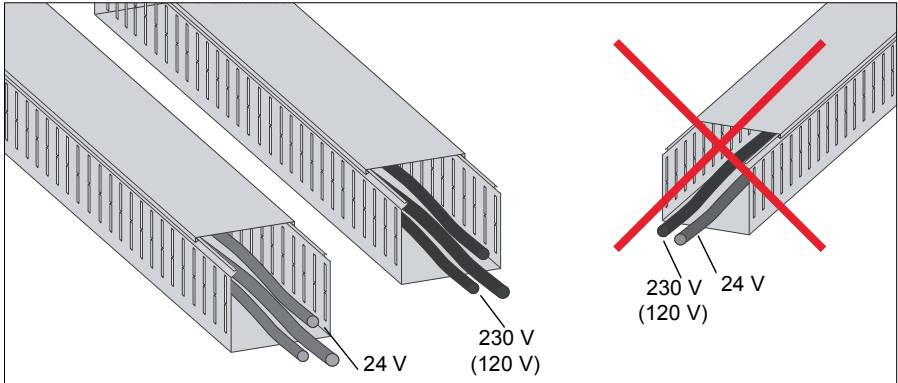
The cable trays must have good electrical bonding to each other and to the grounding electrodes. Aluminum tray systems can be used to improve local equalizing of potential.

A diagram of the cable routing is shown below.



### ■ Separate control cable ducts

Lead 24 V and 230 V (120 V) control cables in separate ducts unless the 24 V cable is insulated for 230 V (120 V) or insulated with an insulation sleeving for 230 V (120 V).



### ■ Continuous motor cable shield or enclosure for equipment on the motor cable

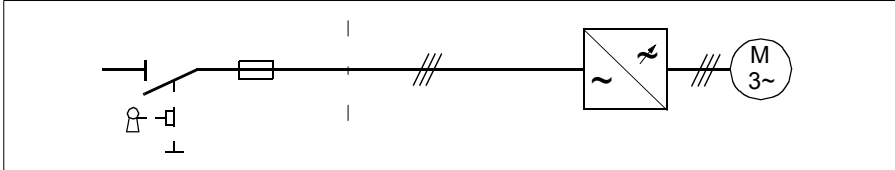
To minimize the emission level when safety switches, contactors, connection boxes or similar equipment are installed on the motor cable between the drive and the motor:

- European Union: Install the equipment in a metal enclosure with 360 degree grounding for the shields of both the incoming and outgoing cable, or connect the shields of the cables otherwise together.
- US: Install the equipment in a metal enclosure in a way that the conduit or motor cable shielding runs consistently without breaks from the drive to the motor.

## Implementing thermal overload and short-circuit protection

### ■ Protecting the drive and input power cable in short-circuits

Protect the drive and input cable with fuses as follows:



Size the fuses at the distribution board according to instructions given in chapter [Technical data](#), page 168. The fuses will protect the input cable in short-circuit situations, restrict drive damage and prevent damage to adjoining equipment in case of a short-circuit inside the drive.

### Circuit breakers

The protective characteristics of circuit breakers depend on the type, construction and settings of the breakers. There are also limitations pertaining to the short-circuit capacity of the supply network. Your local ABB representative can help you in selecting the breaker type when the supply network characteristics are known.



**WARNING!** Due to the inherent operating principle and construction of circuit breakers, independent of the manufacturer, hot ionized gases can escape from the breaker enclosure in case of a short-circuit. To ensure safe use, pay special attention to the installation and placement of the breakers. Obey the manufacturer's instructions.

---

You can use the circuit breakers listed in chapter [Technical data](#), page 172. Other circuit breakers can be used with drive if they provide the same electrical characteristics. ABB does not assume any liability whatsoever for the correct function and protection with circuit breakers not listed below. Furthermore, if the recommendations given by ABB are not obeyed, the drive can experience problems that warranty does not cover.

### ■ Protecting the motor and motor cable in short-circuits

The drive protects the motor cable and motor in a short-circuit situation when the motor cable is sized according to the nominal current of the drive. No additional protection devices are needed.

---



## ■ Protecting the drive and the input power and motor cables against thermal overload

The drive protects itself and the input and motor cables against thermal overload when the cables are sized according to the nominal current of the drive. No additional thermal protection devices are needed.



**WARNING!** If the drive is connected to multiple motors, use a separate circuit breaker or fuses for protecting each motor cable and motor against overload. The drive overload protection is tuned for the total motor load. It may not trip due to an overload in one motor circuit only

---

## ■ Protecting the motor against thermal overload

According to regulations, the motor must be protected against thermal overload and the current must be switched off when overload is detected. The drive includes a motor thermal protection function that protects the motor and switches off the current when necessary. Depending on a drive parameter value, the function either monitors a calculated temperature value (based on a motor thermal model) or an actual temperature indication given by motor temperature sensors. The user can tune the thermal model further by feeding in additional motor and load data.

The most common temperature sensors are:

- motor sizes IEC180...225: thermal switch, eg, Klixon
- motor sizes IEC200...250 and larger: PTC or Pt100.

For more information, see *ACS580 standard control program firmware manual* (3AXD50000016097 [English]).

## Protecting the drive against ground faults

The drive is equipped with an internal ground fault protective function to protect the unit against ground faults in the motor and motor cable. This is not a personnel safety or a fire protection feature. The ground fault protective function can be reduced with a parameter 31.20 Earth fault.

## ■ Residual current device compatibility


The drive is suitable to be used with residual current devices of Type B.

**Note:** The EMC filter of the drive includes capacitors connected between the main circuit and the frame. These capacitors and long motor cables increase the ground leakage current and may cause fault current circuit breakers to function.

---

## Implementing the Emergency stop function

For safety reasons, install the emergency stop devices at each operator control station and at other operating stations where emergency stop may be needed. Design the emergency stop according to relevant standards.

**Note:** Pressing the stop key  on the control panel of the drive does not generate an emergency stop of the motor or separate the drive from dangerous potential.

## Implementing the Safe torque off function

See chapter [Safe torque off function](#) on page 231.

## Implementing the undervoltage control (power-loss ride-through)

See *ACS580 standard control program firmware manual* (3AXD50000016097 [English]).

## Using a safety switch between the drive and the motor

It is recommended to install a safety switch between the permanent magnet motor and the drive output. This is needed to isolate the motor from the drive during maintenance work on the drive.

## Using a contactor between the drive and the motor

Implementing the control of the output contactor depends on how you select the drive to operate. See also section [Implementing a bypass connection](#) on page 83.

When you have selected to use

- Vector control mode and motor ramp stop,

open the contactor as follows:

1. Give a stop command to the drive.
1. Wait until the drive decelerates the motor to zero speed.
2. Open the contactor.

When you have selected to use

- Vector control mode and motor coast stop; or scalar control mode,

open the contactor as follows:

1. Give a stop command to the drive.
  2. Open the contactor.
-



**WARNING!** When the Vector control mode is in use, never open the output contactor while the drive controls the motor. The vector control operate extremely fast, much faster than it takes for the contactor to open its contacts. When the contactor starts opening while the drive controls the motor, the vector control will try to maintain the load current by immediately increasing the drive output voltage to the maximum. This will damage or destroy the contactor completely.

---

## Implementing a bypass connection

If frequent bypassing is required, employ mechanically or electrically interlocked contactors between the motor and the drive and between the motor and the power line. Make sure with interlocking that the contactors cannot be closed simultaneously. The installation must be clearly marked as defined in IEC/EN 61800-5-1, subclause 6.5.3, for example, "THIS MACHINE STARTS AUTOMATICALLY".

**Note:** The bypass connection cannot be used with permanent magnet motors or synchronous reluctance motors.

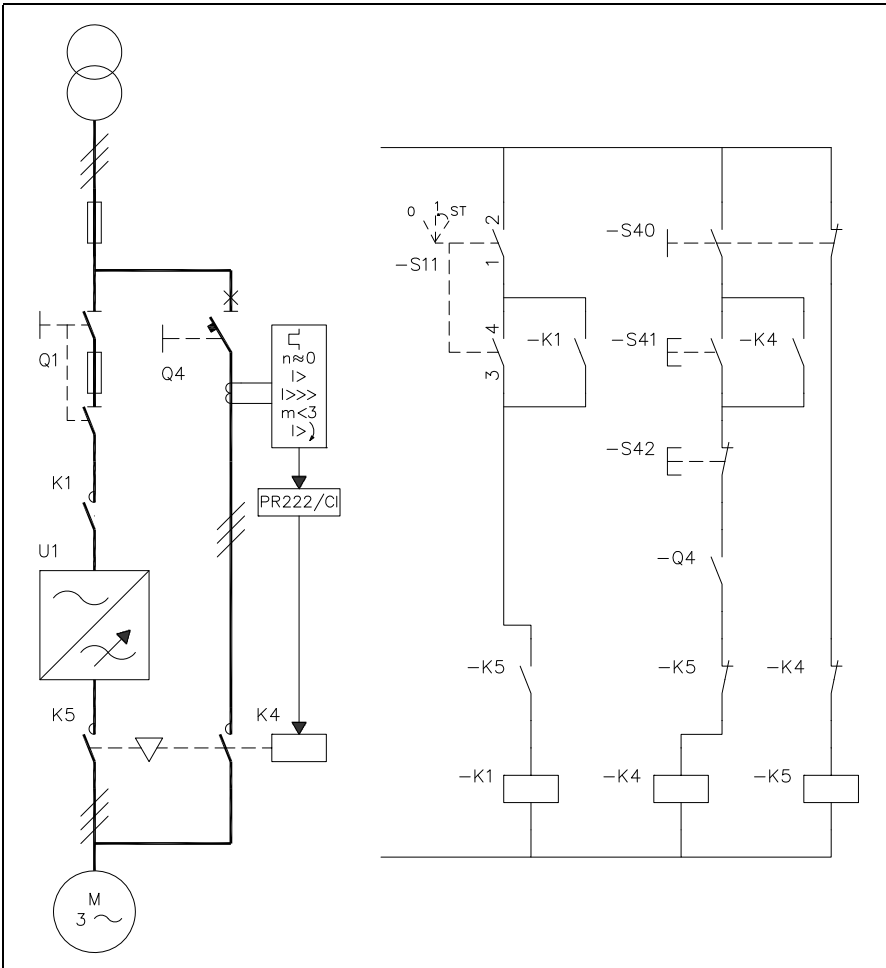


**WARNING!** Never connect the drive output to the electrical power network. The connection may damage the drive.

---

**Example bypass connection**

An example bypass connection is shown below.



Q1	Main switch for the drive	S11	Drive main contactor on/off control
Q4	Bypass circuit breaker	S40	Motor power supply selection (drive or direct-on-line)
K1	Drive main contactor	S41	Start when the motor is connected direct-on-line
K4	Bypass contactor	S42	Stop when the motor is connected direct-on-line
K5	Drive output contactor	U1	Drive

### **Switching the motor power supply from drive to direct-on-line**

1. Stop the drive and the motor with the drive control panel (drive in local control mode) or with the external stop signal (drive in remote control mode).
2. Open the main contactor of the drive with S11.
3. Switch the motor power supply from the drive to direct-on-line with S40.
4. Wait for 10 seconds to allow the motor magnetization to die away.
5. Start the motor with S41.

### **Switching the motor power supply from direct-on-line to drive**

1. Stop the motor with S42.
2. Switch the motor power supply from direct-on-line to the drive with S40.
3. Close the main contactor of the drive with switch S11 (-> turn to position ST for two seconds and leave at position 1).
4. Start the drive and the motor with the drive control panel (drive in local control mode) or with the external start signal (drive in remote control mode).

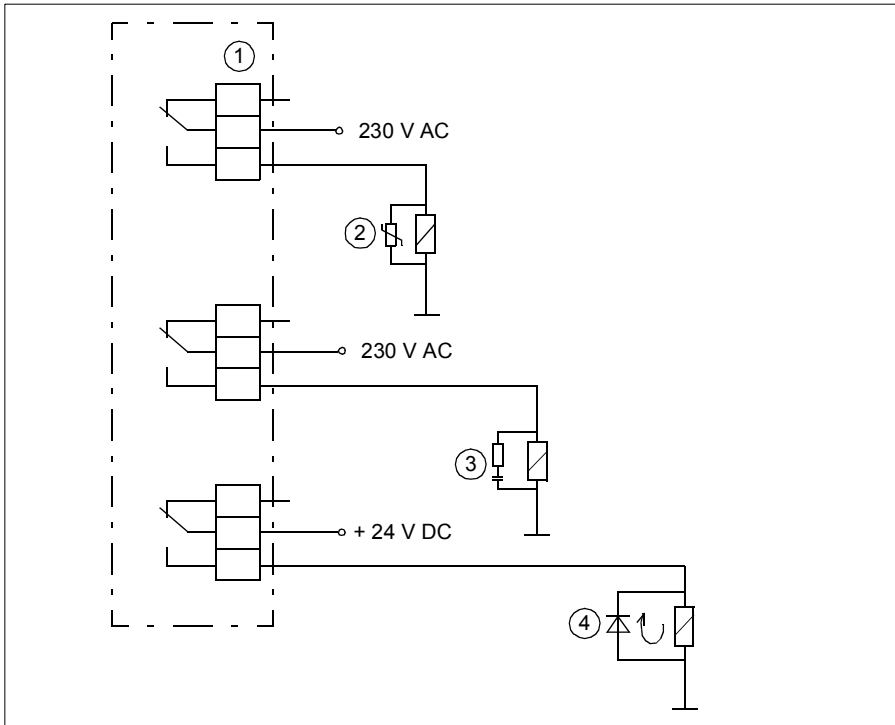
## **Protecting the contacts of relay outputs**

Inductive loads (relays, contactors, motors) cause voltage transients when switched off.

It is highly recommended that inductive loads are equipped with noise attenuating circuits (varistors, RC filters [AC] or diodes [DC]) in order to minimize the EMC emission at switch-off. If not suppressed, the disturbances may connect capacitively or inductively to other conductors in the control cable and form a risk of malfunction in other parts of the system.

Install the protective component as close to the inductive load as possible. Do not install protective components at the relay outputs.

---



1	Relay outputs
2	Varistor
3	RC filter
4	Diode

## Limiting relay output maximum voltages at high installation altitudes

See sections [Isolation areas, R1...R5](#) on page 188 and [Isolation areas, R6...R9](#) on page 189.

## Implementing a motor temperature sensor connection

---



**WARNING!** IEC 60664 requires double or reinforced insulation between live parts and the surface of accessible parts of electrical equipment which are either non-conductive or conductive but not connected to the protective earth..

---

To connect a motor temperature sensor and other similar components to the drive, you have four alternatives:

1. If there is double or reinforced insulation between the sensor and the live parts of the motor, you can connect the sensor directly to the inputs of the drive.
2. If there is basic insulation between the sensor and the live parts of the motor, you can connect the sensor to the inputs of the drive if all circuits connected to the drive's digital and analog inputs (typically extra-low voltage circuits) are protected against contact and insulated with basic insulation from other low-voltage circuits. The insulation must be rated for the same voltage level as the drive main circuit. Note that extra-low voltage circuits (such as 24 V DC) typically do not meet these requirements.
3. You can connect the sensor to an extension module with reinforced insulation (eg, CMOD-02) between the sensor connector and the other connectors of the module. See the table below for the sensor insulation requirement. For sensor connection to the extension module, see its manual.
4. You can connect a sensor to an external thermistor relay the insulation of which is rated for the main circuit voltage of the drive.

See:

- section [AI1 and AI2 as Pt100, Pt1000, Ni1000, KTY83 and KTY84 sensor inputs \(X1\)](#) on page [125](#)
  - section [CMOD-02 multifunction extension module \(external 24 V AC/DC and isolated PTC interface\)](#) on page [264](#)
  - [CPTC-02 ATEX-certified thermistor protection module, Ex II \(2\) GD \(+L537+Q971\) user's manual \(3AXD50000030058 \[English\]\)](#).
-

The table shows what temperature sensor types you can connect to the drive I/O extension modules as well as the insulation requirement for the sensor.

Extension module		Temperature sensor type		
Type	Insulation	PTC	KTY	Pt100, Pt1000
CMOD-02	Reinforced insulation between the motor thermistor connector and the other connectors of the module (including drive control unit connector). → No special requirements for the thermistor insulation level. (The drive control board is PELV compatible also when the module and a thermistor protection circuit are installed.)	X	-	-
CPTC-02		X	-	-



# 6

## Electrical installation

---

### Contents of this chapter

The chapter describes how to check the insulation of the assembly and the compatibility with IT (ungrounded) and corner-grounded TN systems. It then shows how to connect the power and control cables, install optional modules and connect a PC.

### Warnings



**WARNING!** Obey the instructions in chapter [Safety instructions](#) on page 13. If you ignore them, injury or death, or damage to the equipment can occur.

**Make sure that the drive is disconnected from the input power during installation. If the drive is already connected to the input power, wait for 5 minutes after disconnecting the input power.**

---

### Required tools

To do the electrical installation, you need the these tools:

- wire stripper
  - screwdriver and/or wrench with a set of suitable bits.
-

## Checking the insulation of the assembly

### ■ Drive

Do not make any voltage tolerance or insulation resistance tests on any part of the drive as testing can damage the drive. Every drive has been tested for insulation between the main circuit and the chassis at the factory. Also, there are voltage-limiting circuits inside the drive which cut down the testing voltage automatically.

### ■ Input power cable

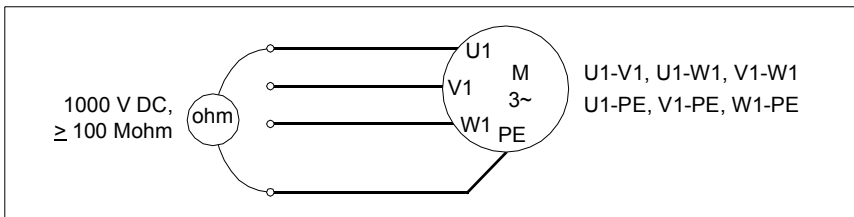
Check the insulation of the input cable according to local regulations before connecting it to the drive.

### ■ Motor and motor cable

Check the insulation of the motor and motor cable as follows:

1. Check that the motor cable is disconnected from the drive output terminals T1/U, T2/V and T3/W.
2. Measure the insulation resistance between the phase conductors and between each phase conductor and the Protective Earth conductor. Use a measuring voltage of 1000 V DC. The insulation resistance of a motor must exceed 100 Mohm (reference value at 25 °C or 77 °F). For the insulation resistance of other motors, please consult the manufacturer's instructions.

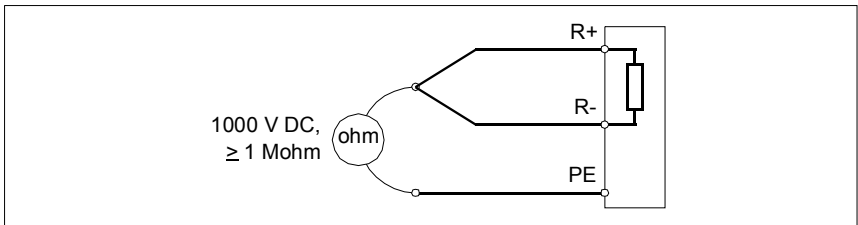
**Note:** Moisture inside the motor casing will reduce the insulation resistance. If moisture is suspected, dry the motor and repeat the measurement.



## ■ Brake resistor assembly for R1...R3

Check the insulation of the brake resistor assembly (if present) as follows:

1. Check that the resistor cable is connected to the resistor, and disconnected from the drive output terminals R+ and R-.
2. At the drive end, connect the R+ and R- conductors of the resistor cable together. Measure the insulation resistance between the combined conductors and the PE conductor by using a measuring voltage of 1 kV DC. The insulation resistance must be higher than 1 Mohm.



## Checking the compatibility with IT (ungrounded) and corner-grounded TN systems

### ■ EMC filter

The internal EMC filter is not suitable for use on an IT (ungrounded) system or on a corner-grounded TN system. Disconnect the EMC filter before connecting the drive to the supply network. Check the table on page 92.



**WARNING!** Do not install the drive with the internal EMC filter connected on an IT system (an ungrounded power system or a high-resistance-grounded [over 30 ohms] power system), otherwise the system will be connected to ground potential through the EMC filter capacitors of the drive. This can cause danger, or damage the drive.

Do not install the drive with the internal EMC filter connected on a corner-grounded TN system, otherwise the drive will be damaged.

**Note:** When the internal EMC filter is disconnected, the drive EMC compatibility is considerably reduced. See section *EMC compatibility and motor cable length* on page 185.

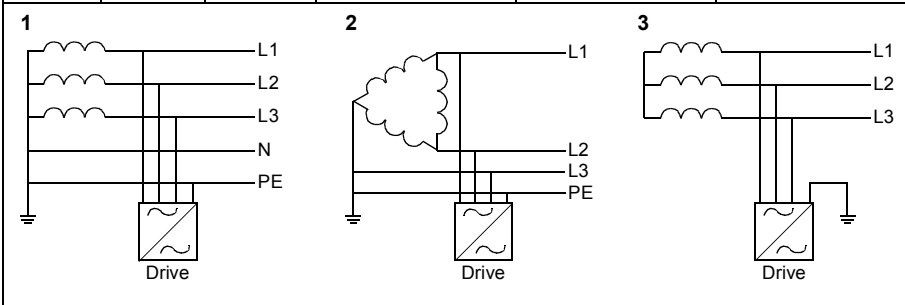
### ■ Ground-to-phase varistor

The ground-to-phase varistor is not suitable for use on an IT (ungrounded) system. Disconnect the ground-to-phase varistor before connecting the drive to the supply network. Check the table on page 92.

**⚠ WARNING!** Do not install the drive with the ground-to-phase varistor connected on an IT system (an ungrounded power system or a high-resistance-grounded [over 30 ohms] power system), otherwise the varistor circuit can be damaged.

Check from the table below if you have to disconnect the EMC filter (EMC) or ground-to-phase varistor (VAR). For instructions on how to do this, see sections [Frames R1...R3](#) on page 93 or [Frames R4...R9](#) on page 94.

Frame sizes	EMC filter (EMC)	Ground-to-phase varistor (VAR)	Symmetrically grounded TN systems (TN-S systems) <sup>1</sup>	Corner grounded TN systems <sup>2</sup>	IT systems (ungrounded or high-resistance grounded [ $>30$ ohms]) <sup>3</sup>
<b>R1...R3</b>	EMC (1 screw)	-	Do not disconnect	Disconnect	Disconnect
	-	VAR (1 screw)	Do not disconnect	Disconnect	Disconnect
<b>R4...R5</b>	EMC (2 screws)	-	Do not disconnect	Frames R4 and R5 cannot be used in corner grounded TN systems.	Disconnect
	-	VAR (1 screw)	Do not disconnect		Disconnect
<b>R6...R9</b>	EMC (2 screws)	-	Do not disconnect	Disconnect	Disconnect
	-	VAR (1 screw)	Do not disconnect	Do not disconnect	Disconnect

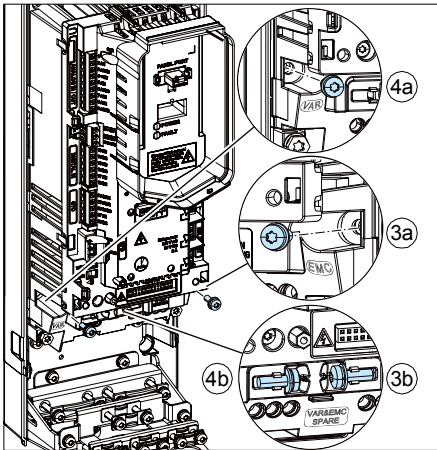


## ■ Frames R1...R3

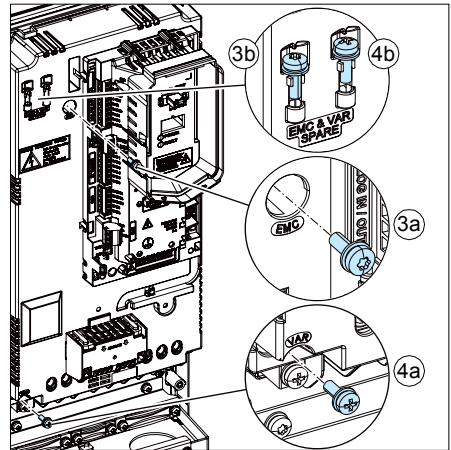
To disconnect the internal EMC filter or ground-to-phase varistor, if needed, do as follows:

1. Switch off the power from the drive.
2. Open the front cover, if not already opened, see page 97.
3. To disconnect the internal EMC filter, remove the EMC screw (3a) and place it in the storage place (3b).
4. To disconnect the ground-to-phase varistor, remove the varistor screw (4a) and place it in the storage place (4b).

### R1...R2



### R3

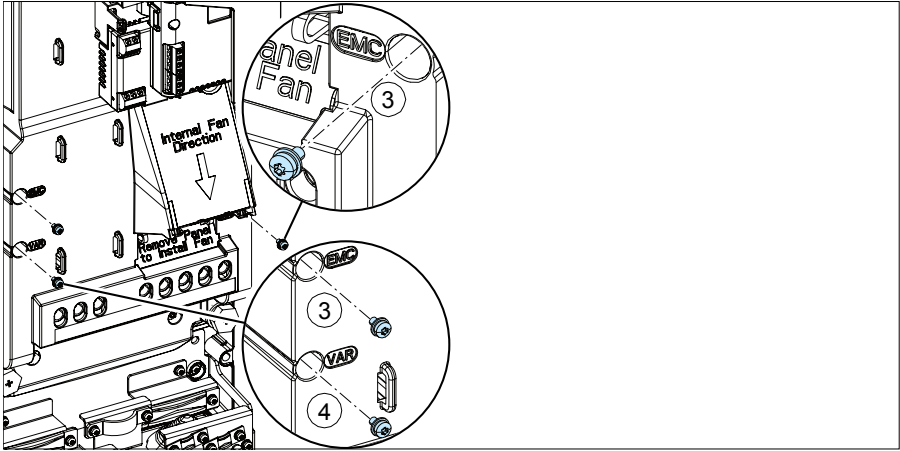


## ■ Frames R4...R9

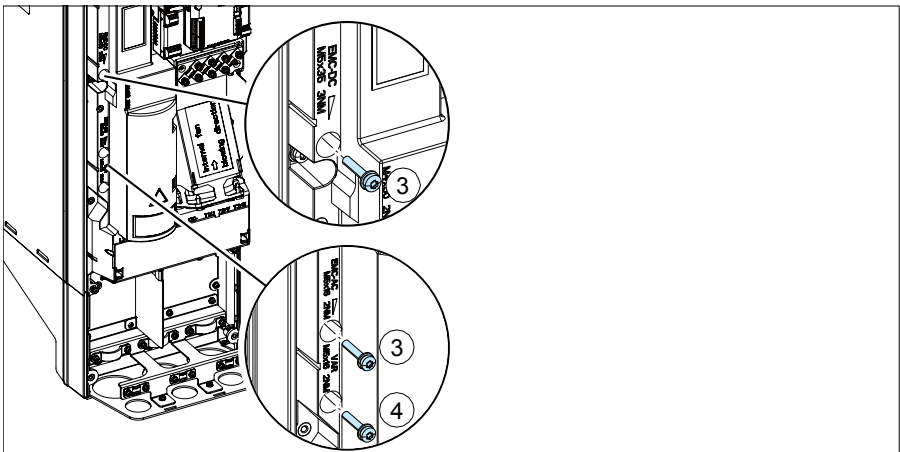
To disconnect the internal EMC filter or ground-to-phase varistor, if needed, do as follows:

1. Switch off the power from the drive.
2. Open the cover, if not already opened. Frame R4: see page [97](#), frame R5: see page [105](#), frames R6...R9: see page [63](#).
3. To disconnect the internal EMC filter, remove the two EMC screws.
4. To disconnect the ground-to-phase varistor, remove the varistor screw.

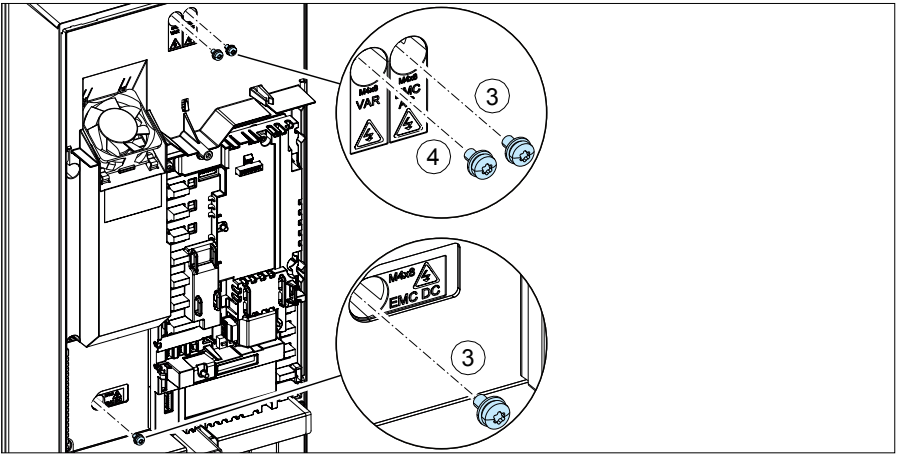
### R4



### R5

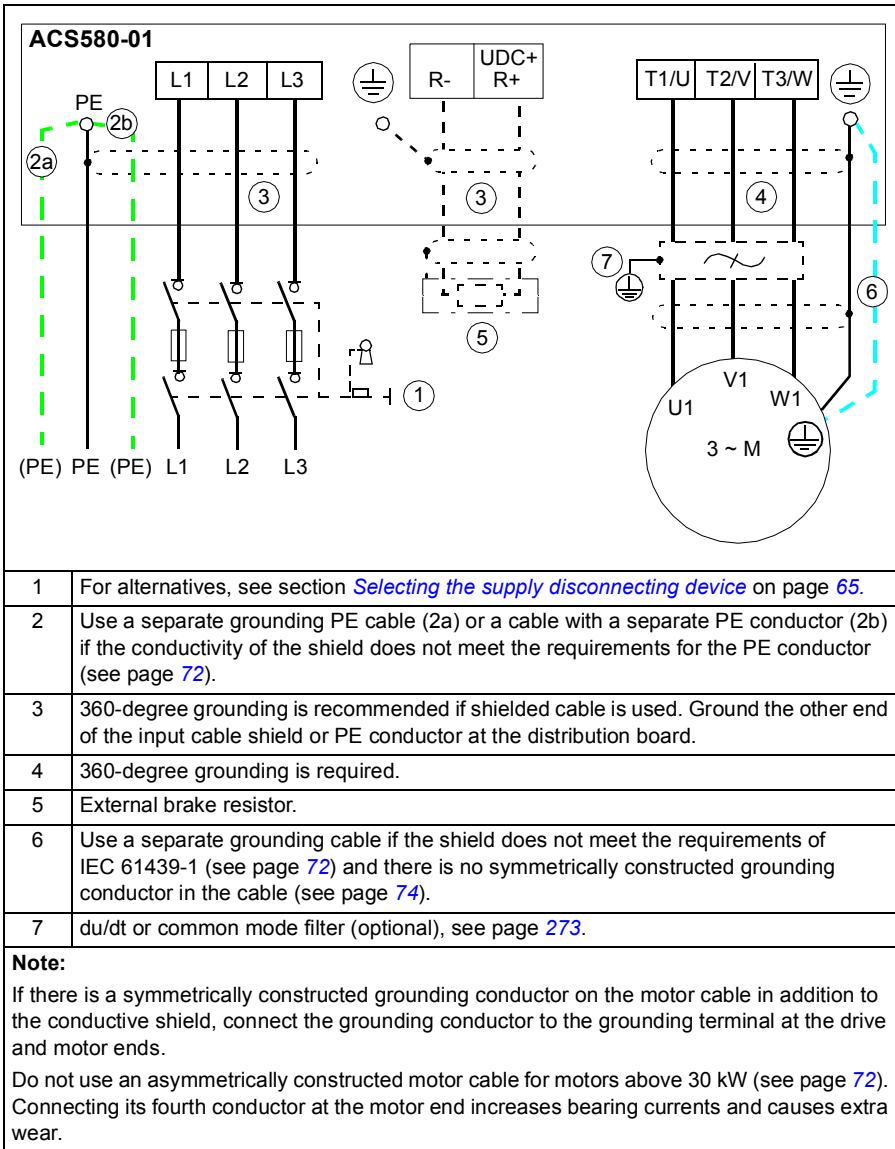


R6...R9



## Connecting the power cables

### ■ Connection diagram

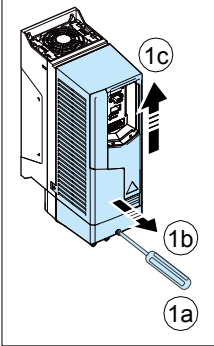




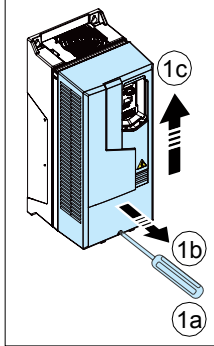
■ Connection procedure, frames R1...R4

1. Remove the front cover: Loosen the retaining screw with a screwdriver (1a) and lift the cover from the bottom outwards (1b) and then up (1c).

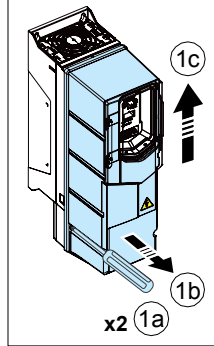
IP21 (UL Type 1),  
R1...R2



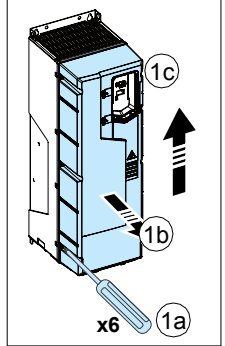
IP21 (UL Type 12),  
R3...R4



IP55 (UL Type 12),  
R1...R3



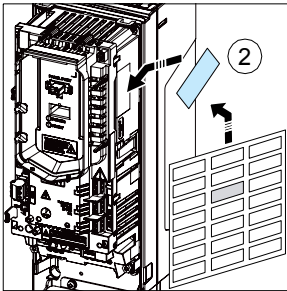
IP55 (UL Type 12),  
R4



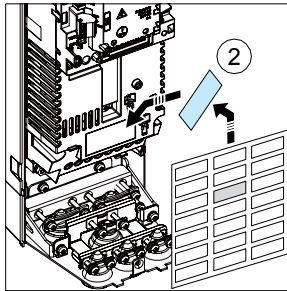
**⚠ WARNING!** If the drive will be connected on an IT (ungrounded) system, make sure you have disconnected the EMC filter and ground-to-phase varistor. See page 91. If the drive will be connected on a corner-grounded TN system, make sure you have disconnected the EMC filter. See page 91.

2. Attach the residual voltage warning sticker in the local language.

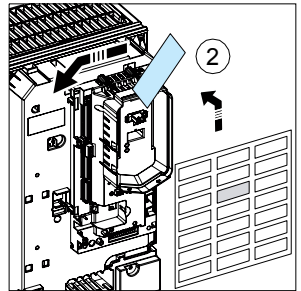
R1



R2

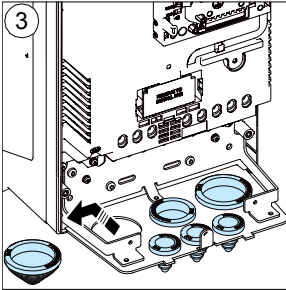


R3...R4



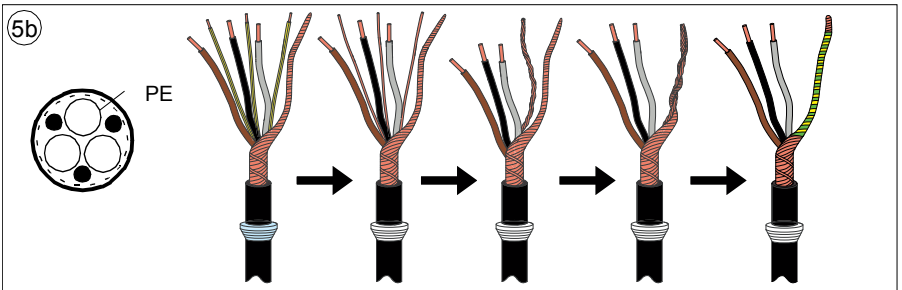
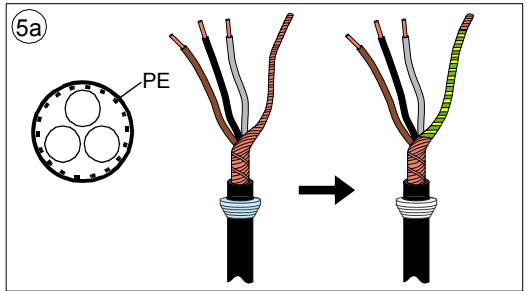
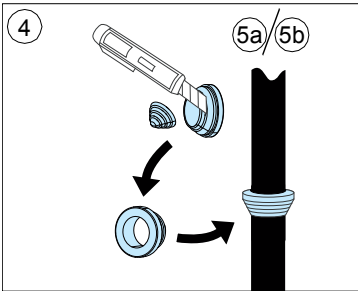
3. Remove the rubber grommets from the cable entry if they point up. (The grommets may point up or down when you open the package, depending on the frame size.)

R1...R3: The grommets point down and at this point you need to remove only the grommets for motor and input power cable, as well as brake resistor cable, if used. Remove the grommets for the control cables when you are connecting them.

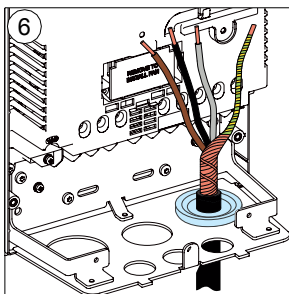


**Motor cable**

4. Cut an adequate hole into the rubber grommet. Slide the grommet onto the cable.
5. Prepare the ends of the cable as illustrated in the figure. In frames R1 and R2 there are markings on the drive frame near the power cable terminals helping you to strip the wires to the correct length of 8 mm. If you use aluminum cables, put grease to the peeled aluminum cable before connecting it to the drive. Two different motor cable types are shown in the figures (6a, 6b). **Note:** The bare shield will be grounded 360 degrees.



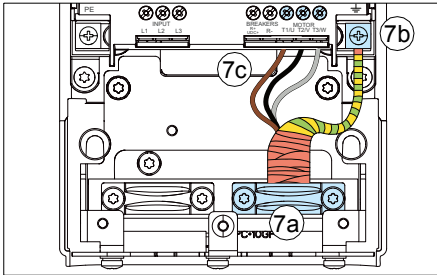
6. Slide the cable through the hole in the cable entry and attach the grommet to the hole.



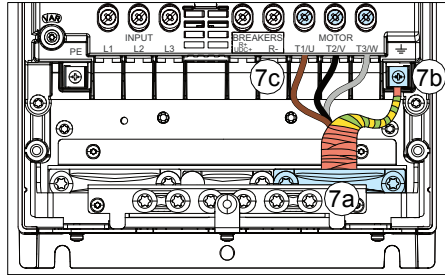
7. Connect the motor cable:

- Ground the shield 360 degrees by tightening the clamp of the power cable grounding shelf onto the stripped part of the cable. (7a)
- Connect the twisted shield of the cable to the grounding terminal. (7b)
- Connect the phase conductors of the cable to the T1/U, T2/V and T3/W terminals. Tighten the screws to the torque given below the figure. (7c).

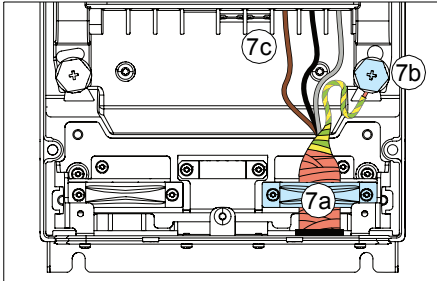
R1...R2



R3



R4



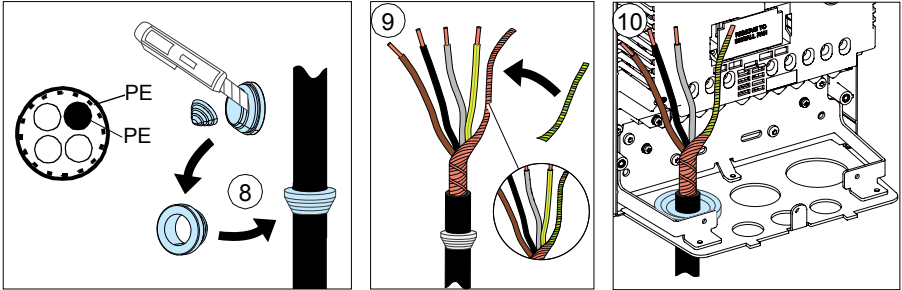
Frame size	R1		R2	
	N·m	lbf·ft	N·m	lbf·ft
T1/U, T2/V, T3/W	0.5...0.6	0.4	1.2...1.5	1.1
PE, ⊕	1.5	1.1	1.5	1.1
⊕	1.2	0.9	1.2	0.9

Frame size	R3		R4	
	N·m	lbf·ft	N·m	lbf·ft
T1/U, T2/V, T3/W	2.5...4.5	3.3	4.0	3.0
PE, ⊕	1.5	1.1	2.9	2.1
⊕	1.2	0.9	1.2	0.9

**Input power cable**

8. Cut an adequate hole into the rubber grommet. Slide the grommet onto the cable.
9. Prepare the ends of the cable as illustrated in the figure. If you use aluminum cables, put grease to the peeled aluminum cable before connecting it to the drive.  
**Note:** The bare shield will be grounded 360 degrees. Mark the pigtail made from the shield as a PE conductor with yellow-and-green color.

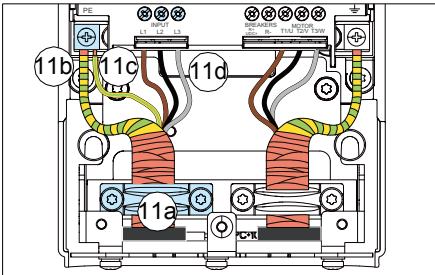
10. Slide the cable through the hole in the cable entry and attach the grommet to the hole.



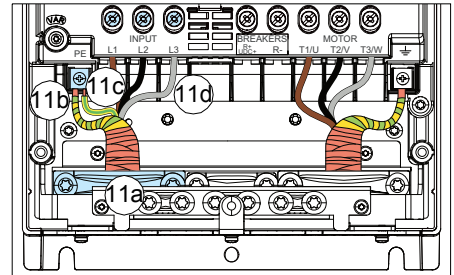
11. Connect the input power cable:

- Ground the shield 360 degrees by tightening the clamp of the power cable grounding shelf onto the stripped part of the cable. (11a)
- Connect the twisted shield of the cable to the grounding terminal. (11b)
- Connect the additional PE conductor (see the note on page 17 in chapter *Safety instructions*) of the cable (11c).
- Connect the phase conductors of the cable to the L1, L2 and L3 terminals. Tighten the screws to the torque given below the figure. (11d).

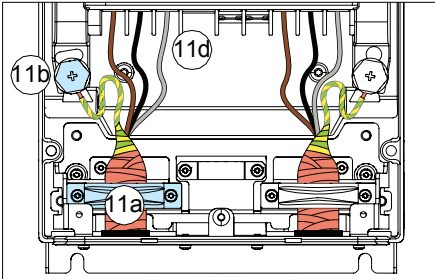
R1...R2



R3



R4

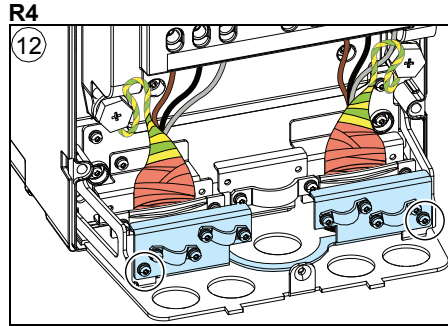
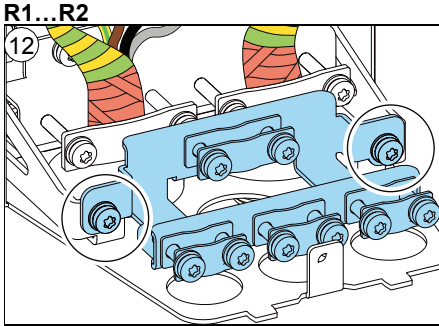


Frame size	R1		R2	
	N·m	lbf·ft	N·m	lbf·ft
L1, L2, L3	0.5...0.6	0.4	1.2...1.5	1.1
PE, ⊕	1.5	1.1	1.5	1.1
⊕	1.2	0.9	1.2	0.9

Frame size	R3		R4	
	N·m	lbf·ft	N·m	lbf·ft
L1, L2, L3	2.5...4.5	3.3	4.0	3.0
PE, ⊕	1.5	1.1	2.9	2.1
⊕	1.2	0.9	1.2	0.9

### Grounding shelf

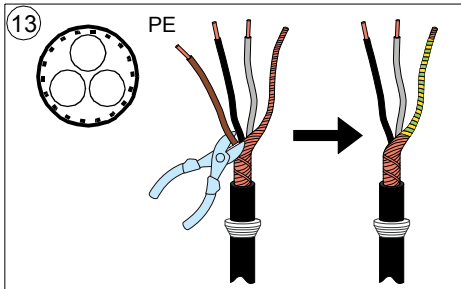
12. Frames R1...R2, R4: Install the grounding shelf (included with the mounting screws in a plastic bag in the delivery).



### Brake resistor cable (if used)

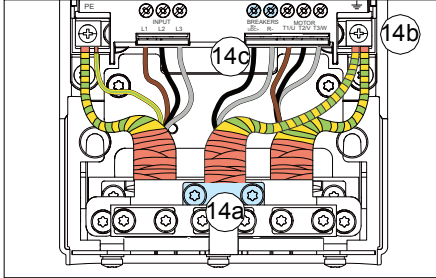
Frames R1...R3 only

13. Repeat steps 4...6 for the brake resistor cable. Cut off one phase conductor.

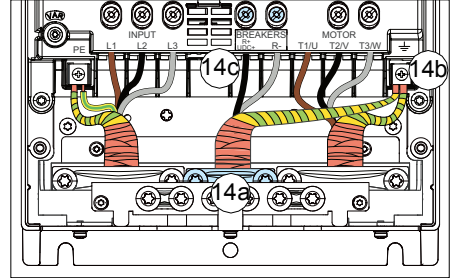


14. Connect the cable as the motor cable in step 7. Ground the shield 360 degrees (14a). Connect the twisted shield to the grounding terminal (14b) and the conductors to the R+ and R- terminals (14c) and tighten to the torque given below the figure.

R1...R2



R3



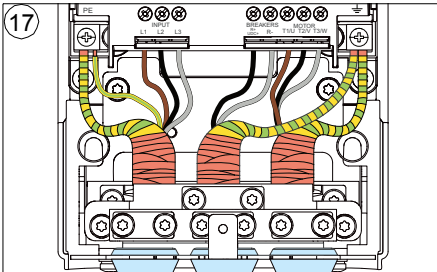
Frame size	R1		R2		R3	
	N·m	lbf·ft	N·m	lbf·ft	N·m	lbf·ft
R+, R-	0.5...0.6	0.4	1.2...1.5	1.1	2.5...4.5	3.3
PE, ⚡	1.5	1.1	1.5	1.1	1.5	1.1
	1.2	0.9	1.2	0.9	1.2	0.9

### Finalization

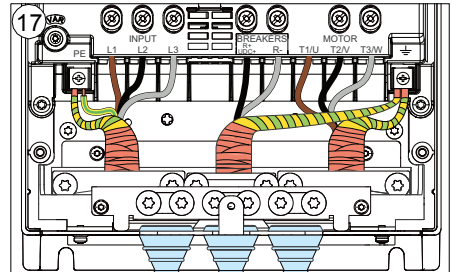
**Note:** Frame R1: You have to install any optional I/O extension module, if used, in options slot 2 at this point. See section [Installing option modules](#) on page 132.

15. Put the (so far) unused rubber grommets to the holes in the cable entry, unless you will continue with installing the control cables.

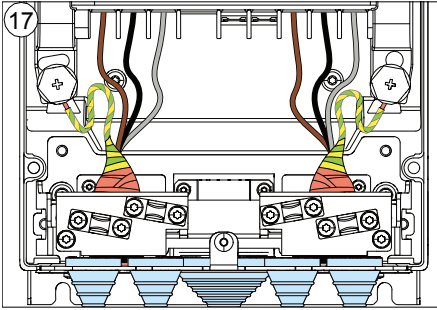
R1...R2



R3

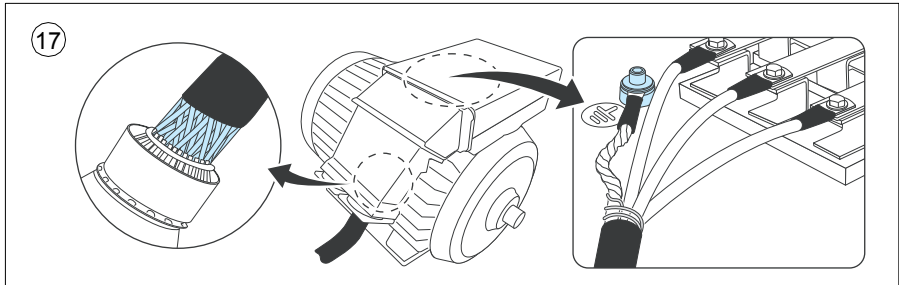


R4



16. Secure the cables outside the unit mechanically.

17. Ground the motor cable shield at the motor end. For minimum radio frequency interference, ground the motor cable shield 360 degrees at the cable entry of the motor terminal box.





## ■ Connection procedure, frame R5

### IP21 (UL Type 1)

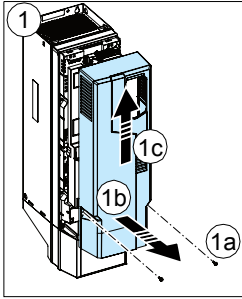
1. Remove the module cover: Loosen the retaining screws with a screwdriver (1a) and lift the cover from the bottom outwards (1b) and then up (1c).

Remove the box cover: Loosen the retaining screws with a screwdriver (1d) and slide the cover downwards (1e).

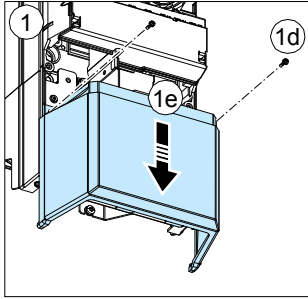
### IP55 (UL Type 12)

1. Remove the front cover: Loosen the retaining screws with a screwdriver (1a) and lift the cover from the bottom outwards (1b) and then up (1c).

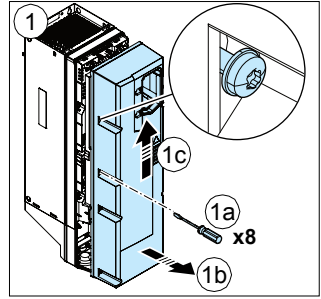
IP21 (UL Type)



IP21 (UL Type)

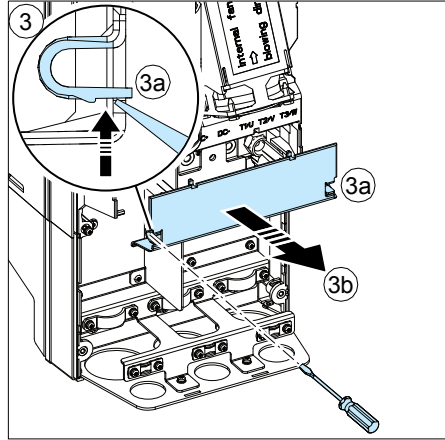
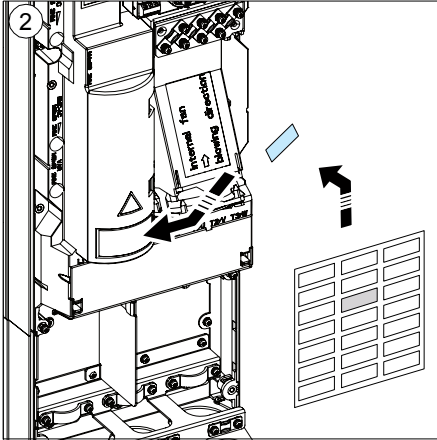


IP55 (UL Type 12)



**WARNING!** If the drive will be connected on an IT (ungrounded) system, make sure you have disconnected the EMC filter and ground-to-phase varistor. See page 91. If the drive will be connected on a corner-grounded TN system, make sure you have disconnected the EMC filter. See page 91.

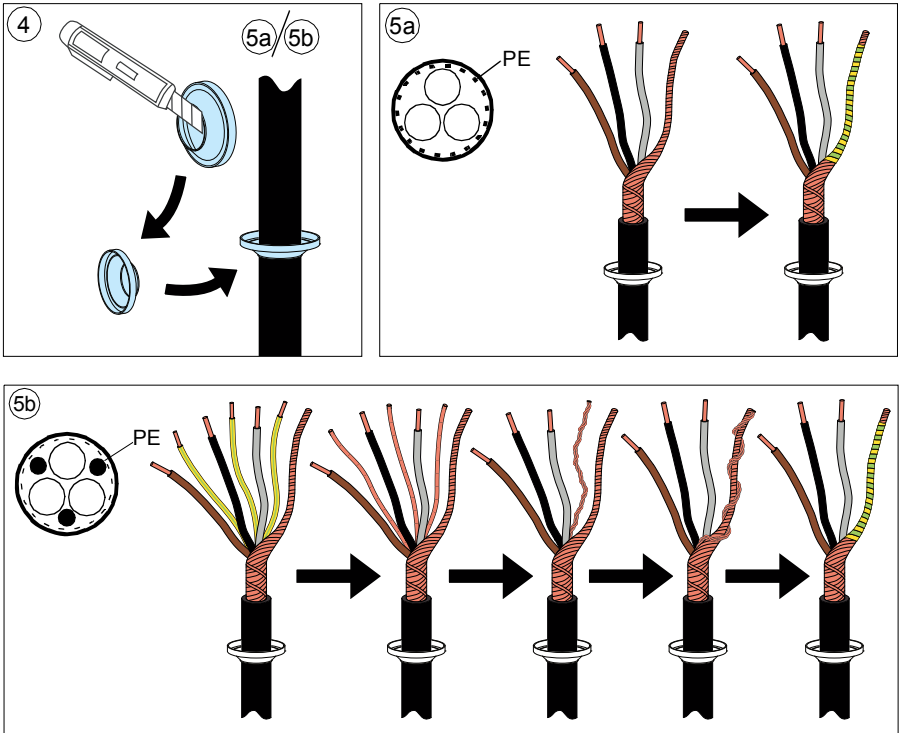
2. Attach the residual voltage warning sticker in the local language next to the control board.
3. Remove the shroud on the power cable terminals by releasing the clips with a screwdriver (3a) and pulling the shroud out (3b).



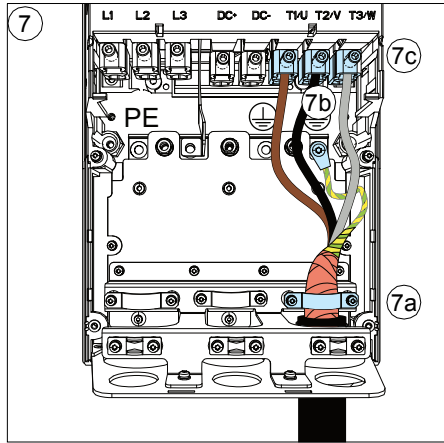
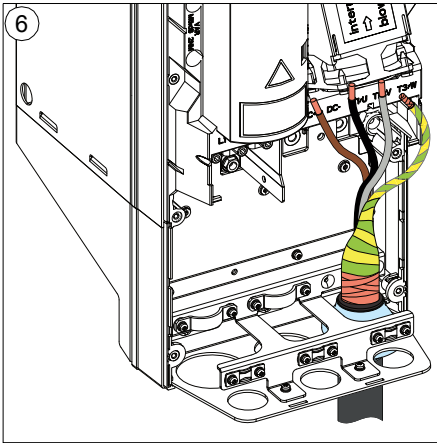
## Motor cable

Use symmetrical shielded cable for motor cabling. If the cable shield is the sole PE conductor for drive or motor, make sure that it has sufficient conductivity for the PE.

4. Cut an adequate hole into the rubber grommet. Slide the grommet onto the cable.
5. Prepare the ends of the motor cable as illustrated in figures 5a and 5b (two different motor cable types are shown). If you use aluminum cables, put grease to the peeled aluminum cable before connecting it to the drive. **Note:** The bare shield will be grounded 360 degrees. Mark the pigtail made from the shield as a PE conductor with yellow-and-green color.



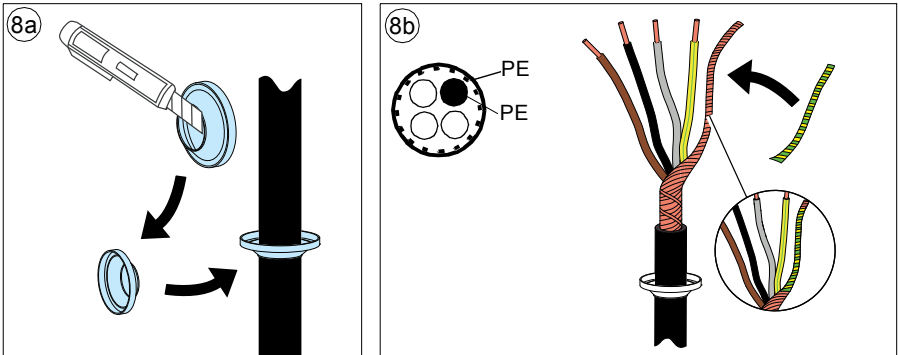
6. Slide the cable through the hole of the bottom plate and attach the grommet to the hole.
7. Connect the motor cable:
  - Ground the shield 360 degrees by tightening the clamp of the power cable grounding shelf onto the stripped part of the cable (7a).
  - Connect the twisted shield of the cable to the grounding terminal (7b).
  - Connect the phase conductors of the cable to the T1/U, T2/V and T3/W terminals (7c). Tighten the screws to the torque given in the figure.



Frame size	T1/U, T2/V, T3/W		PE, ⊕			⊕	
	N·m	lbf·ft	M	N·m	lbf·ft	N·m	lbf·ft
R5	5.6	4.1	M5	2.2	1.6	1.2	0.9

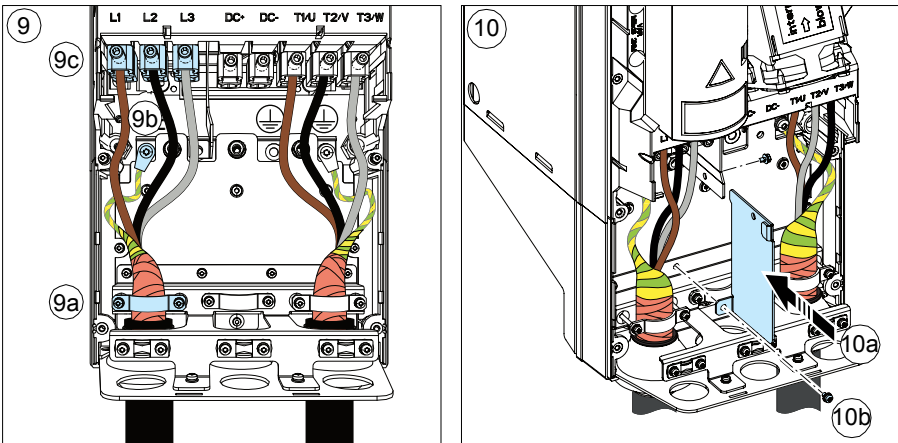
### Input power cable

8. Repeat steps 4...6 for the input power cable.



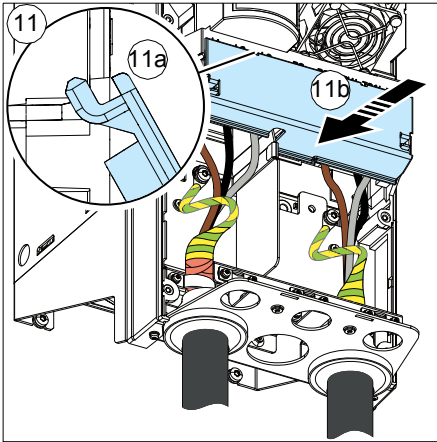
9. Connect the input power cable. Tighten the screws to the torque given in the figure.

10. Install the cable box plate. Position the plate and tighten the screw.



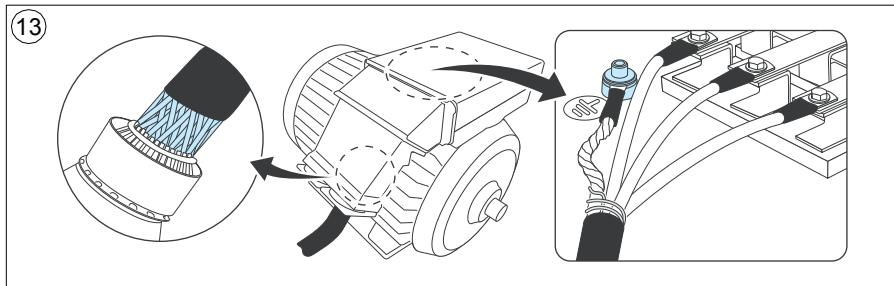
Frame size	L1, L2, L3		PE, ⚡			⚡	
	N·m	lbf·ft	M	N·m	lbf·ft	N·m	lbf·ft
R5	5.6	4.1	M5	2.2	1.6	1.2	0.9

11. Reinstall the shroud on the power terminals by putting the tabs at the top of the shroud in their counterparts on the drive frame and then pressing the shroud in place.



### Finalization

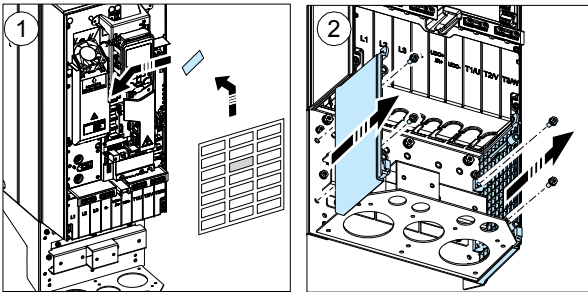
12. Secure the cables outside the unit mechanically.
13. Ground the motor cable shield at the motor end. For minimum radio frequency interference, ground the motor cable shield 360 degrees at the cable entry of the motor terminal box.



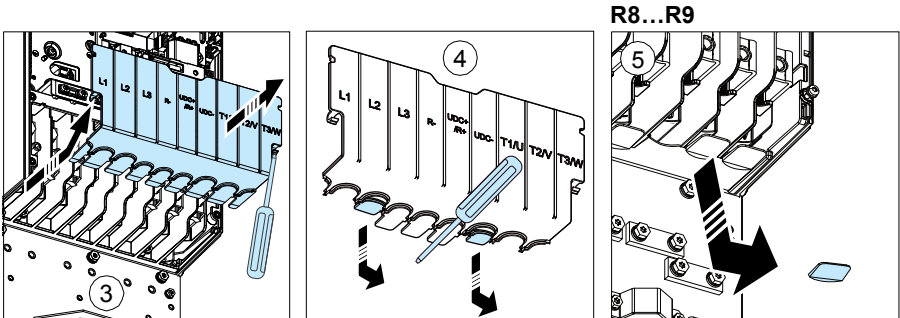
■ Connection procedure, frames R6...R9

**⚠ WARNING!** If the drive will be connected on an IT (ungrounded) system, make sure you have disconnected the EMC filter and ground-to-phase varistor. See page 91. If the drive will be connected on a corner-grounded TN system, make sure you have disconnected the EMC filter. See page 91.

1. Attach the residual voltage warning sticker in the local language next to the control board.
2. Remove the side plates of the cable box: Remove the retaining screws and slide the walls out.

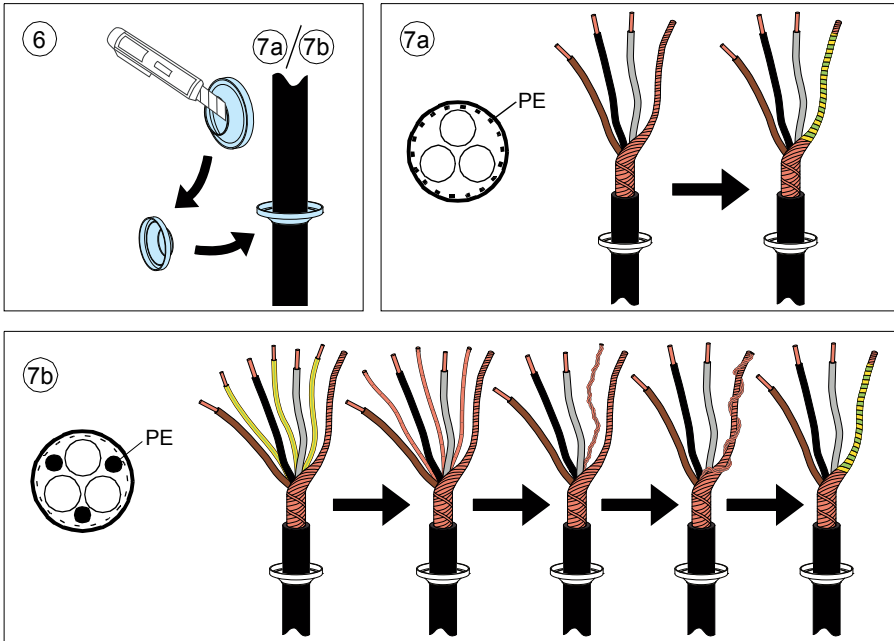


3. Remove the shroud on the power cable terminals by releasing the clips with a screwdriver and pulling the shroud out.
4. Knock out holes in the shroud for the cables to be installed.
5. Frames R8...R9: If you install parallel cables, also knock out holes in the lower shroud for the cables to be installed.



**Motor cable**

6. Cut an adequate hole into the rubber grommet. Slide the grommet onto the cable.
7. Prepare the ends of the input power cable and motor cable as illustrated in the figure. If you use aluminum cables, put grease to the peeled aluminum cable before connecting it to the drive. Two different motor cable types are shown in the figures (7a, 7b). **Note:** The bare shield will be grounded 360 degrees. Mark the pigtail made from the shield as a PE conductor with yellow-and-green color.



8. Slide the cables through the holes in the cable entry and attach the grommets to the holes (the motor cable to the right and the input power cable to the left).
9. Connect the motor cable:
  - Ground the shield 360 degrees under the grounding clamps.
  - Connect the twisted shield of the cable to the grounding terminal (9a).
  - Connect the phase conductors of the cable to terminals T1/U, T2/V and T3/W. Tighten the screws to the torque given in the figure (9b).

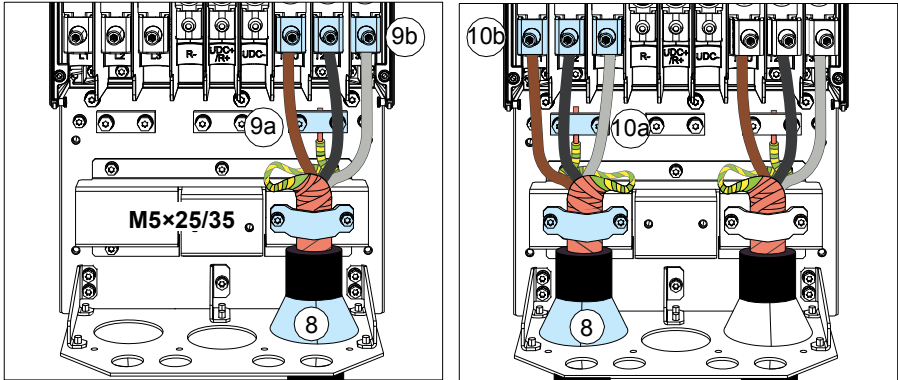
**Note 1 for frames R8...R9:** If you connect only one conductor to the connector, we recommend that you put it under the upper pressure plate.

**Note 2 for frames R8...R9:** The connectors are detachable but we do not recommend that you detach them. If you do, detach and reinstall the connectors as follows.



## Input power cable

10. Connect the input power cable as in step 9. Use terminals L1, L2 and L3.



Frame size	L1, L2, L3, T1/U, T2/V, T3/W		PE, $\ominus$			
	N·m	lbf·ft	N·m	N·m	N·m	lbf·ft
R6	30	22.1	9.8	7.2	1.2	0.9
R7	40	29.5	9.8	7.2	1.2	0.9
R8	40	29.5	9.8	7.2	1.2	0.9
R9	70	51.6	9.8	7.2	1.2	0.9

### Terminals T1/U, T2/V and T3/W

- Remove the nut that attaches the connector to its busbar.
- Put the conductor under the connector pressure plate and pre-tighten the conductor.
- Put the connector back to its busbar. Start the nut, and turn it at least two rotations by hand.



**WARNING!** Before using tools, make sure that the nut/screw is not cross-threading. Cross-threading will damage the drive and cause danger.

- Tighten the nut to a torque of 30 N·m (22 lbf·ft).
- Tighten the conductor(s) to 40 N·m (30 lbf·ft) for frame R8 or to 70 N·m (52 lbf·ft) for frame R9.

Terminals L1, L2 and L3

- Remove the combi screw that attaches the connector to its terminal post, and pull the connector off.
- Put the conductor under the connector pressure plate and pre-tighten the conductor.
- Put the connector back onto the terminal post. Start the combi screw, and turn it at least two rotations by hand.

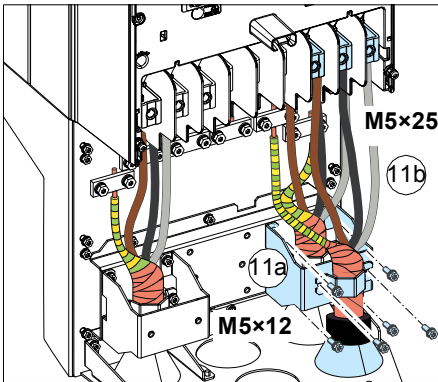


**WARNING!** Before using tools, make sure that the nut/screw is not cross-threading. Cross-threading will damage the drive and cause danger.

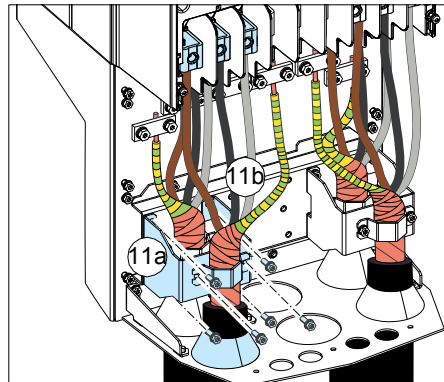
- Tighten the combi screw to a torque of 30 N·m (22 lbf·ft).
- Tighten the conductor(s) to 40 N·m (30 lbf·ft) for frame R8 or to 70 N·m (52 lbf·ft) for frame R9.

11. **Frames R8...R9:** If you install parallel cables, install the second grounding shelf for the parallel power cables (11a). Repeat steps 6...11 (11b).

**R8...R9**



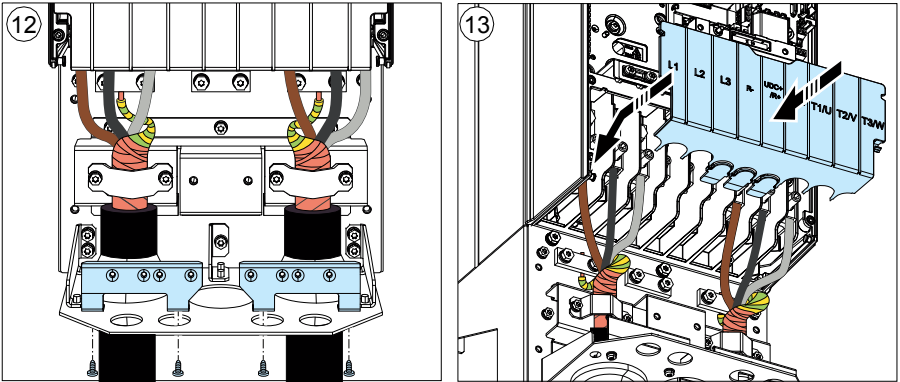
**R8...R9**



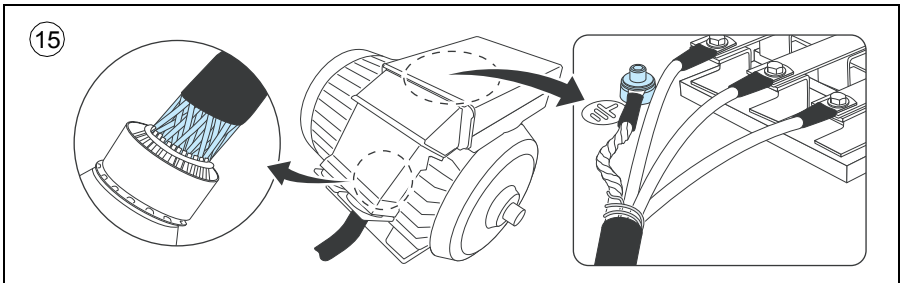
12. Install the grounding shelf of the control cables.

13. Reinstall the shroud on the power terminals.

14. Secure the cables outside the unit mechanically.



15. Ground the motor cable shield at the motor end. For minimum radio frequency interference, ground the motor cable shield 360 degrees at the cable entry of the motor terminal box.



## DC connection

The UDC+ and UDC- terminals (as standard in frames R4...R9) are for using external brake chopper units.

## **Connecting the control cables**

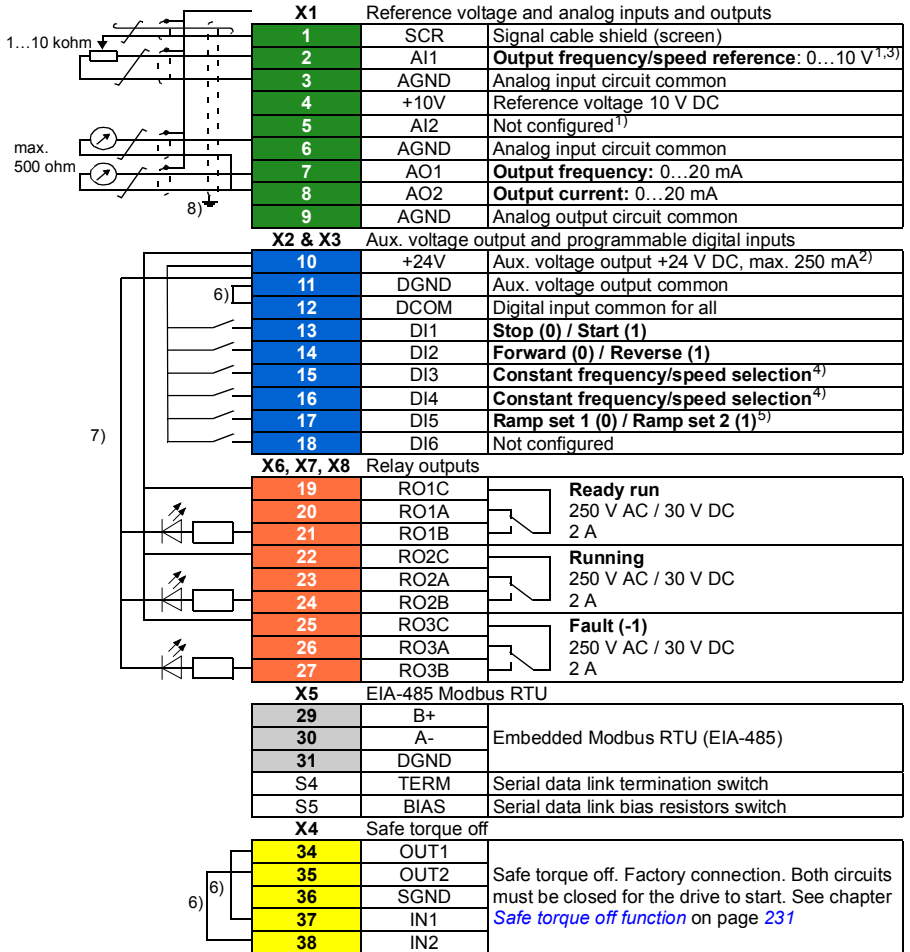
See section [Default I/O connection diagram \(ABB standard macro\)](#) on page [117](#) for the default I/O connections of the ABB standard macro. For other macros, see *ACS580 firmware manual* (3AXD50000016097 [English]).

Connect the cables as described under [Control cable connection procedure R1...R9](#) on page [126](#).

---

■ **Default I/O connection diagram (ABB standard macro)**

**R1...R5**



Total load capacity of the Auxiliary voltage output +24V (X2:10) is 6.0 W (250 mA / 24 V DC).

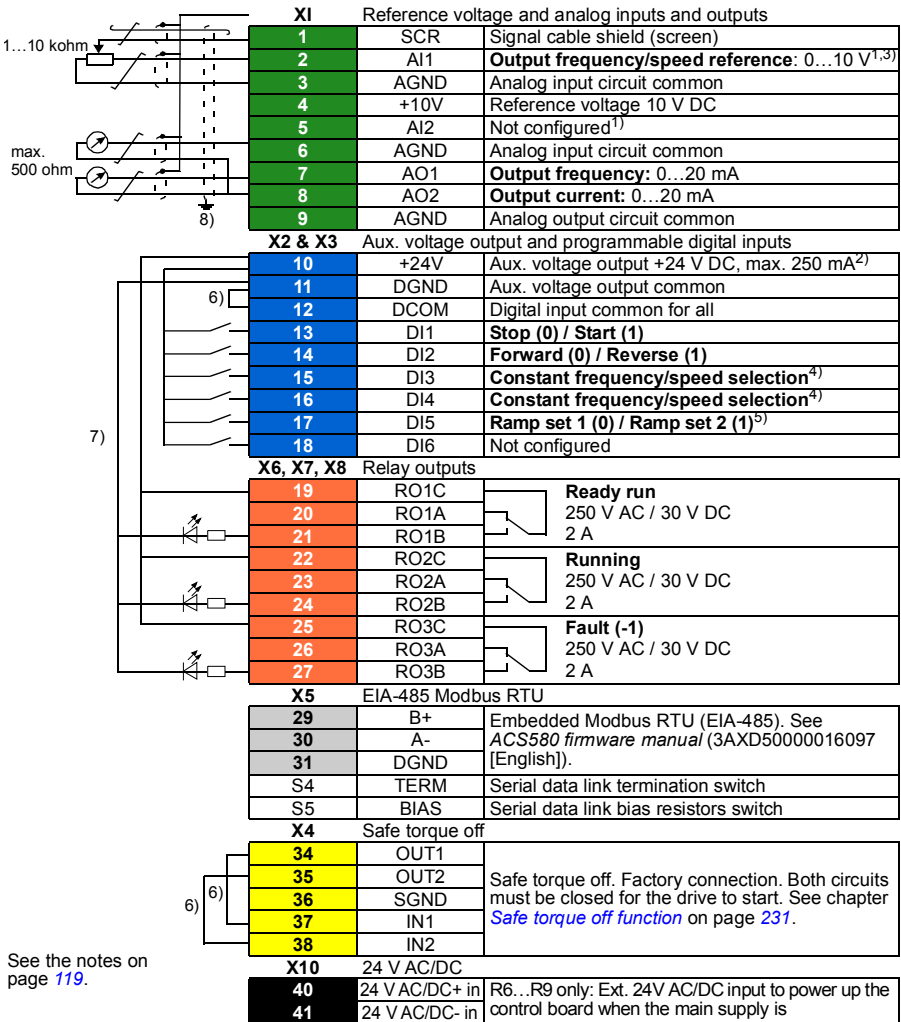
Wire sizes:

0.2...2.5 mm<sup>2</sup> (24...14 AWG): Terminals +24V, DGND, DCOM, B+, A-, DGND, Ext. 24V

0.14...1.5 mm<sup>2</sup> (26...16 AWG): Terminals DI, AI, AO, AGND, RO, STO

Tightening torques: 0.5...0.6 N·m (0.4 lbf·ft)

R6...R9



Wire sizes: 0.14...2.5 mm<sup>2</sup> (26...16 AWG); All terminals  
 Tightening torques: 0.5...0.6 N·m (0.4 lbf·ft)

**Notes:**

- 1) Current [0(4)...20 mA,  $R_{in} = 100 \text{ ohm}$ ] or voltage [ 0(2)...10 V,  $R_{in} > 200 \text{ kohm}$ ]. Change of setting requires changing the corresponding parameter.
- 2) Total load capacity of the Auxiliary voltage output +24V (X2:10) is 6.0 W (250 mA / 24 V) minus the power taken by the option modules installed on the board.
- 3) AI1 is used as a speed reference if vector control is selected.
- 4) In scalar control (default): See **Menu - Primary settings - Start, stop, reference - Constant frequencies** or parameter group 28 Frequency reference chain.  
In vector control: See **Menu - Primary setting - Start, stop, reference - Constant speeds** or parameter group 22 Speed reference selection.

DI3	DI4	Operation/Parameter	
		Scalar control (default)	Vector control
0	0	Set frequency through AI1	Set speed through AI1
1	0	28.26 Constant frequency 1	22.26 Constant speed 1
0	1	28.27 Constant frequency 2	22.27 Constant speed 2
1	1	28.28 Constant frequency 3	22.28 Constant speed 3





- 5) In scalar control (default): See **Menu - Primary settings - Ramps** or parameter group 28 Frequency reference chain.  
In vector control: See **Menu - Primary settings - Ramps** or parameter group 23 Speed reference ramp.

DI5	Ramp set	Parameters	
		Scalar control (default)	Vector control
0	1	28.72 Freq acceleration time 1	23.12 Acceleration time 1
		28.73 Freq deceleration time 1	23.13 Deceleration time 1
1	2	28.74 Freq acceleration time 2	23.14 Acceleration time 2
		28.75 Freq deceleration time 2	23.15 Deceleration time 2

- 6) Connected with jumpers at the factory.
- 7) Use shielded twisted-pair cables for digital signals.
- 8) Ground the outer shield of the cable 360 degrees under the grounding clamp on the grounding shelf for the control cables.

Further information on the usage of the connectors and switches is given in the sections below. See also section [Control connection data](#) on page 186.

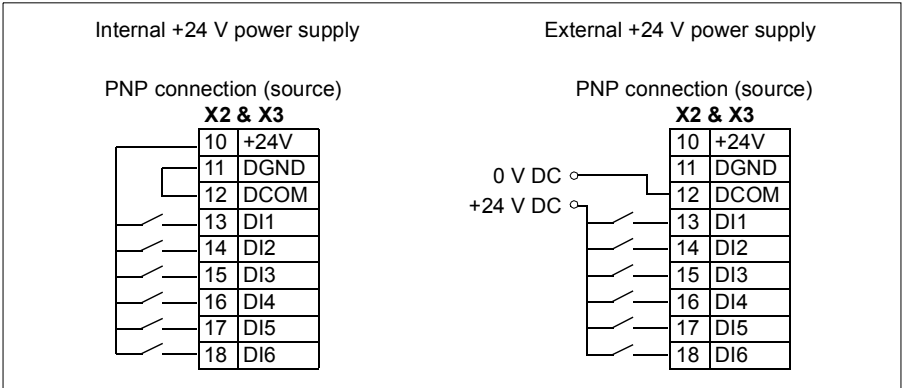
**Switches**

Switch	Description	Position	
<b>S4</b> <b>(TERM)</b>	Modbus link termination. Must be set to the terminated (ON) position when the drive is the first or last unit on the link.	ON  TERM	Bus not terminated <b>(default)</b>
		ON  TERM	Bus terminated
<b>S5</b> <b>(BIAS)</b>	Switches on the biasing voltages to the bus. One (and only one) device, preferably at the end of the bus must have the bias on.	ON  BIAS	Bias off <b>(default)</b>
		ON  BIAS	Bias on



### PNP configuration for digital inputs

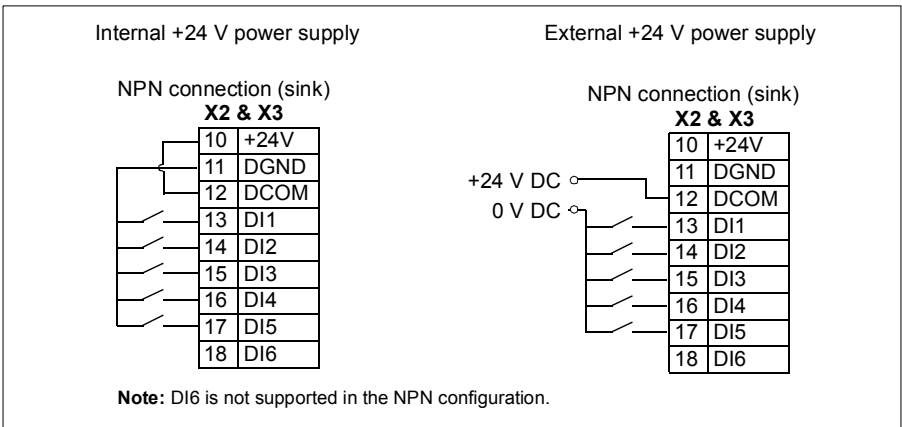
Internal and external +24 V power supply connections for PNP configuration are shown in the figure below.



**WARNING!** Do not connect the +24 V AC cable to the control board ground when the control board is powered using an external 24 V AC supply.

### NPN configuration for digital inputs

Internal and external +24 V power supply connections for NPN configuration are shown in the figure below.

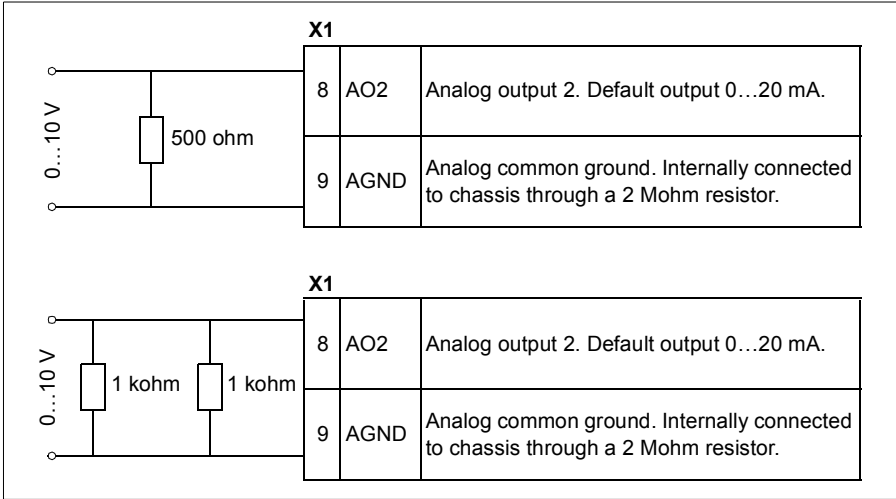


**WARNING!** Do not connect the +24 V AC cable to the control board ground when the control board is powered using an external 24 V AC supply.

**Connection for obtaining 0...10 V from analog output 2 (AO2)**

To obtain 0...10 V from analog output AO2, connect a 500 ohm resistor (or two 1 kohm resistors in parallel) between the analog output 2 AO2 and analog common ground AGND.

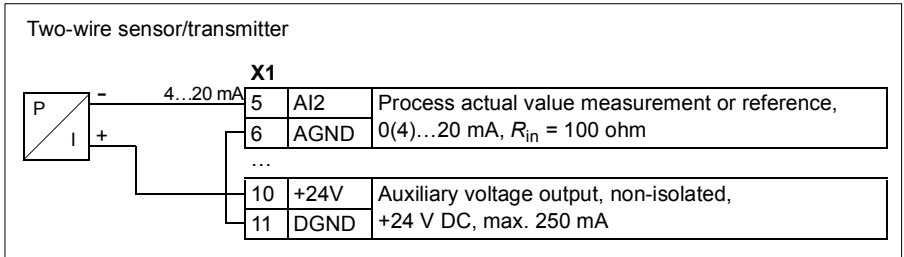
Examples are shown in the figure below.



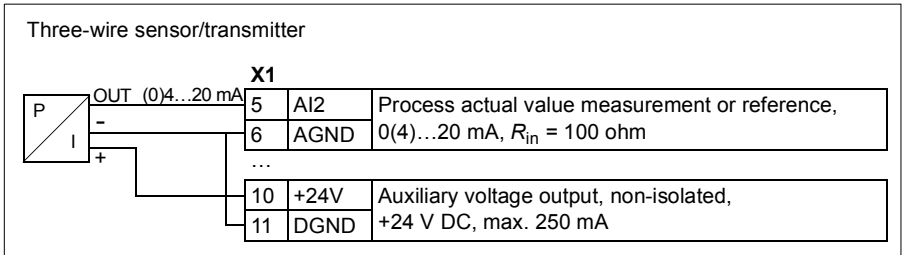
**Connection examples of two-wire and three-wire sensors**

Hand/Auto, Hand/PID, and PID macros (see *ACS580 firmware manual* (3AXD50000016097 [English])) use analog input 2 (AI2). The macro wiring diagrams on these pages use an externally powered sensor (connections not shown). The figures below give examples of connections using a two-wire or three-wire sensor/transmitter supplied by the drive auxiliary voltage output.

**Note:** Maximum capability of the auxiliary 24 V DC (250 mA) output must not be exceeded.



**Note:** The sensor is supplied through its current output and the drive feeds the supply voltage (+24 V DC). Thus the output signal must be 4...20 mA, not 0...20 mA.



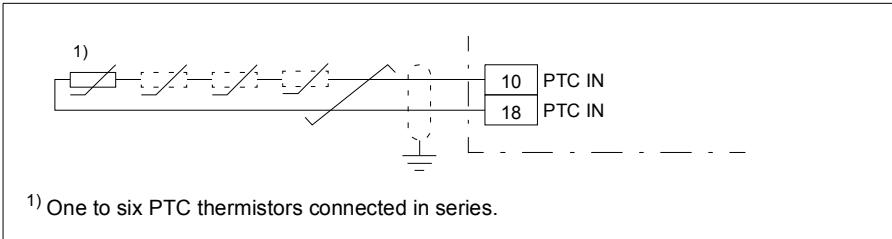
### DI5 as frequency input

For setting the parameters for the digital frequency input, see *ACS580 standard control program firmware manual* (3AXD50000016097 [English]).

### DI6 as PTC input

If DI6 is used as a PTC input, see *ACS580 standard control program firmware manual* (3AXD50000016097 [English]) for how to set parameters accordingly.

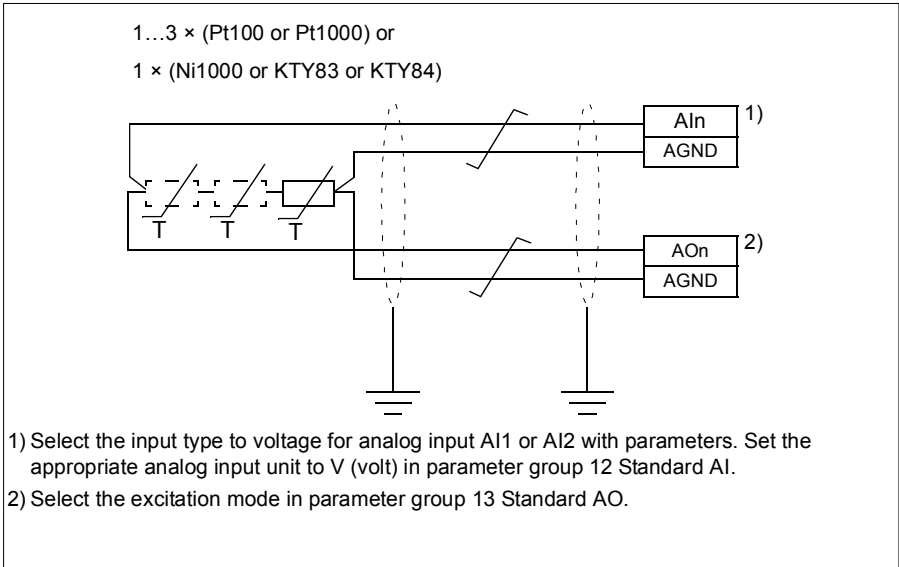
**Note:** If DI6 is used as PTC input, the wiring and the PTC sensor need to be double isolated. Otherwise the CMOD-02 I/O extension module must be used.



1) One to six PTC thermistors connected in series.

### AI1 and AI2 as Pt100, Pt1000, Ni1000, KTY83 and KTY84 sensor inputs (X1)

One, two or three Pt100 sensors; one, two or three Pt1000 sensors; or one Ni1000, KTY83 or KTY84 sensor for motor temperature measurement can be connected between an analog input and output as shown below. Do not connect both ends of the cable shields directly to ground. If a capacitor cannot be used at one end, leave that end of the shield unconnected.



**WARNING!** As the inputs pictured above are not insulated according to IEC 60664, the connection of the motor temperature sensor requires double or reinforced insulation between motor live parts and the sensor. If the assembly does not fulfill the requirement, the I/O board terminals must be protected against contact and must not be connected to other equipment or the temperature sensor must be isolated from the I/O terminals.

### Safe torque off (X4)

For the drive to start, both connections (+24 V DC to IN1 and +24 V DC to IN2) must be closed. By default, the terminal block has jumpers to close the circuit. Remove the jumpers before connecting an external Safe torque off circuitry to the drive. See chapter [Safe torque off function](#) on page 231.

**Note:** Only 24 V DC can be used for STO. Only PNP input configuration can be used.

## ■ Control cable connection procedure R1...R9



**WARNING!** Obey the instructions in chapter *Safety instructions* on page 13. If you ignore them, injury or death, or damage to the equipment can occur.

1. Stop the drive and do the steps in section *Precautions before electrical work* on page 16 before you start the work.
2. Remove the front cover(s) if not already removed. See page 97 (R1...R4), page 105 (R5) or page 63 (R6...R9).

### Analog signals

The figures for frames R1...R2 and R3 (page 128), R4 (page 129), R5 (page 130) and R6...R9 (page 131) show an example of connecting a cable. Make the connections according to the macro in use.

3. Cut an adequate hole into the rubber grommet and slide the grommet onto the cable. Slide the cable through a hole in the cable entry and attach the grommet to the hole.
4. Ground the outer shield of the cable 360 degrees under the grounding clamp. Keep the cable unstripped as close to the terminals of the control board as possible.  
Frames R5...R9: Secure the cables mechanically at the clamps below the control board.  
Ground also the pair-cable shields and grounding wire at the SCR terminal.
5. Route the cable as shown in the figures on pages 128 (R1...R2 and R3), 129 (R4), 130 (R5) or 131 (R6...R9).
6. Connect the conductors to the appropriate terminals of the control board and tighten to 0.5...0.6 N·m (0.4 lbf·ft).

### Digital signals

The figures for frames R1...R2 and R3 (page 128), R4 (page 129), R5 (page 130) and R6...R9 (page 131) show an example of connecting a cable. Make the connections according to the macro in use.

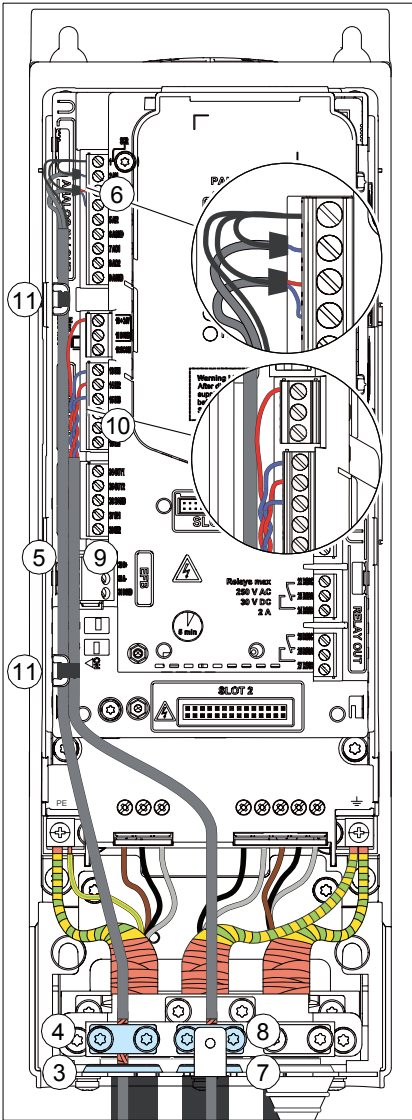
7. Cut an adequate hole into the rubber grommet and slide the grommet onto the cable. Slide the cable through the hole in the cable entry and attach the grommet to the hole.
8. Ground the outer shield of the cable 360 degrees under the grounding clamp. Keep the cable unstripped as close to the terminals of the control board as possible.  
Frames R5...R9: Secure the cables mechanically at the clamps below the control board.  
If you use double-shielded cables, ground also the pair-cable shields and grounding wire at the SCR terminal.

9. Route the cable as shown in the figures on pages 128 (R1...R2 and R3), 129 (R4), 130 (R5) or 131 (R6...R9).
10. Connect the conductors to the appropriate terminals of the control board and tighten to 0.5...0.6 N·m (0.4 lbf·ft).
11. Tie all control cables to the provided cable tie mounts.

**Note:**

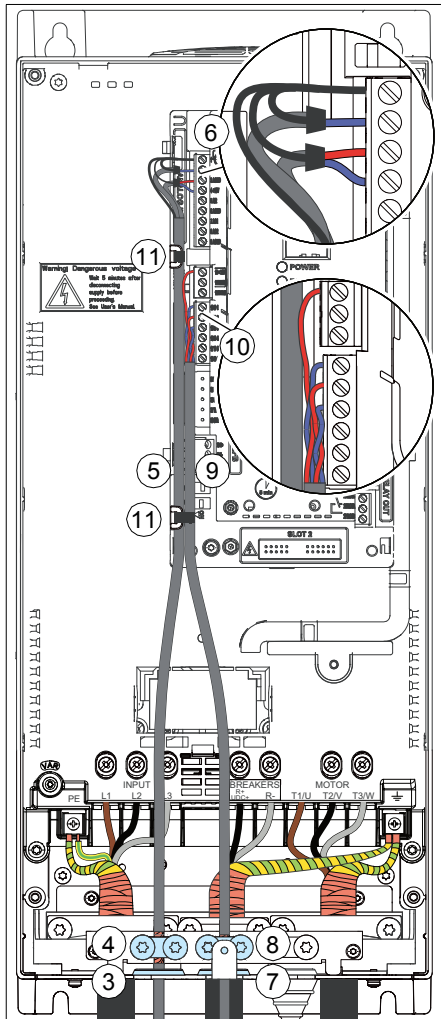
- Leave the other ends of the control cable shields unconnected or ground them indirectly via a high-frequency capacitor with a few nanofarads, eg, 3.3 nF / 630 V. The shield can also be grounded directly at both ends if they are *in the same ground line* with no significant voltage drop between the end points.
  - Keep any signal wire pairs twisted as close to the terminals as possible. Twisting the wire with its return wire reduces disturbances caused by inductive coupling.
-

R1...R2



R1...R2: 0.5...0.6 N·m (0.4 lbf·ft)

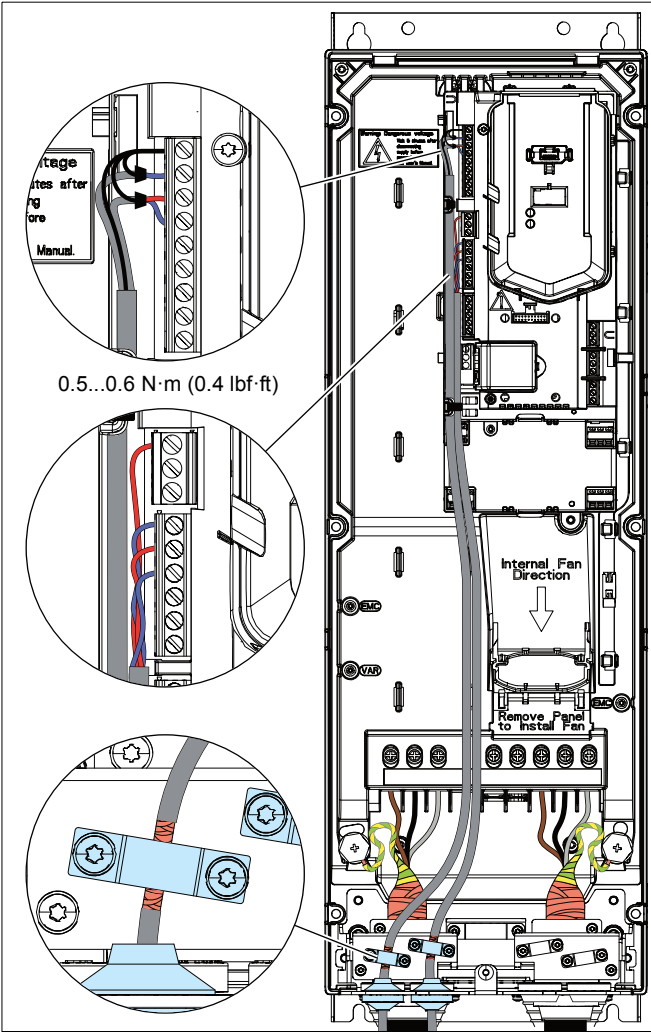
R3



R3: 0.5...0.6 N·m (0.4 lbf·ft)



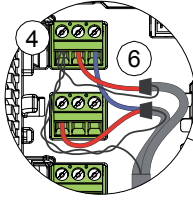
R4



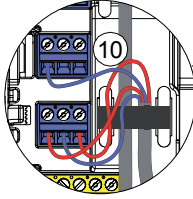


**R6...R9**

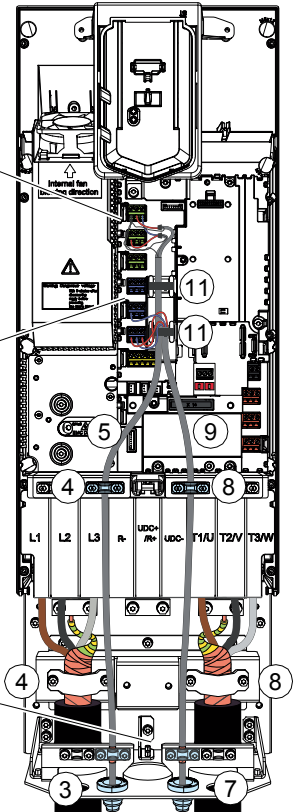
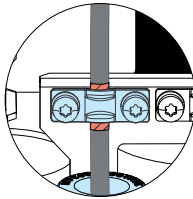
0.5...0.6 N·m  
(0.4 lbf·ft)



0.5...0.6 N·m  
(0.4 lbf·ft)



M4×20



## Installing option modules

**Note:** In US deliveries, options are already installed at the factory.

**Note:** If you will install the FPBA-01 module, see section [FPBA-01 PROFIBUS DP adapter module connectors](#) on page 77 for suitable connector types.

### ■ Mechanical installation of option modules

See section [Overview of power and control connections](#) page 34 for the available slots for each module. Install the option modules as follows:



**WARNING!** Obey the instructions in chapter [Safety instructions](#) on page 13. If you ignore them, injury or death, or damage to the equipment can occur.

**Note:** Slot 2 in frames R1...R5 is at  $U_{DC}$  potential. You must disconnect power supplies before installing or removing an I/O extension module.

---

Stop the drive and do the steps in section [Precautions before electrical work](#) on page 16 before you start the work.

1. Remove the front cover(s) if not already removed. See page 97 (R1...R4), page 105 (R5) or page 63 (R6...R9).

The figures for frames R1...R5 (page 133) and R6...R9 (page 134) show an example of installing option modules.

#### Option slot 2 (I/O extension modules)

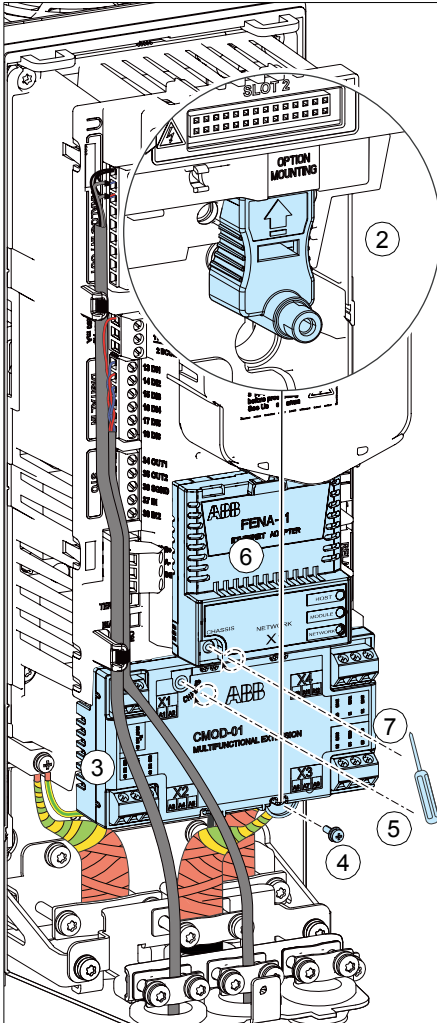
2. Frame R1 only: Install the option mounting.
3. Put the module carefully into its position on the control board.
4. Tighten the mounting screw.
5. Tighten the grounding screw (CHASSIS). **Note:** The screw grounds the module. It is necessary for fulfilling the EMC requirements and for proper operation of the module.

**Note:** Frame R1: The module in option slot 2 covers the power terminals. Do not install a module in option slot 2 before you have installed the power cables.

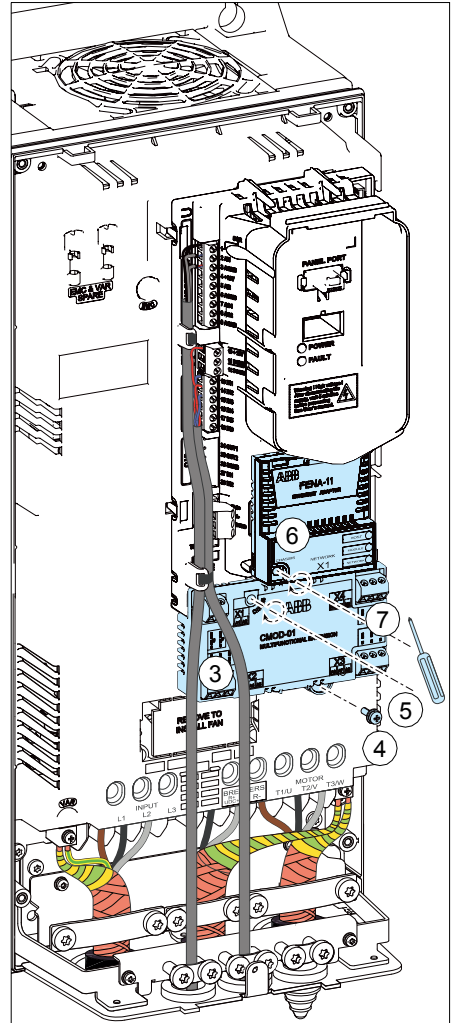
#### Option slot 1 (fieldbus adapter modules)

6. Put the module carefully into its position on the control board.
  7. Tighten the mounting screw (CHASSIS). **Note:** The screw tightens the connections and grounds the module. It is necessary for fulfilling the EMC requirements and for proper operation of the module.
-

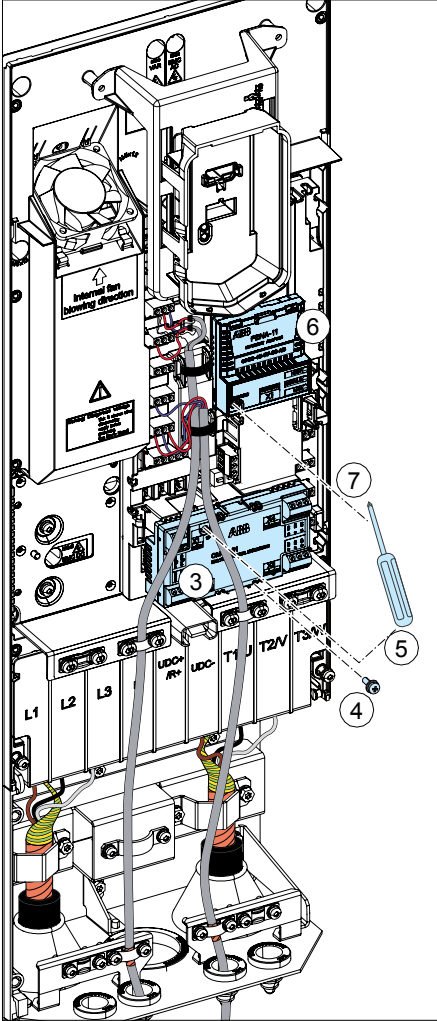
R1...R2



R3...R5



R6...R9



■ Wiring the modules

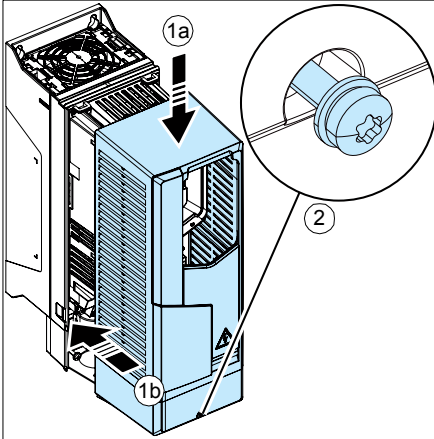
See the appropriate option module manual for specific installation and wiring instructions.

## Reinstalling covers

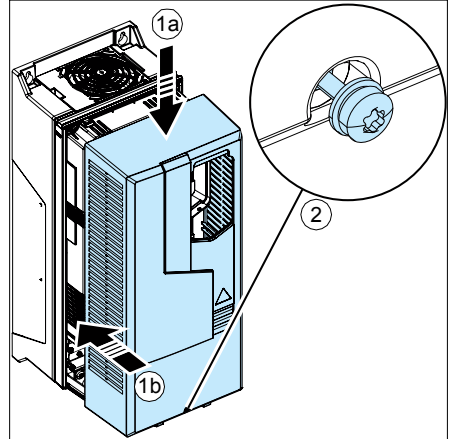
### ■ Reinstalling cover, frames R1...R4

1. Reinstall the cover: Put the tabs on the cover top in their counterparts on the housing (1a) and then press the cover (1b).
2. Tighten the retaining screw at the bottom with a screwdriver.

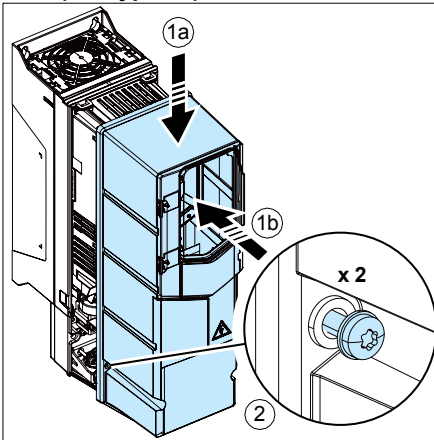
IP21 (UL Type 1) R1...R2



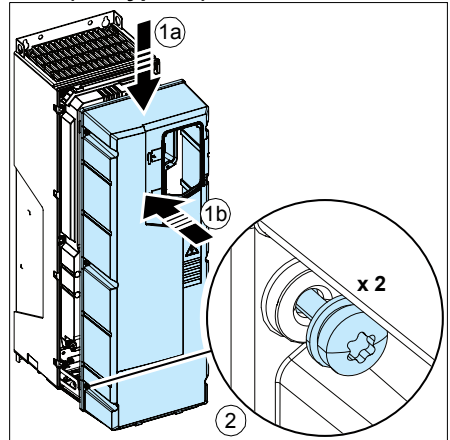
IP21 (UL Type 1) R3...R4



IP55 (UL Type 12) R1...R3



IP55 (UL Type 12) R4



## ■ Reinstalling covers, frame R5

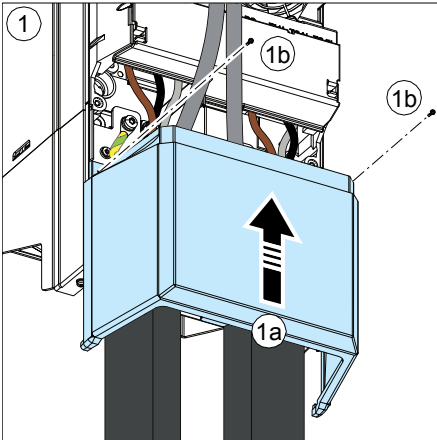
### IP21 (UL Type 1)

1. Reinstall the box cover: Slide the cover upwards (1a) and tighten the retaining screws (1b).
2. Reinstall the module cover: Press the cover at the bottom (2a) and tighten the retaining screws (2b).

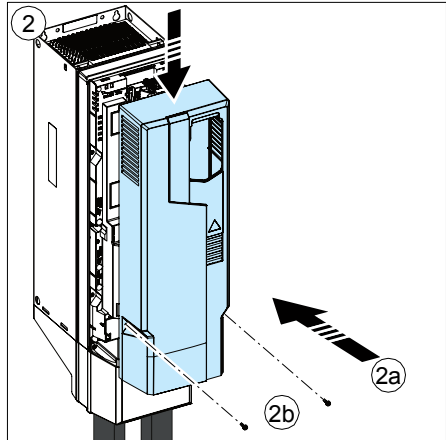
### IP55 (UL Type 12)

1. Reinstall the front cover: Press the cover at the bottom (1a) and tighten the retaining screws (1b).

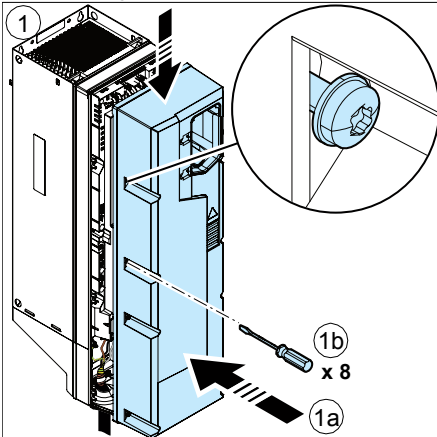
### IP21 (UL Type 1)



### IP21 (UL Type 1)



### IP55 (UL Type 12)





■ Reinstalling side plates and covers, frames R6...R9

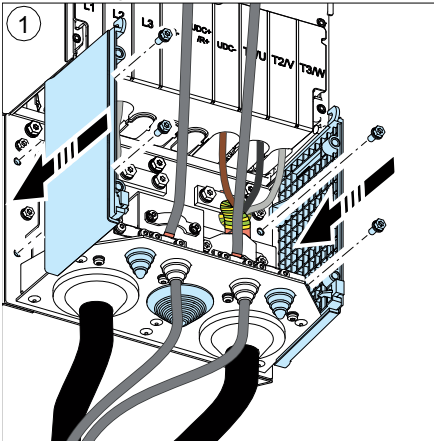
**IP21 (UL Type 1)**

1. Reinstall the side plates of the cable box. Tighten the retaining screws with a screwdriver.
2. Slide the cover of the cable box on the module from below until the cover snaps into place.
3. Reinstall the module cover. Tighten the two retaining screws with a screwdriver.

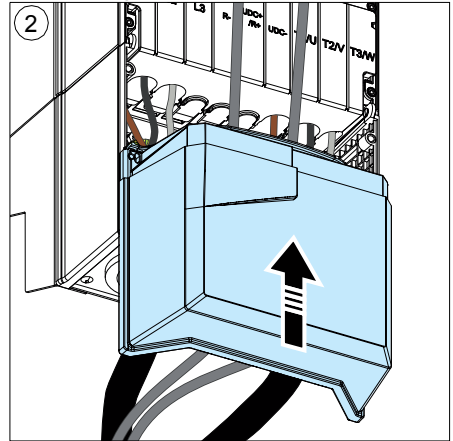
**IP55 (UL Type 12)**

1. Reinstall the side plates of the cable box. Tighten the retaining screws with a screwdriver.

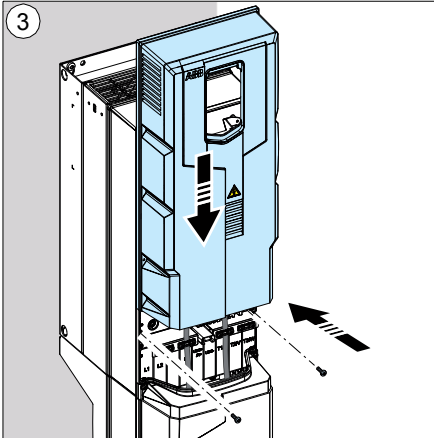
**IP21 (UL Type 1)**



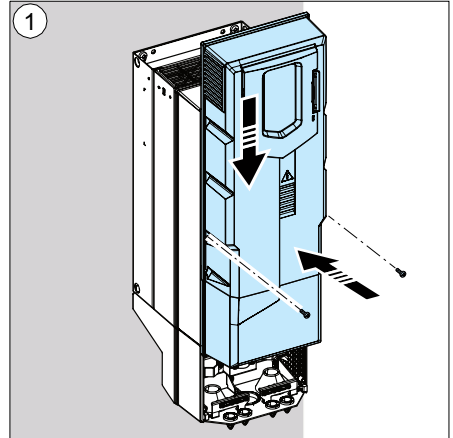
**IP21 (UL Type 1)**



**IP21 (UL Type 1)**



**IP55 (UL Type 1)**



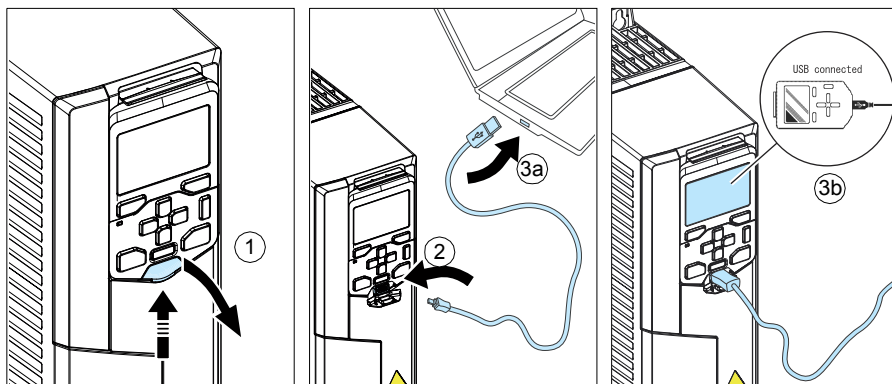
## Connecting a PC

To be able to connect a PC to the drive, you need an assistant control panel (ACS-AP-I, ACS-AP-S or ACS-AP-W). It is also possible to use CCA-01 configuration adapter.

Connect a PC to the drive with a USB data cable (USB Type A <-> USB Type Mini-B) as follows:

1. Lift the USB connector cover from bottom upwards.
2. Put the USB cable Mini-B plug in the control panel USB connector.
3. Put the USB cable A-plug in the USB connector of the PC (3a). The panel displays text "USB connected" (3b).

**Note:** Panel keys cannot be used when a USB data cable is connected to the panel.



For information on using the Drive composer PC tool, see *Drive composer PC tool user's manual* (3AUA0000094606 [English]).

You can connect a remote ACS-AP-I, ACS-AP-S or ACS-AP-W control panel to the drive, or to chain the control panel or a PC to several drives on a panel bus with a CDPI-01 communication adapter module. See *CDPI-01 communication adapter module user's manual* (3AXD50000009929 [English]).

## 7

# Installation checklist

---

## Contents of this chapter

This chapter contains an installation checklist which you must complete before you start up the drive.

## Warnings



**WARNING!** Obey the instructions in chapter [Safety instructions](#) on page 13. If you ignore them, injury or death, or damage to the equipment can occur.

---

## Checklist

Do the steps in section [Precautions before electrical work](#) on page 16 before you start the work. Go through the checklist together with another person.

<input checked="" type="checkbox"/>	Check that ...
<input type="checkbox"/>	The ambient operating conditions meet the specification in section <a href="#">Ambient conditions</a> on page 192.
<input type="checkbox"/>	<u>If the drive will be connected to a corner-grounded TN system:</u> The internal EMC filter has been disconnected. See section <a href="#">Checking the compatibility with IT (ungrounded) and corner-grounded TN systems</a> on page 91.
<input type="checkbox"/>	<u>If the drive will be connected to an IT (ungrounded) system:</u> The internal EMC filter and the ground-to-phase varistor has been disconnected. See section <a href="#">Checking the compatibility with IT (ungrounded) and corner-grounded TN systems</a> on page 91.

---

<input checked="" type="checkbox"/>	<b>Check that ...</b>
<input type="checkbox"/>	If the drive has not been powered (either in storage or unused) over one year: The electrolytic DC capacitors in the DC link of the drive have been reformed. See section <a href="#">Replacing the auxiliary cooling fan, IP55 (UL Type 12) frames R1...R2</a> on page 150.
<input type="checkbox"/>	There is an adequately sized protective earth (ground) conductor between the drive and the switchboard.
<input type="checkbox"/>	There is an adequately sized protective earth (ground) conductor between the motor and the drive.
<input type="checkbox"/>	All protective earth (ground) conductors have been connected to the appropriate terminals and the terminals have been tightened (pull conductors to check).
<input type="checkbox"/>	The supply voltage matches the nominal input voltage of the drive. Check the type designation label.
<input type="checkbox"/>	The input power cable has been connected to appropriate terminals, the phase order is correct, and the terminals have been properly tightened. (Pull conductors to check.)
<input type="checkbox"/>	Appropriate supply fuses and disconnectors have been installed.
<input type="checkbox"/>	The motor cable has been connected to appropriate terminals, the phase order is right, and the terminals have been tightened. (Pull conductors to check.)
<input type="checkbox"/>	The brake resistor cable (if present) has been connected to appropriate terminals, and the terminals have been tightened. (Pull conductors to check.)
<input type="checkbox"/>	The motor cable (and brake resistor cable, if present) has been routed away from other cables.
<input type="checkbox"/>	The control cables (if any) have been connected to the control board.
<input type="checkbox"/>	If a drive bypass connection will be used: The direct-on-line contactor of the motor and the drive output contactor are either mechanically or electrically interlocked (cannot be closed simultaneously).
<input type="checkbox"/>	There are no tools, foreign objects or dust from drilling inside the drive.
<input type="checkbox"/>	Drive and motor connection box covers are in place.
<input type="checkbox"/>	The motor and the driven equipment are ready for start-up.



# Maintenance and hardware diagnostics

---

## Contents of this chapter

The chapter contains preventive maintenance instructions and LED indicator descriptions.

## Maintenance intervals

The table below shows the maintenance tasks which can be done by the end user. The complete maintenance schedule is available on the Internet ([www.abb.com/drivesservices](http://www.abb.com/drivesservices)). For more information, consult your local ABB Service representative ([www.abb.com/searchchannels](http://www.abb.com/searchchannels)).

Maintenance and component replacement intervals are based on the assumption that the equipment is operated within the specified ratings and ambient conditions. ABB recommends annual drive inspections to ensure the highest reliability and optimum performance.

**Note:** Long term operation near the specified maximum ratings or ambient conditions may require shorter maintenance intervals for certain components. Consult your local ABB Service representative for additional maintenance recommendations.

---

### ■ Description of symbols

Action	Description
I	<b>Inspection</b> (visual inspection and maintenance action if needed)
P	<b>Performance</b> of on/off-site work (commissioning, tests, measurements or other work)
R	<b>Replacement</b>

### ■ Recommended annual actions by the user

Action	Description
P	Quality of supply voltage
I	Spare parts
P	Capacitor reforming for spare drives and spare capacitors (page 154)
I	Tightness of terminals
I	Dustiness, corrosion or temperature
P	Heat sink cleaning (page 143)

### ■ Recommended maintenance actions by the user

Component	Years from start-up						
	3	6	9	12	15	18	21
<b>Cooling</b>							
<b>Fans, IP21 (UL Type 1) frames R1 to R9</b>							
Main cooling fan R1...R4: page 145, R5: page 147		R		R		R	
Main cooling fan LONGLIFE R6...R8: page 147, R9: page 148			R			R	
Auxiliary cooling fan (LONGLIFE) for circuit boards, R5...R9: page 149			R			R	
<b>Fans, IP55 (UL Type 12) frames R1 to R9</b>							
Main cooling fan R1...R4: page 145, R5: page 147		R		R		R	
Main cooling fan LONGLIFE R6...R8: page 147, R9: page 148			R			R	
Auxiliary cooling fan for circuit boards R1...R2 <sup>1)</sup> : page 150		R		R		R	
Auxiliary cooling fan (LONGLIFE) for circuit boards R3: page 151, R4: page 152, R5...R9: page 149			R			R	
Second auxiliary cooling fan (LONGLIFE) R8 and R9: page 153			R			R	
<b>Aging</b>							
Control panel battery: page 155			R			R	

<sup>1)</sup> Valid for ACS580-01 type codes listed in this manual. For other type codes, see ACS580-01 (0.75 to 250 kW, 1.0 to 350 hp) hardware manual (3AXD5000018826 [English]).

## Heatsink

The drive heatsink fins pick up dust from the cooling air. The drive can run into overtemperature warnings and faults if the heatsink is not clean. When necessary, clean the heatsink as follows.



**WARNING!** Obey the instructions in chapter [Safety instructions](#) on page [13](#). Ignoring the instructions can cause physical injury or death, or damage to the equipment.

---



**WARNING!** Use a vacuum cleaner with antistatic hose and nozzle. Using a normal vacuum cleaner creates static discharges which can damage circuit boards.

---

1. Stop the drive and disconnect it from the power line. Wait for 5 minutes and then make sure by measuring that there is no voltage. See section [Precautions before electrical work](#) on page [16](#) before you start the work.
  2. Remove the cooling fan(s). See section [Fans](#) on page [144](#).
  3. Blow clean, dry and oil free compressed air from bottom to top and simultaneously use a vacuum cleaner at the air outlet to trap the dust.  
**Note:** If there is a risk of dust entering adjoining equipment, do the cleaning in another room.
  4. Reinstall the cooling fan(s).
-

## Fans

See section [Maintenance intervals](#) on page [141](#) for the fan replacement interval in average operation conditions.

In a speed-controlled fan, the speed of the fan matches the cooling needs. This increases the life span of the fan.

Main fans are speed controlled. When the drive is stopped, the main fan is kept running at low speed to cool the control board. IP21 (UL Type 1) frames R5...R9 and all IP55 (UL Type 12) frames have auxiliary fans that are not speed controlled and run all the time when the control board is powered.

Replacement fans are available from the manufacturer. Do not use other than specified spare parts.

---



## ■ Replacing the main cooling fan, IP21 and IP55 (UL Type 1 and UL Type 12) frames R1...R4



**WARNING!** Obey the instructions in chapter [Safety instructions](#) on page 13. Ignoring the instructions can cause physical injury or death, or damage to the equipment.

1. Stop the drive and disconnect it from the power line. Wait for 5 minutes and then make sure by measuring that there is no voltage. See section [Precautions before electrical work](#) on page 16 before you start the work.

### R1...R3

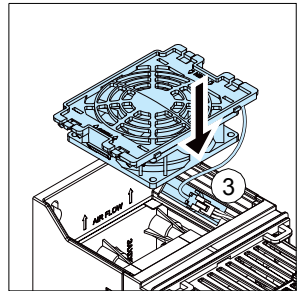
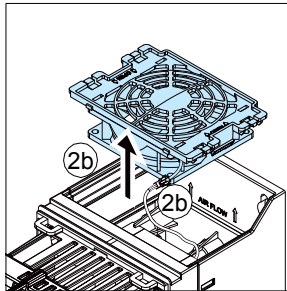
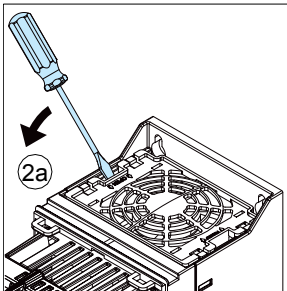
2. Lever the fan assembly off the drive frame with for example a screwdriver (2a) and pull out the fan assembly (2b) until you can unplug the fan power supply wires from the fan assembly (2c).

3. Install the fan assembly in reverse order.

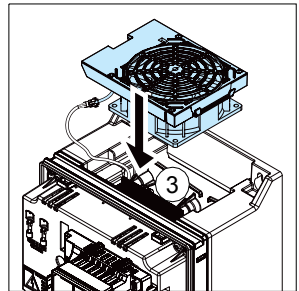
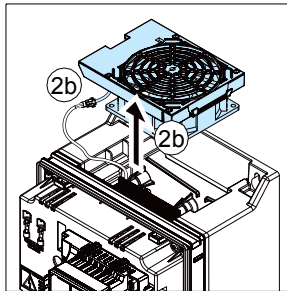
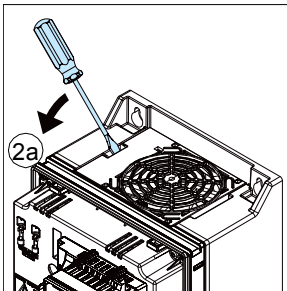
R1...R2: Put the connector and extra length of wires in the groove so that the wires do not get caught in the revolving fan.

R3: Put the extra length of wires under the fan assembly so that the wires do not get caught in the revolving fan.

### R1...R2



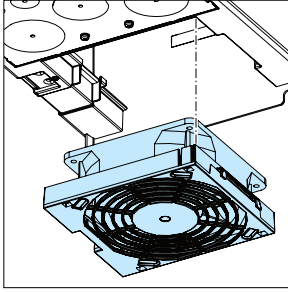
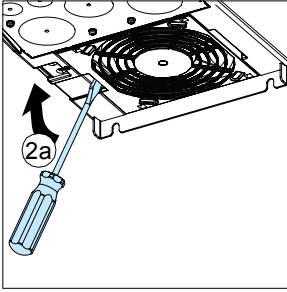
### R3



**R4**

2. Lever the fan assembly off the drive frame with for example a screwdriver (2a) and pull out the fan assembly (2b).
3. Install the fan assembly in reverse order.

**R4**



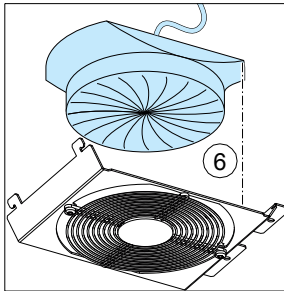
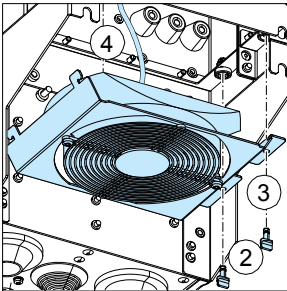
## ■ Replacing the main cooling fan, IP21 and IP55 (UL Type 1 and UL Type 12) frames R5...R8



**WARNING!** Obey the instructions in chapter [Safety instructions](#) on page [13](#). Ignoring the instructions can cause physical injury or death, or damage to the equipment.


---

1. Stop the drive and disconnect it from the power line. Wait for 5 minutes and then make sure by measuring that there is no voltage. See section [Precautions before electrical work](#) on page [16](#) before you start the work.
2. Remove the two mounting screws of the fan mounting plate at the bottom of the drive.
3. Pull the fan mounting plate down from the side edge.
4. Unplug the fan power supply wires from the drive.
5. Lift the fan mounting plate off.
6. Remove the fan from the mounting plate.
7. Install the new fan in reverse order.



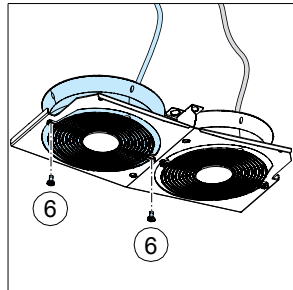
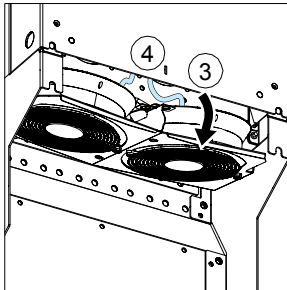
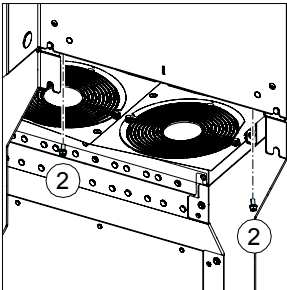
## ■ Replacing the main cooling fans, IP21 and IP55 (UL Type 1 and UL Type 12) frame R9

---

 **WARNING!** Obey the instructions in chapter [Safety instructions](#) on page [13](#). Ignoring the instructions can cause physical injury or death, or damage to the equipment.

---

1. Stop the drive and disconnect it from the power line. Wait for 5 minutes and then make sure by measuring that there is no voltage. See section [Precautions before electrical work](#) on page [16](#) before you start the work.
2. Remove the two mounting screws of the fan mounting plate.
3. Turn the mounting plate downwards.
4. Unplug the fan power supply wires from the drive.
5. Remove the fan mounting plate.
6. Remove the fans by removing the two mounting screws.
7. Install the new fans in reverse order.

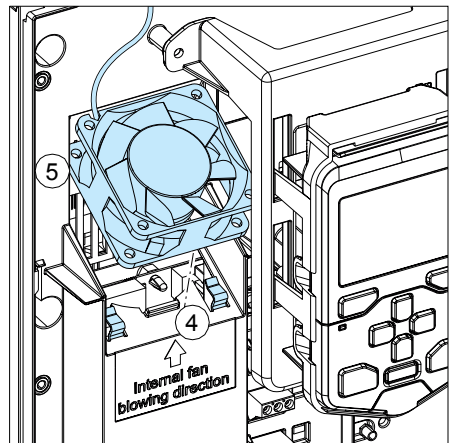
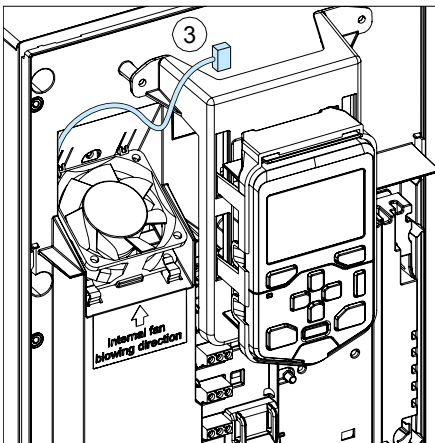


## ■ Replacing the auxiliary cooling fan, IP21 and IP55 (UL Type 1 and UL Type 12) frames R5...R9



**WARNING!** Obey the instructions in chapter [Safety instructions](#) on page 13. Ignoring the instructions can cause physical injury or death, or damage to the equipment.

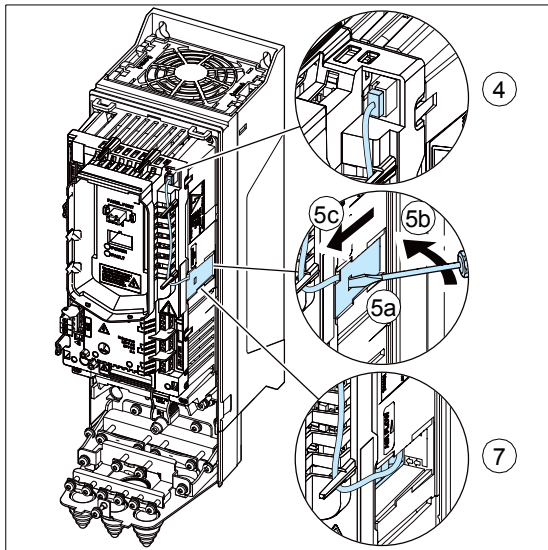
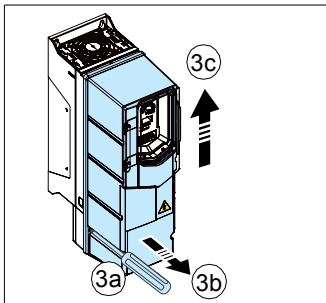
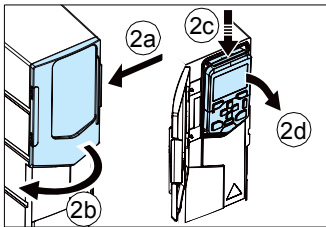
1. Stop the drive and disconnect it from the power line. Wait for 5 minutes and then make sure by measuring that there is no voltage. See section [Precautions before electrical work](#) on page 16 before you start the work.
  2. Remove the front cover (see page 63).
  3. Unplug fan power supply wires from the drive.
  4. Release the retaining clips.
  5. Lift the fan off.
  6. Install the new fan in reverse order.
- Note:** Make sure that the arrow on the fan points up.



## ■ Replacing the auxiliary cooling fan, IP55 (UL Type 12) frames R1...R2

**⚠ WARNING!** Obey the instructions in chapter [Safety instructions](#) on page [13](#). Ignoring the instructions can cause physical injury or death, or damage to the equipment.

1. Stop the drive and disconnect it from the power line. Wait for 5 minutes and then make sure by measuring that there is no voltage. See section [Precautions before electrical work](#) on page [16](#) before you start the work.
2. Remove the control panel: Press the retaining clip of the IP55 panel cover (2a) and open the cover (2b). Press the retaining clip of the control panel at the top (2c) and pull it forward from the top edge (2d).
3. Remove the front cover: Loosen the retaining screws with a screwdriver (3a) and lift the cover from the bottom outwards (3b) and then up (3c).
4. Unplug the fan power supply wires from the drive.
5. Remove the fingerguard: Insert a screwdriver into the hole of the fingerguard (5a), bend the front edge of the fingerguard a little away from the drive frame with the screwdriver (5b) and pull the fingerguard out of the groove (5c).
6. Pull off the fan.
7. Install the new fan assembly in reverse order. Route the wires round the pins.  
**Note:** Make sure that the arrow on the fan points to the same direction as the arrow on the drive frame.



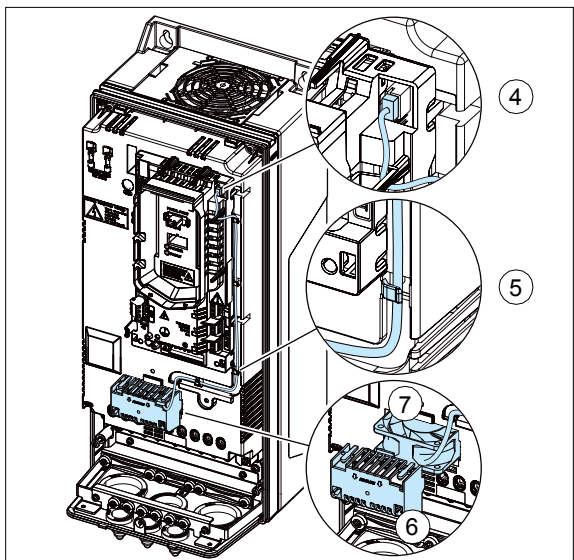
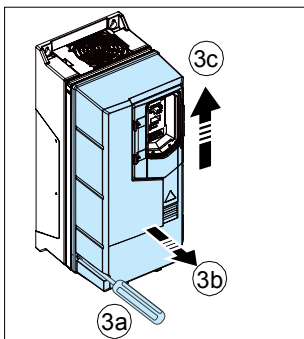
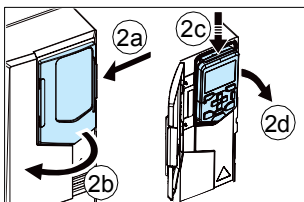
## ■ Replacing the auxiliary cooling fan, IP55 (UL Type 12) frame R3



**WARNING!** Obey the instructions in chapter [Safety instructions](#) on page 13. Ignoring the instructions can cause physical injury or death, or damage to the equipment.

1. Stop the drive and disconnect it from the power line. Wait for 5 minutes and then make sure by measuring that there is no voltage. See section [Precautions before electrical work](#) on page 16 before you start the work.
2. Remove the control panel: Press the retaining clip of the IP55 panel cover (2a) and open the cover (2b). Press the retaining clip of the control panel at the top (2c) and pull it forward from the top edge (2d).
3. Remove the front cover: Loosen the retaining screw with a screwdriver (3a) and lift the cover from the bottom outwards (3b) and then up (3c).
4. Unplug the fan power supply wires from the drive.
5. Detach the fan cable from the holders.
6. Pull off the plastic housing.
7. Pull off the fan.
8. Install the new fan and housing in reverse order.
 

**Note:** Make sure that the arrow on the fan points to the same direction as the arrow on the plastic housing (down).

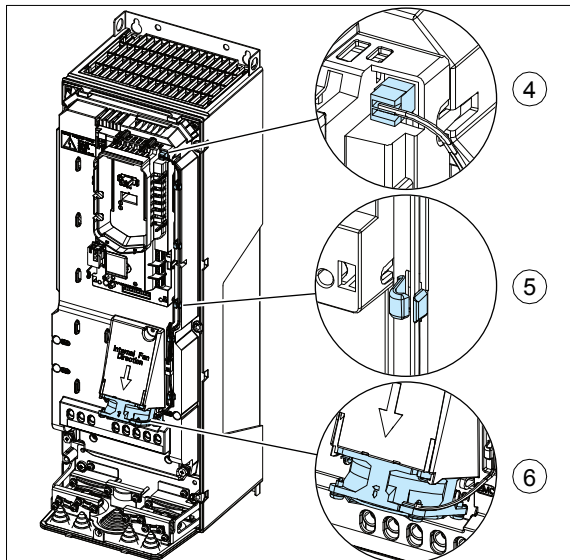
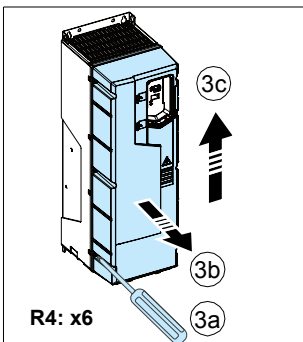
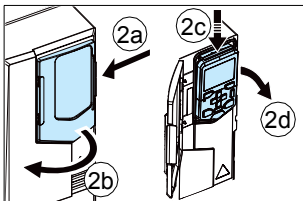


## ■ Replacing the auxiliary cooling fan, IP55 (UL Type 12) frame R4

**⚠ WARNING!** Obey the instructions in chapter [Safety instructions](#) on page [13](#). Ignoring the instructions can cause physical injury or death, or damage to the equipment.

1. Stop the drive and disconnect it from the power line. Wait for 5 minutes and then make sure by measuring that there is no voltage. See section [Precautions before electrical work](#) on page [16](#) before you start the work.
2. Remove the control panel: Press the retaining clip of the IP55 panel cover (2a) and open the cover (2b). Press the retaining clip of the control panel at the top (2c) and pull it forward from the top edge (2d).
3. Remove the front cover: Loosen the retaining screws (6 pieces) with a screwdriver (3a) and lift the cover from the bottom outwards (3b) and then up (3c).
4. Unplug the fan power supply wires from the drive.
5. Detach the fan cable from the clips.
6. Pull the fan off.
7. Install the new fan in reverse order.

**Note:** Make sure that the arrow on the fan points down.



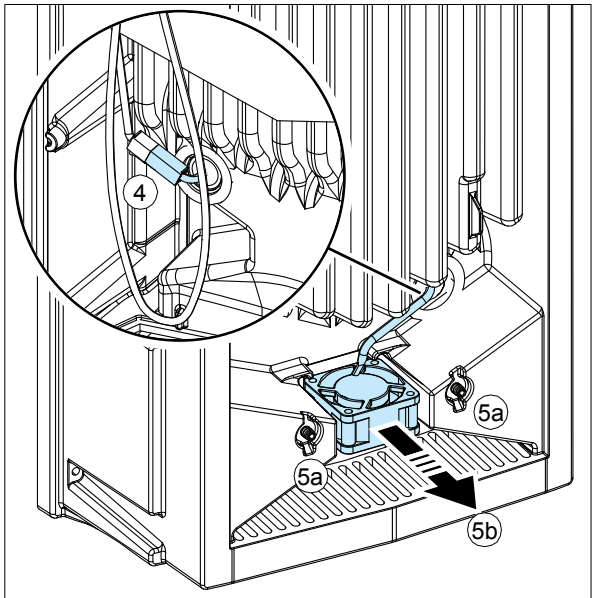
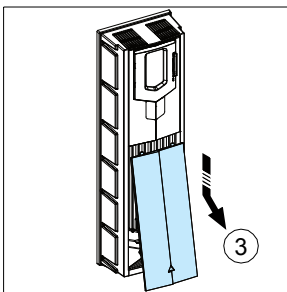
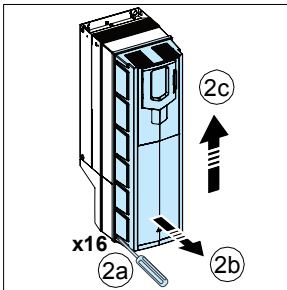


## ■ Replacing the second auxiliary cooling fan, IP55 (UL Type 12) frames R8...R9



**WARNING!** Obey the instructions in chapter [Safety instructions](#) on page 13. Ignoring the instructions can cause physical injury or death, or damage to the equipment.

1. Stop the drive and disconnect it from the power line. Wait for 5 minutes and then make sure by measuring that there is no voltage. See section [Precautions before electrical work](#) on page 16 before you start the work.
  2. Remove the front cover: Loosen the retaining screws (14 pieces) with a screwdriver (2a) and lift the cover from the bottom outwards (2b) and then up (2c).
  3. Remove the lower cover panel from the cover.
  4. Unplug the fan power supply wires from the connector on the other side of the IP55 (UL Type 12) front cover.
  5. Remove the retaining screws (5a) and pull off the fan (5b).
  6. Install the new fan in reverse order.
- Note:** Make sure that the arrow on the fan points up.



## Capacitors

The drive intermediate DC circuit employs several electrolytic capacitors. Their lifespan depends on the operating time of the drive, loading and ambient temperature. Capacitor life can be prolonged by lowering the ambient temperature.

Capacitor failure is usually followed by damage to the drive and an input cable fuse failure, or a fault trip. Contact the manufacturer if capacitor failure is suspected. Replacements are available from the manufacturer. Do not use other than specified spare parts.

### ■ Reforming the capacitors

The capacitors must be reformed if the drive has not been powered (either in storage or unused) for a year or more. See section *Type designation label* on page 38 for how to find out the manufacturing date from the serial number.

For information on reforming the capacitors, see *Converter module capacitor reforming instructions* (3BFE64059629 [English]), available on the Internet (go to <http://www.abb.com> and enter the document code in the Search field).

---

## Control panel

### ■ Cleaning the control panel

Use a soft damp cloth to clean the control panel. Avoid harsh cleaners which could scratch the display window.

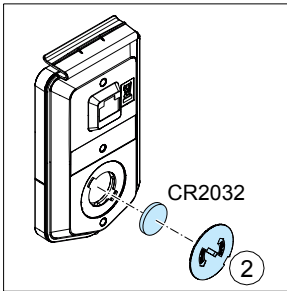
### ■ Replacing the battery in the control panel

A battery is used in all control panels, except the basic control panel that does not support the clock function, to keep the clock operating in memory during power interruptions.

The expected life for the battery is greater than ten years.

**Note:** The battery is NOT required for any control panel or drive functions, except the clock.

1. Remove the control panel from the drive. See section [Control panel](#) on page 37.
2. To remove the battery, use a coin to rotate the battery cover on the back of the control panel.
3. Replace the battery with type CR2032. Dispose the old battery according to local disposal rules or applicable laws.



## LEDs

### ■ Drive LEDs

There is a green POWER and a red FAULT LED on the front of the drive. They are visible through the panel cover but invisible if a control panel is attached to the drive. The table below describes the drive LED indications.

<b>Drive LEDs POWER and FAULT, on the front of the drive, under the control panel / panel cover</b>				
If a control panel is attached to the drive, switch to remote control (otherwise a fault will be generated), and then remove the panel to be able to see the LEDs				
<b>LEDs off</b>	<b>LED lit and steady</b>		<b>LED blinking</b>	
No power	Green (POWER)	Power supply on the board OK	Green (POWER)	<u>Blinking:</u> Drive in an alarm state <u>Blinking for one second:</u> Drive selected on the control panel when multiple drives are connected to the same panel bus.
	Red (FAULT)	Active fault in the drive. To reset the fault, press RESET from the control panel or switch off the drive power.	Red (FAULT)	Active fault in the drive. To reset the fault, switch off the drive power.

## ■ Control panel LEDs

The assistant control panel has one LED. The table below describes the control panel LED indications. For more information see *ACS-AP-x assistant control panels user's manual* (3AUA0000085685 [English]).

Control panel LED, at the left edge of the control panel			
LED off	LED lit and steady		LED blinking/flickering
Panel has no power	Green	Drive functioning normally. Connection between the drive and control panel may be faulty or lost, or the panel and drive may be incompatible. Check the control panel display.	Green <u>Blinking:</u> Active warning in the drive <u>Flickering:</u> Data transferred between the PC tool and drive through the USB connection of the control panel
	Red	Check the display to see where the fault is. <ul style="list-style-type: none"> <li>• Active fault in the drive. Reset the fault.</li> <li>• Active fault in another drive in the panel bus. Switch to the drive in question and check and reset the fault.</li> </ul>	Red Active fault in the drive. To reset the fault, cycle the drive power.
			Blue Panels with a Bluetooth interface only. <u>Blinking:</u> Bluetooth interface is enabled. It is in discoverable mode and ready for pairing. <u>Flickering:</u> Data is transferred through the Bluetooth interface of the control panel.





# Technical data

---

## Contents of this chapter

The chapter contains the technical specifications of the drive, for example ratings, sizes and technical requirements as well as provisions for fulfilling the requirements for CE, UL and other approval marks.

## Ratings

### IEC ratings

Type ACS580 -01-	Input rating	Max. current	Output ratings						Max. losses	Frame size
			Nominal use		Light-duty use		Heavy-duty use			
			$I_1$	$I_{max}$	$I_N$	$P_N$	$I_{Ld}$	$P_{Ld}$		
A	A	A	kW	A	kW	A	kW	W		
<b>3-phase <math>U_N = 400\text{ V}</math> (380...415 V)</b>										
02A7-4	2.6	3.2	2.6	0.75	2.5	0.75	1.8	0.55	45	R1
03A4-4	3.3	4.7	3.3	1.1	3.1	1.1	2.6	0.75	55	R1
04A1-4	4.0	5.9	4.0	1.5	3.8	1.5	3.3	1.1	66	R1
05A7-4	5.6	7.2	5.6	2.2	5.3	2.2	4.0	1.5	84	R1
07A3-4	7.2	10.1	7.2	3.0	6.8	3.0	5.6	2.2	106	R1
09A5-4	9.4	13.0	9.4	4.0	8.9	4.0	7.2	3.0	133	R1
12A7-4	12.6	14.1	12.6	5.5	12.0	5.5	9.4	4.0	174	R1
018A-4	17.0	22.7	17.0	7.5	16.2	7.5	12.6	5.5	228	R2
026A-4	25.0	30.6	25.0	11.0	23.8	11.0	17.0	7.5	322	R2
033A-4	32.0	44.3	32.0	15.0	30.4	15.0	24.6	11.0	430	R3
039A-4	38.0	56.9	38.0	18.5	36.1	18.5	31.6	15.0	525	R3
046A-4	45.0	67.9	45.0	22.0	42.8	22.0	37.7	18.5	619	R3
062A-4	62	76	62	30	58	30	45	22	835	R4
073A-4	73	104	73	37	68	37	61	30	1024	R4
088A-4	88	122	88	45	83	45	72	37	1240	R5
106A-4	106	148	106	55	100	55	87	45	1510	R5
145A-4	145	178	145	75	138	75	105	55	1476	R6
169A-4	169	247	169	90	161	90	145	75	1976	R7
206A-4	206	287	206	110	196	110	169	90	2346	R7
246A-4	246	350	246	132	234	132	206	110	3336	R8
293A-4	293	418	293	160	278	160	246 <sup>1)</sup>	132	3936	R8
363A-4	363	498	363	200	345	200	293	160	4836	R9
430A-4	430	545	430	250	400	200	363 <sup>2)</sup>	200	6036	R9

3AXD00000586715.xls J

See definitions and notes on page [161](#).



## NEMA ratings

Type ACS580 -01-	Input rating	Max. current	Output ratings				Max. losses	Air flow	Frame size	North American type ACS580 -01-
			Nominal use		Heavy-duty use					
			$I_1$	$I_{max}$	$I_{LD}$	$P_{LD}$				
A	A	A	hp	A	hp	W	ft <sup>3</sup> /min			
<b>3-phase <math>U_N = 480</math> V (440...480 V)</b>										
02A7-4	2.1	2.9	2.1	1.0	1.6	0.75	45	20	R1	02A1-4
03A4-4	3.0	3.8	3.0	1.5	2.1	1.0	55	20	R1	03A0-4
04A1-4	3.4	5.4	3.4	2.0	3.0	1.5	66	20	R1	03A5-4
05A7-4	4.8	6.1	4.8	3.0	3.4	2.0	84	20	R1	04A8-4
07A3-4	6.0	7.2	6.0	3.0	4.0	3.0	106	29	R1	06A0-4
09A5-4	7.6	8.6	7.6	5.0	4.8	3.0	133	29	R1	07A6-4
12A7-4	11.0	11.4	11.0	7.5	7.5	5.0	174	29	R1	012A-4
018A-4	14.0	19.8	14.0	10.0	11.0	7.5	228	75	R2	014A-4
026A-4	21.0	25.2	21.0	14.0	15.0	10.0	322	75	R2	023A-4
033A-4	27.0	37.8	27.0	20.0	21.0	15.0	430	105	R3	027A-4
039A-4	34.0	48.6	34.0	25.0	27.0	20.0	525	105	R3	034A-4
046A-4	40.0	61.2	44.0	30.0	34.0	25.0	619	105	R3	044A-4
062A-4	52	76	52	40	40	30	835	79	R4	052A-4
073A-4	65	104	65	50	52	40	1024	79	R4	065A-4
088A-4	77	122	77	60	65	50	1240	82	R5	078A-4
106A-4	96	148	96	75	77	60	1510	82	R5	096A-4
145A-4	124	178	124	100	96	75	1476	256	R6	124A-4
169A-4	156	247	156	125	124	100	1976	265	R7	156A-4
206A-4	180	287	180	150	156	125	2346	265	R7	180A-4
246A-4	240	350	240	200	180	150	3336	324	R8	240A-4
293A-4	260	418	260	200	240 <sup>1)</sup>	150	3936	324	R8	260A-4
363A-4	361	542	361	300	302	250	4836	677	R9	361A-4
430A-4	414	542	414	350	361 <sup>2)</sup>	300	6036	677	R9	414A-4

3AXD00000586715.xls J

## Definitions

- $U_N$  Nominal voltage of the drive. For input voltage range, see section [Electrical power network specification](#) on page 183.
- $I_1$  Nominal input current (rms) at 40 °C (104 °F)
- $I_{max}$  Maximum output current. Available for two seconds at start.
- $I_N$  Nominal output current. Maximum continuous rms output current allowed (no overload). This is indicated in the type designation label as output current I2.
- $P_N$  Nominal power of the drive. Typical motor power (no overloading). The kilowatt ratings apply to most IEC 4-pole motors. The horsepower ratings apply to most NEMA 4-pole motors.
- $I_{Ld}$  Maximum current with 110% overload, allowed for one minute every ten minutes
- $P_{Ld}$  Typical motor power in light-duty use (110% overload)

$I_{Hd}$	Maximum current with 150% overload, allowed for one minute every ten minutes 1) Maximum current with 130% overload, allowed for one minute every ten minutes 2) Maximum current with 125% overload, allowed for one minute every ten minutes
$P_{Hd}$	Typical motor power in heavy-duty use (150% overload)

## ■ Sizing

Drive sizing is based on the rated motor current and power. To achieve the rated motor power given in the table, the rated current of the drive must be higher than or equal to the rated motor current. Also the rated power of the drive must be higher than or equal to the rated motor power. The power ratings are the same regardless of the supply voltage within one voltage range.

**Note:** The ratings apply at ambient temperature of 40 °C (104 °F) for  $I_N$ . Above these temperatures derating is required.

**Note:** The DriveSize dimensioning PC tool available from ABB (<http://new.abb.com/drives/software-tools/drivesize>) is recommended for selecting the drive, motor and gear combination.

## Derating

The load capacity ( $I_N$ ,  $I_{Ld}$ ,  $I_{Hd}$ ; note that  $I_{max}$  is not derated) decreases in certain situations. In such situations, where full motor power is required, oversize the drive so that the derated value provides sufficient capacity.

**Note:** The DriveSize dimensioning PC tool available from ABB (<http://new.abb.com/drives/software-tools/drivesize>) is also suitable for derating.

**Note:** If several situations are present at a time, the effects of derating are cumulative.

### Example 1: How to calculate the derated current

The IP21 drive type is ACS580-01-062A-4, which has motor current 62 A. Calculate the derated motor current ( $I_N$ ) at 4kHz switching frequency, at 1500 m altitude and at 50 °C ambient temperature as follows:

*Switching frequency derating* (page 167):

No derating needed for 4 kHz.

*Altitude derating* (page 166):

The derating factor for 1500 m is  $1 - 1/10\,000\text{ m} \cdot (1500 - 1000)\text{ m} = 0.95$ .

The motor becomes  $I_N = 0,95 \cdot 62\text{ A} = 58.9\text{ A}$ .

*Ambient temperature derating, IP21 (UL Type 1)* (page 164):

The derating factor for 50 °C ambient temperature = 0.90.

The derated motor current becomes then  $I_N = 0,90 \cdot 58.9\text{ A} = 53.01\text{ A}$ .

### Example 2: How to calculate the required drive

If your application requires continuous 12.0 A of motor current ( $I_N$ ) at 8 kHz switching frequency, the supply voltage is 400 V and the drive is situated at 1500 m altitude and at 35 °C ambient temperature, calculate the appropriate IP21 drive size requirement as follows:

*Switching frequency derating* (page 167):

The minimum size required is  $I_N = 12.0\text{ A} / 0.65 = 18.46\text{ A}$ ,

where 0.65 is the derating for 8 kHz switching frequency (frames R2...R3).

*Altitude derating* (page 166):

The derating factor for 1500 m is  $1 - 1/10\,000\text{ m} \cdot (1500 - 1000)\text{ m} = 0.95$ .

The minimum size required becomes then  $I_N = 18.46\text{ A} / 0.95 = 19.43\text{ A}$ .

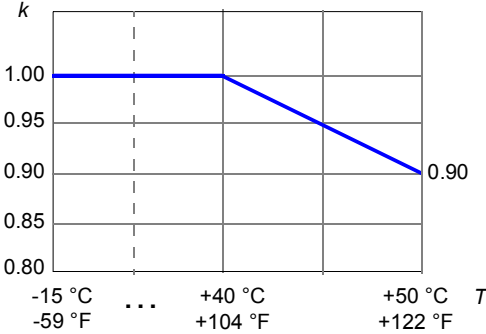
*Ambient temperature derating, IP21 (UL Type 1)* (page 164):

No derating needed for 35 °C ambient temperature.

Referring to  $I_N$  in the ratings tables (starting from page 160), drive type ACS580-01-026A-4 exceeds the  $I_N$  requirement of 19.43 A.

**Ambient temperature derating, IP21 (UL Type 1)**

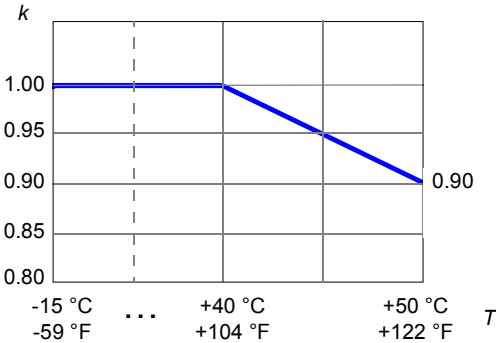
In the temperature range +40...50 °C (+104...122 °F), the rated output current is derated by 1% for every added 1 °C (1.8 °F). The output current can be calculated by multiplying the current given in the rating table by the derating factor (k, in the diagram below).



**Ambient temperature derating, IP55 (UL Type 12)**

**IP55 (UL Type 12) drive types, other than the exceptions below**

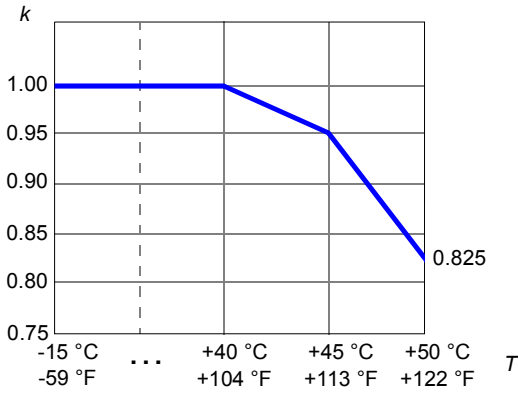
In the temperature range +40...50 °C (+104...122 °F), the rated output current is derated by 1% for every added 1 °C (1.8 °F). The output current can be calculated by multiplying the current given in the rating table by the derating factor (k):



**IP55 (UL Type 12) drive type -293A-4 and -260A-4**

In the temperature range +40...45 °C (+104...113 °F), the rated output current is derated by 1% for every added 1 °C (1.8 °F). In the temperature range +45...50 °C (+113...122 °F), the rated output current is derated by 2.5% for every added 1 °C

(1.8 °F). The output current can be calculated by multiplying the current given in the rating table by the derating factor (k):



### Altitude derating

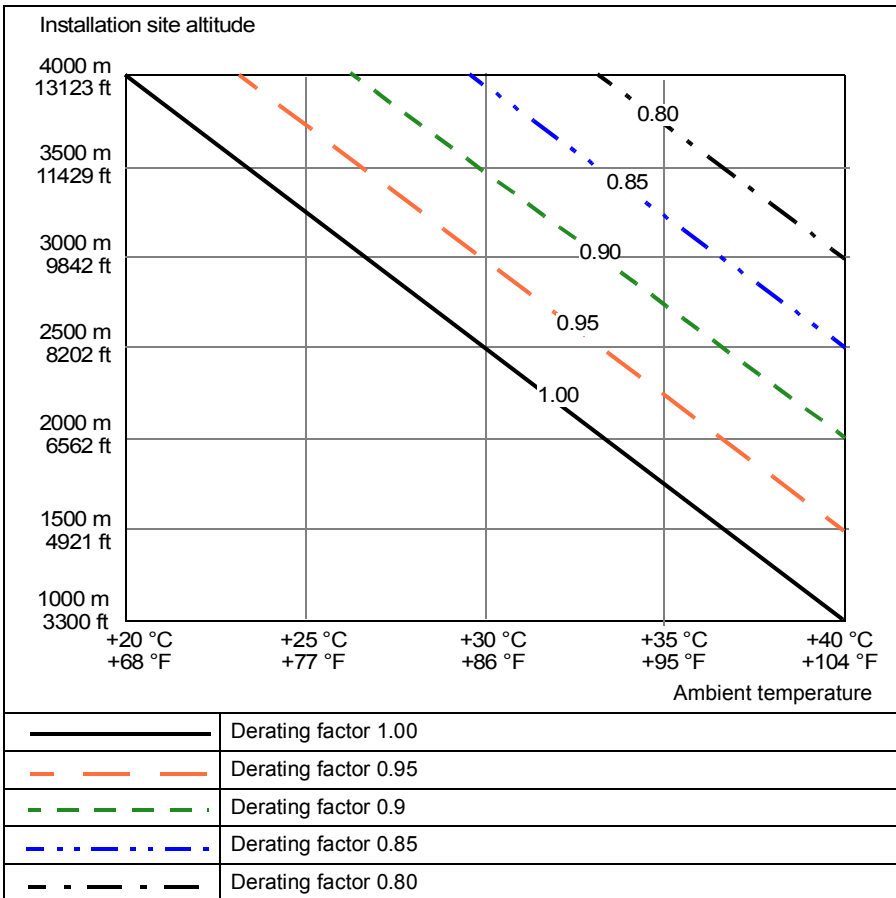
In altitudes 1000...4000 m (3300...13120 ft) above sea level, the derating is 1% for every 100 m (330 ft).

The output current is calculated by multiplying the current given in the rating table by the derating factor k, which for x meters (1000 m ≤ x ≤ 4000 m) is:

$$k = 1 - \frac{1}{10\,000\text{ m}} \cdot (x - 1000)\text{ m}$$

### Altitude and ambient temperature

If ambient temperature is below 40 °C (+104 °F), the derating can be reduced by 1.5% for every 1 °C (1.8 °F) reduction in temperature. A few altitude derating curves are shown below. For a more accurate derating, use the DriveSize dimensioning PC tool.



The altitude derating can be reduced if the temperature is below +40 °C, for example, if the temperature is 30 °C, the derating factor is  $1 - 1.5\% \cdot 10 = 0.85$ . You can reduce the output current by 35% instead of 40% at 4000 meter above the sea level.

**Note:** Check the supply network compatibility restrictions above 2000 m (6562 ft), see [Installation site altitude](#) on page 192. Check also PELV limitation on relay output terminals above 2000 m (6562 ft), see sections [Isolation areas, R1...R5](#) on page 188 and [Isolation areas, R6...R9](#) on page 189.

### ■ Switching frequency derating

The output current is calculated by multiplying the current given in the rating table by the derating factor given in the table below.

**Note:** If you change the minimum switching frequency with parameter 97.02 Minimum switching frequency, derate according to the table below. Changing parameter 97.01 Switching frequency reference does not require derating.

Frame size	Type ACS580 -01-	Derating factor (k) for the minimum switching frequencies				
		1 kHz	2 kHz	4kHz	8 kHz	12 kHz
R1	02A1-4...12A7-4	1	1	1	0.67	0.5
R2	014A-4...026A-4	1	1	1	0.65	0.48
R3	027A-4...046A-4	1	1	1	0.65	0.48
R4	052A-4...062A-4	1	1	1	0.82	0.64
R4	065A-4...073A-4	1	1	1	0.73	0.55
R5	078A-4...106A-4	1	1	1	0.71	0.57
R6	124A-4...145A-4	1	0.97	0.84	0.66	0.52
R7	156A-4...206A-4	1	0.98	0.89	0.71	0.53
R8	240A-4...293A-4	1	0.96	0.82	0.61	0.45
R9	361A-4...430A-4	1	0.95	0.79	0.58	0.43

3AXD00000586715.xls J

## Fuses (IEC)

gG as well as uR or aR fuses for protection against short-circuit in the input power cable or drive are listed below. Either fuse type can be used for frames R1...R9 if it operates rapidly enough. The operating time depends on the supply network impedance and the cross-sectional area and length of the supply cable.

**Note 1:** See also [Implementing thermal overload and short-circuit protection](#) on page 80.

**Note 2:** Fuses with higher current rating than the recommended ones must not be used.

**Note 3:** Fuses from other manufacturers can be used if they meet the ratings and the melting curve of the fuse does not exceed the melting curve of the fuse mentioned in the table.

---



■ gG fuses

Check on the fuse time-current curve to ensure the operating time of the fuse is below 0.5 seconds. Obey the local regulations.

Type ACS580 -01-	Min. short- circuit current <sup>1)</sup>	Input current	gG (IEC 60269)					North American type ACS580 -01-
			Nominal current	$I^2t$	Voltage rating	ABB type	IEC 60269 size	
			A	A <sup>2</sup> s	V			
<b>3-phase <math>U_N = 400</math> or <math>480</math> V (380...415 V, 440...480 V)</b>								
02A7-4	32	2.6	4	55	500	OFAF000H4	000	02A1-4
03A4-4	48	3.3	6	110	500	OFAF000H6	000	03A0-4
04A1-4	48	4.0	6	110	500	OFAF000H6	000	03A5-4
05A7-4	80	5.6	10	360	500	OFAF000H10	000	04A8-4
07A3-4	80	7.2	10	360	500	OFAF000H10	000	06A0-4
09A5-4	128	9.4	16	740	500	OFAF000H16	000	07A6-4
12A7-4	128	12.6	16	740	500	OFAF000H16	000	012A-4
018A-4	200	17.0	25	2500	500	OFAF000H25	000	014A-4
026A-4	256	25.0	32	4000	500	OFAF000H32	000	023A-4
033A-4	320	32.0	40	7700	500	OFAF000H40	000	027A-4
039A-4	400	38.0	50	16000	500	OFAF000H50	000	034A-4
046A-4	500	45.0	63	20100	500	OFAF000H63	000	044A-4
062A-4	800	62	80	37500	500	OFAF000H80	000	052A-4
073A-4	1000	73	100	65000	500	OFAF000H100	000	065A-4
088A-4	1000	88	100	65000	500	OFAF000H100	000	078A-4
106A-4	1300	106	125	103000	500	OFAF00H125	00	096A-4
145A-4	1700	145	160	185000	500	OFAF00H160	00	124A-4
169A-4	3300	169	250	600000	500	OFAF0H250	0	156A-4
206A-4	5500	206	315	710000	500	OFAF1H315	1	180A-4
246A-4	6400	246	355	920000	500	OFAF1H355	1	240A-4
293A-4	7800	293	425	1300000	500	OFAF2H425	2	260A-4
363A-4	9400	363	500	2000000	500	OFAF2H500	2	361A-4
430A-4	10200	430	630	2800000	500	OFAF3H630	3	414A-4

3AXD00000586715.xls J

<sup>1)</sup> Minimum short-circuit current of the installation

## ■ uR and aR fuses

Type ACS580 -01-	Min. short- circuit current <sup>1)</sup>	Input current	uR or aR				
			Nominal current	$I_t^2$	Voltage rating	Bussmann type	IEC 60269 size
			A	A <sup>2</sup> s	V		
<b>3-phase <math>U_N = 400</math> or <math>480</math> V (380...415 V, 440...480 V)</b>							
02A7-4	65	2.6	25	130	690	170M1561	000
03A4-4	65	3.3	25	130	690	170M1561	000
04A1-4	65	4.0	25	130	690	170M1561	000
05A7-4	65	5.6	25	130	690	170M1561	000
07A3-4	65	7.2	25	130	690	170M1561	000
09A5-4	65	9.4	25	130	690	170M1561	000
12A7-4	65	12.6	25	130	690	170M1561	000
018A-4	120	17.0	40	460	690	170M1563	000
026A-4	120	25.0	40	460	690	170M1563	000
033A-4	170	32.0	63	1450	690	170M1565	000
039A-4	170	38.0	63	1450	690	170M1565	000
046A-4	280	45.0	80	2550	690	170M1566	000
062A-4	380	62	100	4650	690	170M1567	000
073A-4	480	73	125	8500	690	170M1568	000
088A-4	480	88	160	16000	690	170M1569	000
106A-4	700	106	200	15000	690	170M3815	1
145A-4	700	145	250	28500	690	170M3816	1
169A-4	1280	169	315	46500	690	170M3817	1
206A-4	1520	206	350	68500	690	170M3818	1
246A-4	2050	246	450	105000	690	170M5809	2
293A-4	2200	293	500	145000	690	170M5810	2
363A-4	3100	363	630	275000	690	170M5812	2
430A-4	3600	430	700	405000	690	170M5813	2

3AXD00000586715.xls J

1) Minimum short-circuit current of the installation

## Fuses (UL)

UL class T fuses for branch circuit protection per NEC are listed below. Fast acting class T or faster fuses are recommended in the USA. **Check on the fuse time-current curve to ensure the operating time of the fuse is below 0.5 seconds. Obey the local regulations.**

**Note 1:** See also [Implementing thermal overload and short-circuit protection](#) on page 80.

**Note 2:** Fuses with higher current rating than the recommended ones must not be used.

**Note 3:** Fuses from other manufacturers can be used if they meet the ratings and the melting curve of the fuse does not exceed the melting curve of the fuse mentioned in the table.)

Type ACS580 -01-	Input current	UL				North American type ACS580 -01-
		Nominal current	Voltage rating	Bussmann type	UL class	
	A	A	V			
<b>3-phase <math>U_N = 480</math> V (440...480 V)</b>						
02A7-4	2.6	15	600	JJS-15	T	02A1-4
03A4-4	3.3	15	600	JJS-15	T	03A0-4
04A1-4	4.0	15	600	JJS-15	T	03A5-4
05A7-4	5.6	15	600	JJS-15	T	04A8-4
07A3-4	7.2	15	600	JJS-15	T	06A0-4
09A5-4	9.4	15	600	JJS-15	T	07A6-4
12A7-4	12.6	15	600	JJS-15	T	012A-4
018A-4	17.0	30	600	JJS-30	T	014A-4
026A-4	25.0	30	600	JJS-30	T	023A-4
033A-4	32.0	40	600	JJS-40	T	027A-4
039A-4	38.0	60	600	JJS-60	T	034A-4
046A-4	45.0	60	600	JJS-60	T	044A-4
062A-4	62	80	600	JJS-80	T	052A-4
073A-4	73	90	600	JJS-90	T	065A-4
088A-4	88	110	600	JJS-110	T	078A-4
106A-4	106	150	600	JJS-150	T	096A-4
145A-4	145	200	600	JJS-200	T	124A-4
169A-4	169	225	600	JJS-225	T	156A-4
206A-4	206	300	600	JJS-300	T	180A-4
246A-4	246	350	600	JJS-350	T	240A-4
293A-4	293	400	600	JJS-400	T	260A-4
363A-4	363	500	600	JJS-500	T	361A-4
430A-4	430	600	600	JJS-600	T	414A-4

## Circuit breakers

The table below lists MCB and MCCB circuit breakers that can be used with the drive. Not allowed for US installation.

Type ACS580 -01-	MCBs and MCCBs					
	ABB type	Max. short- circuit	Tmax frame XT / T class	Tmax rating	Electronic release	SACE ordering code for breaker and release unit
		$I_{sc}$ kA				
<b>3-phase <math>U_N = 400</math> or <math>480</math> V (380...415 V, 440...480 V)</b>						
02A7-4	S 203P-B/C/Z 10	20	N/A	N/A	N/A	N/A
03A4-4	S 203P-B/C/Z 10	20	N/A	N/A	N/A	N/A
04A1-4	S 203P-B/C/Z 10	20	N/A	N/A	N/A	N/A
05A7-4	S 203P-B/C/Z 10	20	N/A	N/A	N/A	N/A
07A3-4	S 203P-B/C/Z 10	20	N/A	N/A	N/A	N/A
09A5-4	S 203P-B/C/Z 10	20	N/A	N/A	N/A	N/A
12A7-4	S 203P-B/C/Z 16	20	N/A	N/A	N/A	N/A
018A-4	S 203P-B/C/Z 20	20	N/A	N/A	N/A	N/A
026A-4	S 203P-B/C/Z 25	20	N/A	N/A	N/A	N/A
033A-4	S 203P-B/C/Z 32	12	N/A	N/A	N/A	N/A
039A-4	S 203P-B/C/Z 40	12	N/A	N/A	N/A	N/A
046A-4	S 203P-B/C/Z 50	12	N/A	N/A	N/A	N/A
062A-4	S 803S-B/C 80	50	N/A	N/A	N/A	N/A
073A-4	S 803S-B/C 80	50	N/A	N/A	N/A	N/A
088A-4	S 803S-B/C 100	50	N/A	N/A	N/A	N/A
106A-4	S 803S-B/C 125	50	N/A	N/A	N/A	N/A
145A-4	XT4 L 250 Ekip LS/I In=250 3p F F	65	XT4	250	250	1SDA068555R1
169A-4	XT4 L 250 Ekip LS/I In=250 3p F F	65	XT4	250	250	1SDA068555R1
206A-4	T4 L 320 PR221DS- LS/I In=320 3p F F	65	T4	320	320	1SDA054141R1
246A-4	T5 L 400 PR221DS- LS/I In=400 3p F F	65	T5	400	400	1SDA054365R1
293A-4	T5 L 630 PR221DS- LS/I In=630 3p F F	65	T5	630	630	1SDA054420R1
363A-4	T5 L 630 PR221DS- LS/I In=630 3p F F	65	T5	630	630	1SDA054420R1
430A-4	T5 L 630 PR221DS- LS/I In=630 3p F F	65	T5	630	630	1SDA054420R1

3AXD00000586715.xls J

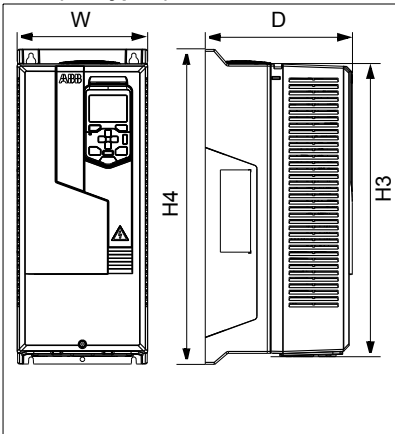
## Dimensions, weights and free space requirements

Frame size	Dimensions and weights							Dimensions and weights							
	IP21							UL Type 1							
	H1	H2	H3	H4	W	D	Weight	H1	H2	H3	H4	W	D	Weight	
	mm	mm	mm	mm	mm	mm	kg	in	in	in	in	in	in	in	lb
R1	332	301	355	332	125	223	4.8	13.08	11.85	13.96	13.08	4.92	8.78	10.59	
R2	432	395	449	432	125	229	6.5	17.02	15.55	17.67	17.02	4.92	9.00	14.33	
R3	-*)	-*)	454	490	203	229	11.8	-*)	-*)	17.87	19.29	7.99	9.02	26.02	
R4	-*)	-*)	600	636	203	257	19.0	-*)	-*)	23.62	25.04	7.99	10.12	41.90	
R5	596	596	732	633	203	295	28.3	23.46	23.46	28.82	24.90	7.99	11.61	62.40	
R6	548	549	727	589	252	369	42.4	21.57	21.63	28.62	23.20	9.92	14.53	93.49	
R7	600	601	880	641	284	370	54	23.62	23.67	34.65	25.25	11.18	14.57	119.07	
R8	680	677	965	721	300	393	69	26.77	23.67	37.99	28.39	11.81	15.47	152.15	
R9	680	680	955	741	380	418	97	26.77	26.77	37.60	29.19	14.96	16.46	213.89	

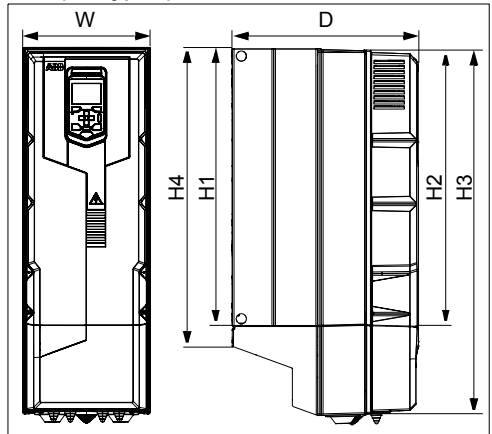
3AXD00000586715.xls J

\*) Frames with an integrated cable/conduit box

IP21 (UL Type 1), R3...R4



IP21 (UL Type 1), R1...R2, R5...R9



### Symbols

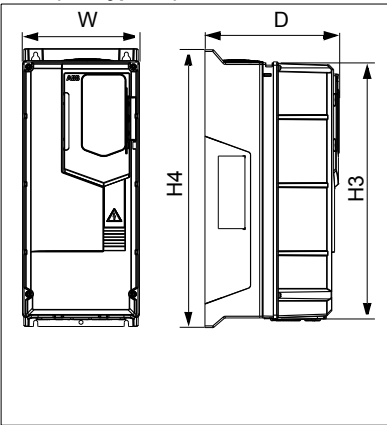
#### IP21 / UL Type 1

- H1** R1...R2, R5...R9: Height back without cable/conduit box
- H2** R1...R2, R5...R9: Height front without cable/conduit box
- H3** R3...R4: Height front, R1...R2, R5...R9: Height front with cable/conduit box
- H4** R3...R4: Height back, R1...R2, R5...R9: Height back with cable/conduit box
- W** Width
- D** Depth

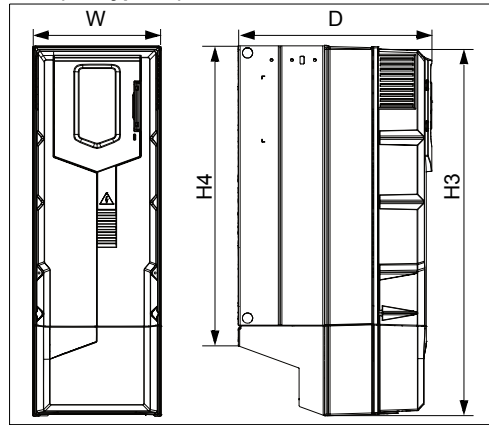
Frame size	Dimensions and weights											
	IP55					UL Type 12						
	H3 mm	H4 mm	W mm	D mm	Weight kg	H3 in	H4 in	W in	D in	Weight lb	HH in	HW in
R1	387	332	125	233	5.1	15.23	13.08	4.92	9.17	11.25	2.56	5.09
R2	481	432	125	239	6.7	18.93	17.02	4.92	9.41	14.80	2.56	5.10
R3	456	490	203	237	13.0	17.94	19.29	7.99	9.33	28.67	2.52	8.16
R4	600	636	203	265	20	23.62	25.04	7.99	10.43	44.10	2.83	8.59
R5	732	633	203	320	29	28.62	24.90	7.99	12.60	63.95	3.15	8.58
R6	726	589	252	380	43	28.58	23.20	9.92	14.96	94.82	6.10	11.46
R7	880	641	284	381	56	34.65	25.25	11.18	15.00	123.48	6.10	13.00
R8	965	721	300	452	77	37.99	28.39	11.81	17.80	169.79	6.10	13.80
R9	955	741	380	477	103	37.60	29.19	14.96	18.78	227.12	9.06	16.95

3AXD0000586715.xls J

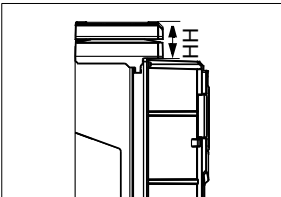
IP55 (UL Type 12), R3...R4



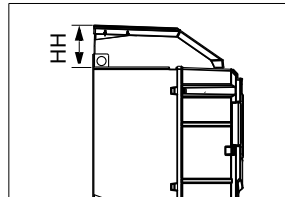
IP55 (UL Type 12), R1...R2, R5...R9



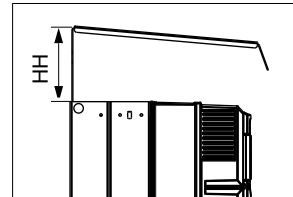
UL Type 12, R1...R3



UL Type 12, R4...R5



UL Type 12, R6...R9



**Symbols**

**IP55 / UL Type 12**

**H3** R3...R4: Height front, R1...R2 and R5...R9: Height front with cable/conduit box

**H4** R3...R4: Height back, R1...R2 and R5...R9: Height back with cable/conduit box

**W** Width

**D** Depth

**HH** Hood height

**HW** Hood width

Frame size	Free space, IP21 (UL Type 1) and IP55 (UL Type 12)											
	Vertical mounting stand alone						Vertical mounting side by side					
	Above		Below		Beside		Above		Below		Between	
	mm	in	mm	in	mm	in	mm	in	mm	in	mm	in
R1	200	7.87	30	1.18	150	5.91	200	7.87	300	7.87	0	0
R2	200	7.87	30	1.18	150	5.91	200	7.87	300	7.87	0	0
R3	200	7.87	200	7.87	200	7.87	200	7.87	200	7.87	0	0
R4	53	2.09	200	7.87	150	5.91	200	7.87	200	7.87	0	0
R5	100	3.94	200	7.87	150	5.91	200	7.87	200	7.87	0	0
R6	155	6.10	300	11.8	150	5.91	200	7.87	300	11.8	0	0
R7	155	6.10	300	11.8	150	5.91	200	7.87	300	11.8	0	0
R8	155	6.10	300	11.8	150	5.91	200	7.87	300	11.8	0	0
R9	200	7.87	300	11.8	150	5.91	200	7.87	300	11.8	0	0

3AXD00000586715.xls J

Frame size	Free space, IP21 (UL Type 1) and IP55 (UL Type 12)					
	Horizontal mounting					
	Above <sup>1)</sup>		Below <sup>1)</sup>		Between <sup>1)</sup>	
	mm	in	mm	in	mm	in
R1	200	7.87	30	1.18	30/200	1.18/7.87
R2	200	7.87	30	1.18	30/200	1.18/7.87
R3	200	7.87	30	1.18	30/200	1.18/7.87

3AXD00000586715.xls J

<sup>1)</sup> For definition, see the figure on page 45.

See the figures in section [Checking the installation site](#) on page 44.

## Losses, cooling data and noise

The air flow direction is from bottom to top.

### ■ Cooling air flow, heat dissipation and noise for stand-alone drives

The table below specifies the heat dissipation in the main circuit at nominal load and in the control circuit with minimum load (I/O, options and panel not in use) and maximum load (all digital inputs and relays in the ON state, and the panel, fieldbus and fan in use). The total heat dissipation is the sum of the heat dissipation in the main and control circuits. Use the maximum heat dissipation when designing cabinet or electrical room cooling needs.

Type ACS580 -01-	Heat dissipation				Air flow		Noise	Frame size
	Main circuit at rated $I_N$ at $I_N$	Control circuit minimum	Control circuit maximum	Main and control boards maximum	m <sup>3</sup> /h	ft <sup>3</sup> /min		
	W	W	W	W			dB(A)	
<b>3-phase <math>U_N = 400</math> or <math>480</math> V (380...415 V, 440...480 V)</b>								
02A7-4	20	3.5	25	45	34	20	55	R1
03A4-4	30	3.5	25	55	34	20	55	R1
04A1-4	41	3.5	25	66	34	20	55	R1
05A7-4	59	3.5	25	84	34	20	55	R1
07A3-4	81	3.5	25	106	50	29	55	R1
09A5-4	108	3.5	25	133	50	29	55	R1
12A7-4	149	3.5	25	174	50	29	55	R1
018A-4	203	3.5	25	228	128	75	66	R2
026A-4	297	3.5	25	322	128	75	66	R2
033A-4	405	3.5	25	430	116	68	70	R3
039A-4	500	3.5	25	525	116	68	70	R3
046A-4	594	3.5	25	619	116	68	70	R3
062A-4	810	3.5	25	835	134	79	69	R4
073A-4	999	3.5	25	1024	134	79	69	R4
088A-4	1215	3.5	25	1240	139	82	63	R5
106A-4	1485	3.5	25	1510	139	82	63	R5
145A-4	1440	4.1	36	1476	435	256	67	R6
169A-4	1940	4.1	36	1976	450	265	67	R7
206A-4	2310	4.1	36	2346	450	265	67	R7
246A-4	3300	4.1	36	3336	550	324	65	R8
293A-4	3900	4.1	36	3936	550	324	65	R8
363A-4	4800	4.1	36	4836	1150	677	68	R9
430A-4	6000	4.1	36	6036	1150	677	68	R9

3AXD00000586715.xls J



■ Cooling air flow and heat dissipation for flange mounting (option +C135)

Type ACS580 -01-	Heat dissipation (option +135)		Air flow (option +135)				Frame size
	Heatsink	Front	Heatsink		Front		
	W	W	m <sup>3</sup> /h	ft <sup>3</sup> /min	m <sup>3</sup> /h	ft <sup>3</sup> /min	
<b>3-phase <math>U_N = 400</math> or <math>480</math> V (380...415 V, 440...480 V)</b>							
145A-4	1251	189	435	256	52	31	R6
169A-4	1701	239	450	265	75	44	R7
206A-4	2034	276	450	265	75	44	R7
246A-4	2925	375	550	324	120	71	R8
293A-4	3465	435	550	324	120	71	R8
363A-4	4275	525	1150	677	170	100	R9
430A-4	5355	645	1150	677	170	100	R9

3AXD00000586715.xls J

## Terminal and lead-through data for the power cables

### ■ IEC

Input, motor, resistor and DC cable lead-throughs, maximum wire sizes (per phase) and terminal screw sizes and tightening torques ( $T$ ) are given below.

Frame size	Cable lead-throughs		L1, L2, L3, T1/U, T2/V, T3/W terminals			Grounding terminals	
	Per cable type	$\varnothing^1$	Min wire size (solid/stranded) <sup>3)</sup>	Max wire size (solid/stranded)	$T$	Max wire size	$T$
	pcs	mm	mm <sup>2</sup>	mm <sup>2</sup>	N·m	mm <sup>2</sup>	N·m
R1	1	30	0.20/0.25	6/4	1.2...1.5	16/16	1.5
R2	1	30	0.5/0.5	16/16	1.2...1.5	16/16	1.5
R3	1	30	0.5/0.5	35/25	2.5...4.5	35/35	1.5
R4	1	45	0.5/0.5	50	4.0	35/35	1.5
R5	1	45	6	70	5.6	- <sup>2)</sup>	1.5
R6	1	45	25	150	30	- <sup>2)</sup>	1.5
R7	1	54	95	240	40	- <sup>2)</sup>	1.5
R8	2	45	2×50	2×150	40	- <sup>2)</sup>	1.5
R9	2	54	2×95	2×240	70	- <sup>2)</sup>	1.5

3AXD00000586715.xls J

<sup>1)</sup> Maximum cable diameter accepted. For the lead-through plate hole diameters, see chapter *Dimension drawings* on page 203.

<sup>2)</sup> Either cable lug (R5, see page 109) or clamp (R6...R9, see page 113) is used for grounding.

<sup>3)</sup> **Note:** Minimum wire size does not necessarily have enough current capability for full load. Make sure the installation complies with local laws and regulations.

**Note:** For the tightening torques of the grounding terminals, see sections *Connection procedure, frames R1...R4* on page 97, *Connection procedure, frame R5* on page 105 and *Connection procedure, frames R6...R9* on page 111.

Frame size	Cable lead-throughs		R+, R-, UDC+ and UDC- terminals			
	Per cable type	Ø <sup>1)</sup>	Min wire size (solid/stranded) <sup>3)</sup>	Max wire size (solid/stranded)	T (Wire screw)	
		pcs			mm	mm <sup>2</sup>
R1	1	23	0.20/0.25	6/4	<sup>2)</sup>	1.2...1.5
R2	1	23	0.5/0.5	16/16	<sup>2)</sup>	1.2...1.5
R3	1	23	0.5/0.5	35/25	<sup>2)</sup>	2.5...4.5
R4	1	39	0.5/0.5	50	<sup>2)</sup>	4.0
R5	1	39	6	70	M5	5.6
R6	1	45	25	150	M8	30
R7	1	54	95	240	M10	30
R8	2	45	2×50	2×150	M10	40
R9	2	54	2×95	2×240	M12	70

3AXD00000586715.xls J

<sup>1)</sup> Maximum cable diameter accepted. For the lead-through plate hole diameters, see chapter [Dimension drawings](#) on page 203.

<sup>2)</sup> See the table below.

<sup>3)</sup> **Note:** Minimum wire size does not necessarily have enough current capability for full load. Make sure the installation complies with local laws and regulations.

Frame size	Screwdrivers for the terminals of the main circuit
R1	Combo: Slot 4 mm and PH1
R2	Combo: Slot 4.5 mm and PH2
R3, R4	PH2

3AXD00000586715.xls J

## ■ US

Input, motor, resistor and DC cable lead-throughs, maximum wire sizes (per phase) and terminal screw sizes and tightening torques ( $T$ ) are given below.

Frame size	Cable lead-throughs		L1, L2, L3, T1/U, T2/V, T3/W terminals			Grounding terminals	
	Per cable type	$\varnothing$ <sup>1)</sup>	Min wire size 1.1 (sol/jd/stranded) <sup>3)</sup>	Max wire size (solid/stranded)	$T$	Max wire size	$T$
	pcs	in	AWG	AWG	lbf·ft	AWG	lbf·ft
R1	1	1.18	24	10	0.4	6/6	1.1
R2	1	1.18	20	6	1.1	6/6	1.1
R3	1	1.18	20	2	3.3	2/2	1.1
R4	1	1.77	20	1	3.0	2/2	1.1
R5	1	1.77	10	2/10	4.1	- <sup>2)</sup>	1.1
R6	1	1.77	4	300 MCM	22.1	- <sup>2)</sup>	1.1
R7	1	2.13	3/0	500 MCM	29.5	- <sup>2)</sup>	1.1
R8	2	1.77	2×1/0	2×300 MCM	29.6	- <sup>2)</sup>	1.1
R9	2	2.13	2×3/0	2×500 MCM	51.6	- <sup>2)</sup>	1.1

3AXD00000586715.xls J

<sup>1)</sup> Maximum cable diameter accepted. For the lead-through plate hole diameters, see chapter *Dimension drawings* on page 203.

<sup>2)</sup> Either cable lug (R5, see page 109) or cable clamp (R6...R9, see page 113) is used for grounding.

<sup>3)</sup> **Note:** Minimum wire size does not necessarily have enough current capability for full load. Make sure the installation complies with local laws and regulations.

**Note:** For the tightening torques of the grounding terminals, see sections *Connection procedure, frames R1...R4* on page 97, *Connection procedure, frame R5* on page 105 and *Connection procedure, frames R6...R9* on page 111.

Frame size	Cable lead-throughs		R+, R-, UDC+ and UDC- terminals			
	Per cable type	Ø <sup>1)</sup> in	Min wire size (solid/stranded) <sup>3)</sup> AWG	Max wire size (solid/stranded) AWG	T (Wire screw)	
					M...	lbf-ft
R1	1	0.906	24	10	<sup>2)</sup>	0.4
R2	1	0.906	20	6	<sup>2)</sup>	1.1
R3	1	0.906	20	2	<sup>2)</sup>	3.3
R4	1	1.54	50	1	<sup>2)</sup>	3.0
R5	1	1.54	10	2/10	M5	4.1
R6	1	1.77	4	300 MCM	M8	22.1
R7	1	2.13	3/10	500 MCM	M10	29.5
R8	2	1.77	2×1/0	2×300 MCM	M10	29.5
R9	2	2.13	2×3/0	2×500 MCM	M12	51.6

3AXD00000586715.xls J

<sup>1)</sup> Maximum cable diameter accepted. For the lead-through plate hole diameters, see chapter [Dimension drawings](#) on page 203.

<sup>2)</sup> See the table below.

<sup>3)</sup> **Note:** Minimum wire size does not necessarily have enough current capability for full load. Make sure the installation complies with local laws and regulations.

Frame size	Screwdrivers for the terminals of the main circuit
R1	Combo: Slot 4 mm and PH1
R2	Combo: Slot 4.5 mm and PH2
R3, R4	PH2

3AXD00000586715.xls J

## Terminal and lead-through data for the control cables

### IEC

Control cable lead-throughs, wire sizes and tightening torques ( $T$ ) are given below.

Frame size	Cable lead-throughs		Control cable entries and terminal sizes			
	Holes	Max cable size mm	+24V, DCOM, DGND, EXT. 24V terminals		DI, AI/O, AGND, RO, STO terminals	
	pcs		Wire size mm <sup>2</sup>	$T$ N·m	Wire size mm <sup>2</sup>	$T$ N·m
R1	3	17	0.2...2.5	0.5...0.6	0.14...1.5	0.5...0.6
R2	3	17	0.2...2.5	0.5...0.6	0.14...1.5	0.5...0.6
R3	3	17	0.2...2.5	0.5...0.6	0.14...1.5	0.5...0.6
R4	4	17	0.2...2.5	0.5...0.6	0.14...1.5	0.5...0.6
R5	3	17	0.2...2.5	0.5...0.6	0.14...1.5	0.5...0.6
R6	4	17	0.14...2.5	0.5...0.6	0.14...2.5	0.5...0.6
R7	4	17	0.14...2.5	0.5...0.6	0.14...2.5	0.5...0.6
R8	4	17	0.14...2.5	0.5...0.6	0.14...2.5	0.5...0.6
R9	4	17	0.14...2.5	0.5...0.6	0.14...2.5	0.5...0.6

3AXD00000586715.xls J

### US

Control cable lead-throughs, wire sizes and tightening torques ( $T$ ) are given below.

Frame size	Cable lead-throughs		Control cable entries and terminal sizes			
	Holes	Max cable size in	+24V, DCOM, DGND, EXT. 24V terminals		DI, AI/O, AGND, RO, STO terminals	
	pcs		Wire size AWG	$T$ lbf·ft	Wire size AWG	$T$ lbf·ft
R1	3	0.67	24...14	0.4	26...14	0.4
R2	3	0.67	24...14	0.4	26...14	0.4
R3	3	0.67	24...14	0.4	26...14	0.4
R4	4	0.67	24...14	0.4	26...14	0.4
R5	3	0.67	24...14	0.4	26...14	0.4
R6	4	0.67	26...14	0.4	26...14	0.4
R7	4	0.67	26...14	0.4	26...14	0.4
R8	4	0.67	26...14	0.4	26...14	0.4
R9	4	0.67	26...14	0.4	26...14	0.4

3AXD00000586715.xls J

## Electrical power network specification

---

<b>Voltage (<math>U_1</math>)</b>	Input voltage range 3~ 380...480 V AC. This is indicated in the type designation label as typical input voltage levels 3~ 400/480 V AC.
<b>Network type</b>	Public low voltage networks. TN (grounded), IT (ungrounded) and corner-grounded TN systems. See section <a href="#">Checking the compatibility with IT (ungrounded) and corner-grounded TN systems</a> on page 91. <b>Note:</b> Frames R4 and R5 cannot be used in corner-grounded TN systems.
<b>Rated conditional short-circuit current (IEC 61800-5-1)</b>	65 kA when protected by fuses given in the fuse tables
<b>Short-circuit current protection (UL 508C)</b>	US and Canada: The drive is suitable for use on a circuit capable of delivering not more than 100 kA symmetrical amperes (rms) at 480 V maximum when protected by fuses given in the fuse table.
<b>Frequency (<math>f_1</math>)</b>	47 to 63 Hz. This is indicated in the type designation label as typical input frequency level f1 (50/60 Hz).
<b>Imbalance</b>	Max. $\pm$ 3% of nominal phase to phase input voltage
<b>Fundamental power factor (<math>\cos \phi_1</math>)</b>	0.98 (at nominal load)

## Motor connection data

---

<b>Motor types</b>	Asynchronous AC induction motors, permanent magnet motors and synchronous reluctance motors
<b>Frequency (<math>f_2</math>)</b>	0...500 Hz. This is indicated in the type designation label as output frequency level f1 (0...500 Hz).
<b>Frequency resolution</b>	0.01 Hz
<b>Current</b>	See section <a href="#">Ratings</a> on page 160.
<b>Switching frequency</b>	2 kHz, 4 kHz, 8 kHz, 12 kHz (depends on the frame and parameter settings)

---

**Maximum recommended motor cable length****Operational functionality and motor cable length**

The drive is designed to operate with optimum performance with the following maximum motor cable lengths.

**Note:** Conducted and radiated emissions of these motor cable lengths do not comply with EMC requirements.

Frame size	Maximum motor cable length, 4 kHz			
	Scalar control		Vector control	
	m	ft	m	ft
<b>Standard drive, without external options</b>				
R1	100	330	100	330
R2	200	660	200	660
R3	300	990	300	990
R4	300	990	300	990
R5	300	990	300	990
R6	300	990	300	990
R7	300	990	300	990
R8	300	990	300	990
R9	300	990	300	990

3AXD00000586715.xls J

**Note:** In multimotor systems, the calculated sum of all motor cable lengths must not exceed the maximum motor cable length given in the table.



**EMC compatibility and motor cable length**

To comply with the European EMC Directive (standard EN 61800-3), use the following maximum motor cable lengths at 4 kHz switching frequency. See the table below.

Frame size	Maximum motor cable length, 4 kHz	
	m	ft
<b>EMC limits for Category C2 <sup>1)</sup></b> Standard drive with an internal EMC filter. See notes 1 and 2.		
R1	100	330
R2	100	330
R3	100	330
R4	100	330
R5	100	330
R6	150	492
R7	150	492
R8	150	492
R9	150	492
<b>EMC limits for Category C3 <sup>1)</sup></b> Standard drive with an internal EMC filter. See notes 3.		
R1	100	330
R2	100	330
R3	100	330
R4	100	330
R5	100	330
R6	150	492
R7	150	492
R8	150	492
R9	150	492

3AXD0000586715.xls J

<sup>1)</sup> See the terms in section [Definitions](#) on page 197.

**Note 1:** Radiated and conducted emissions are according to category C2 with a internal EMC filter. The internal EMC filter must be connected.

**Note 2:** Categories C1 and C2 meet requirements for connecting equipment to the public low-voltage networks.

**Note 3:** Radiated and conducted emissions are according to category C3 with an internal EMC filter. The internal EMC filter must be connected.

**Brake resistor connection data for frames R1...R3**

**Short-circuit protection (IEC/EN 61800-5-1, IEC 61439-1, UL 508C)**

The brake resistor output is conditionally short-circuit proof by IEC/EN 61800-5-1 and UL 508C. Rated conditional short-circuit current as defined in IEC 61439-1.

## Control connection data

---

### External power supply

Maximum power:

Frames R1...R5: 25 W, 1.04 A at 24 V AC/DC  $\pm 10\%$  with an option module

Frames R6...R9: 36 W, 1.50 A at 24 V AC/DC  $\pm 10\%$  as standard

Supplied from an external power supply through option module CMOD-01 or CMOD-02 with frames R1...R5. With frames R6...R9 no options are needed.

Terminal size:

Frames R1...R5: 0.2...2.5 mm<sup>2</sup>

Frames R6...R9: 0.14...2.5 mm<sup>2</sup>

### +24 V DC output (Term. 10)

Total load capacity of this outputs is 6.0 W (250 mA / 24 V) minus the power taken by the option modules installed on the board.

Terminal size:

Frames R1...R5: 0.2...2.5 mm<sup>2</sup>

Frames R6...R9: 0.14...2.5 mm<sup>2</sup>

### Digital inputs DI1...DI6 (Term. 13...18)

Input type: NPN/PNP

Terminal size:

Frames R1...R5: 0.14...1.5 mm<sup>2</sup>

Frames R6...R9: 0.14...2.5 mm<sup>2</sup>

#### DI1...DI5 (Term. 13...17)

12/24 V DC logic levels: "0" < 4 V, "1" > 8 V

$R_{in}$ : 3 kohm

Hardware filtering: 0.04 ms, digital filtering: 2 ms sampling

#### DI5 (Term. 17)

Can be used as a digital or frequency input.

12/24 V DC logic levels: "0" < 3 V, "1" > 8 V

$R_{in}$ : 3 kohm

Max. frequency 16 kHz

Symmetrical signal (duty cycle D = 0.50)

#### DI6 (Term. 18)

Can be used as a digital or PTC input.

Digital input mode

12/24 V DC logic levels: "0" < 4 V, "1" > 8 V

$R_{in}$ : 3 kohm

Hardware filtering: 0.04 ms, digital filtering: 2 ms sampling

**Note:** DI6 is not supported in the NPN configuration.

PTC mode – PTC thermistor can be connected between DI6 and +24VDC: < 1.5 kohm = '1' (low temperature), > 4 kohm = '0' (high temperature), open circuit = '0' (high temperature).

DI6 is not a reinforced/double insulated input. Connecting the motor PTC sensor to this input requires usage of a reinforced/double insulated PTC sensor inside the motor.

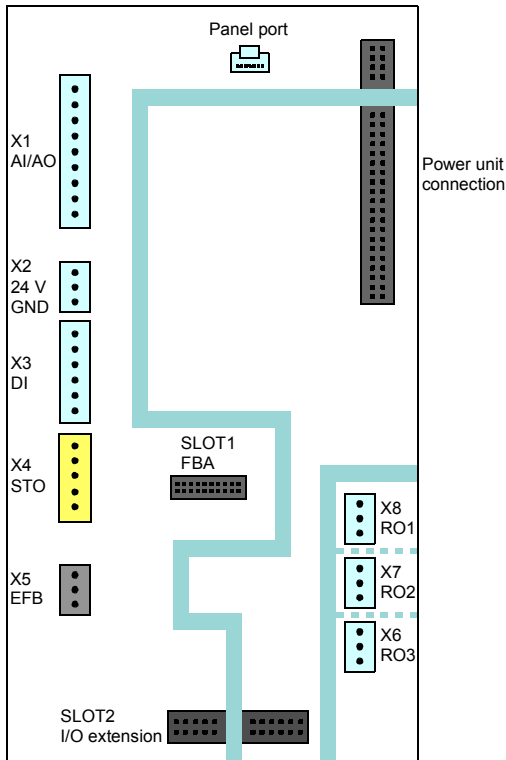
---



---

<b>Relay outputs RO1...RO3</b> (Term. 19...27)	<p>250 V AC / 30 V DC, 2 A</p> <p>Terminal size:            Frames R1...R5: 0.14...1.5 mm<sup>2</sup>            Frames R6...R9: 0.14...2.5 mm<sup>2</sup></p> <p>See sections <a href="#">Isolation areas, R1...R5</a> on page 188 and <a href="#">Isolation areas, R6...R9</a> on page 189.</p>
<b>Analog inputs AI1 and AI2</b> (Term. 2 and 5)	<p>Current/voltage input mode selected with a parameter.</p> <p>Current input: 0(4)...20 mA, <math>R_{in}</math>: 100 ohm</p> <p>Voltage input: 0(2)...10 V, <math>R_{in}</math>: &gt; 200 kohm</p> <p>Terminal size:            Frames R1...R5: 0.14...1.5 mm<sup>2</sup>            Frames R6...R9: 0.14...2.5 mm<sup>2</sup></p> <p>Inaccuracy: typical <math>\pm 1\%</math>, max. <math>\pm 1.5\%</math> of full scale</p>
<b>Analog outputs AO1 and AO2</b> (Term. 7 and 8)	<p>Current/voltage input mode selected with a parameter.</p> <p>Current output: 0...20 mA, <math>R_{load}</math>: &lt; 500 ohm</p> <p>Voltage output: 0...10 V, <math>R_{load}</math>: &gt; 100 kohm (AO1 only)</p> <p>Terminal size:            Frames R1...R5: 0.14...1.5 mm<sup>2</sup>            Frames R6...R9: 0.14...2.5 mm<sup>2</sup></p> <p>Inaccuracy: <math>\pm 1\%</math> of full scale (in voltage and current modes)</p>
<b>Reference voltage output for analog inputs +10V DC</b> (Term. 4)	<p>Max. 20 mA output</p> <p>Inaccuracy: <math>\pm 1\%</math></p>
<b>Safe torque off (STO) inputs IN1 and IN2</b> (Term. 37 and 38)	<p>24 V DC logic levels: "0" &lt; 5 V, "1" &gt; 13 V</p> <p><math>R_{in}</math>: 2.47 kohm</p> <p>Terminal size:            Frames R1...R5: 0.14...1.5 mm<sup>2</sup>            Frames R6...R9: 0.14...2.5 mm<sup>2</sup></p>
<b>STO cable</b>	<p>Maximum cable length 300 m (984 ft) between activation switch (K) and drive control board, see sections <a href="#">Wiring examples</a> on page 235 and <a href="#">Safety data</a> on page 244.</p>
<b>Control panel - drive connection</b>	EIA-485, male RJ-45 connector, max. cable length 100 m
<b>Control panel - PC connection</b>	USB Type Mini-B, max. cable length 2 m

---

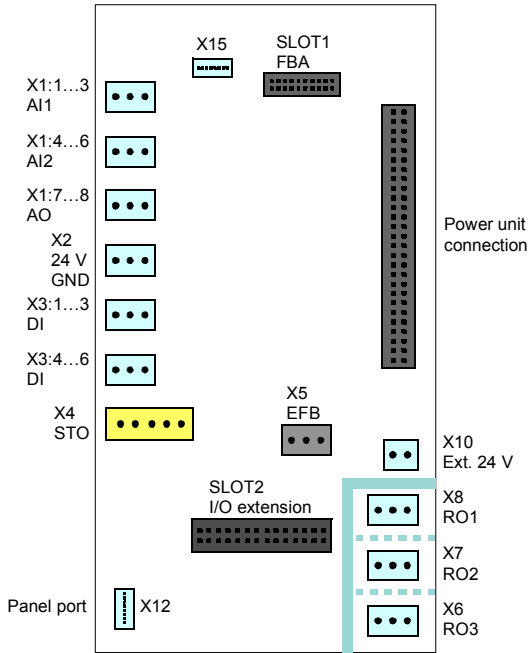
Isolation areas, R1...R5



Symbol	Description
	Reinforced insulation (IEC/EN 61800-5-1:2007)
	Functional insulation (IEC/EN 61800-5-1:2007)

Below altitudes 4000 m (6562 ft): The terminals on the control board fulfill the Protective Extra Low Voltage (PELV) requirements (EN 50178): There is adequate insulation between the user terminals which only accept ELV voltages and terminals that accept higher voltages (relay outputs).

Isolation areas, R6...R9



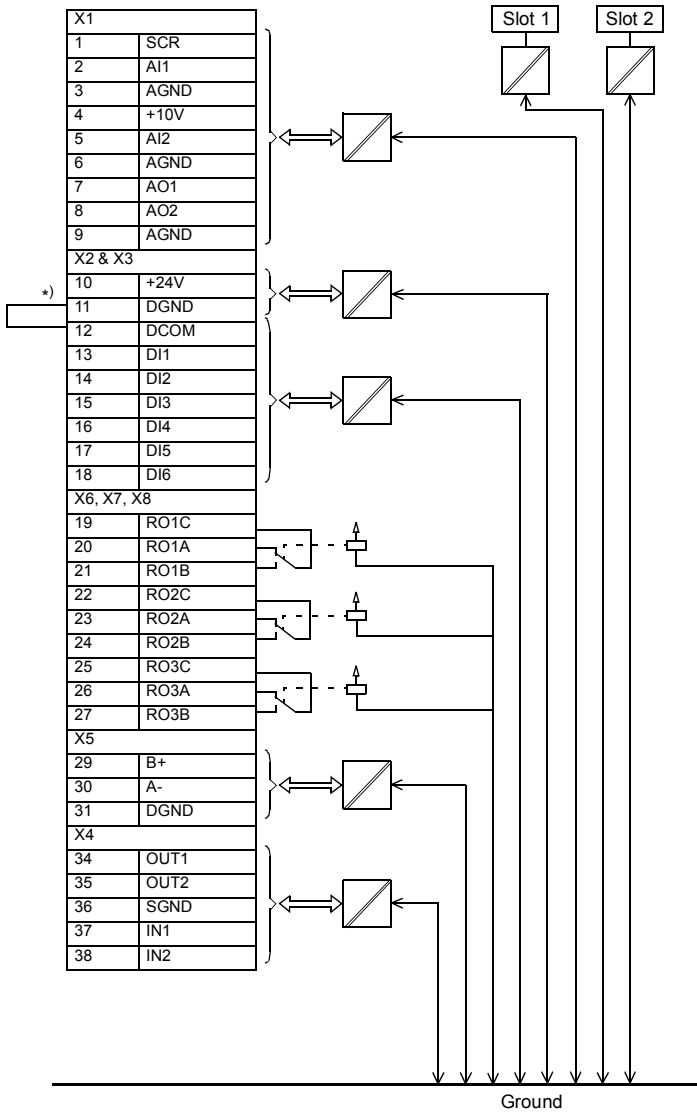
Symbol	Description
	Reinforced insulation (IEC/EN 61800-5-1:2007)
	Functional insulation (IEC/EN 61800-5-1:2007)

The terminals on the control board fulfill the Protective Extra Low Voltage (PELV) requirements (EN 50178): There is reinforced insulation between the user terminals which only accept ELV voltages and terminals that accept higher voltages (relay outputs).

**Note:** There is functional insulation between the individual relay outputs.

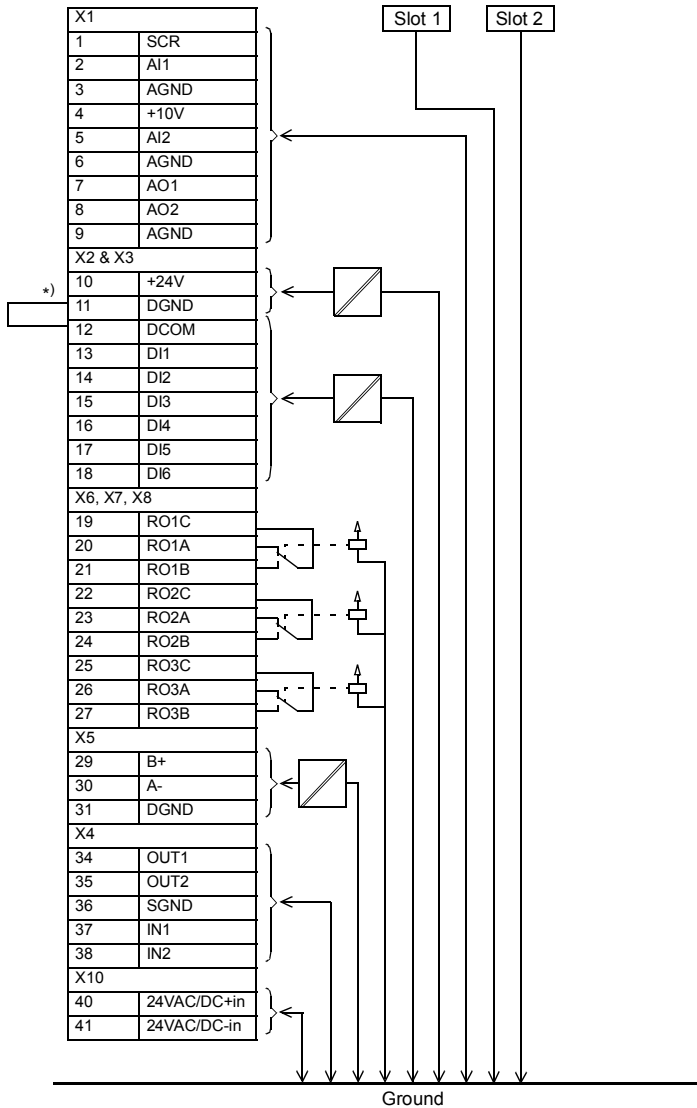
**Note:** There is reinforced insulation on the power unit.

**Grounding of frames R1...R5**



\*) Jumper installed at factory

**Grounding of frames R6...R9**



\*) Jumper installed at factory

## Auxiliary circuit power consumption

Maximum external power supply:

Frames R1...R5: 25 W, 1.04 A at 24 V AC/DC (with option modules CMOD-01, CMOD-02)

Frames R6...R9: 36 W, 1.50 A at 24 V AC/DC (as standard, terminals 40...41)

## Efficiency

Approximately 98% at nominal power level

## Degree of protection

<b>Degree of protection</b> (IEC/EN 60529)	IP21, IP55
<b>Enclosure types</b> (UL508C)	UL Type 1, UL Type 12
<b>Overvoltage category</b> (IEC 60664-1)	III
<b>Protective classes</b> (IEC/EN 61800-5-1)	I

## Ambient conditions

Environmental limits for the drive are given below. The drive is to be used in a heated, indoor, controlled environment. All printed circuit boards are conformal coated.

	<b>Operation</b> installed for stationary use	<b>Storage</b> in the protective package	<b>Transportation</b> in the protective package
<b>Installation site altitude</b>	<ul style="list-style-type: none"> <li>• 0 to 4000 m (13123 ft) above sea level <sup>1)</sup></li> <li>• 0 to 2000 m (6561 ft) above sea level <sup>2)</sup></li> </ul> Output derated above 1000 m (3281 ft), see page <a href="#">166</a> .	-	-
<b>Air temperature</b>	-15 to +50 °C (5 to 122 °F). 0 to -15 °C (32 to 5 °F): No frost allowed. See section <a href="#">Ratings</a> .	-40 to +70 °C (-40 to +158 °F)	-40 to +70 °C (-40 to +158 °F)



<b>Relative humidity</b>	5 to 95%	Max. 95%	Max. 95%
	No condensation allowed. Maximum allowed relative humidity is 60% in the presence of corrosive gases.		
<b>Contamination levels</b> (IEC 60721-3-x)	IEC 60721-3-3: 2002: Classification of environmental conditions - Part 3-3: Classification of groups of environmental parameters and their severities - Stationary use of weather protected locations	IEC 60721-3-1: 1997	IEC 60721-3-2: 1997
Chemical gases	Class 3C2	Class 1C2	Class 2C2
Solid particles	Class 3S2. No conductive dust allowed.	Class 1S3 (packing must support this, otherwise 1S2)	Class 2S2
<b>Pollution degree</b> (IEC/EN 61800-5-1)	Pollution degree 2	-	-
<b>Atmospheric pressure</b>	70 to 106 kPa 0.7 to 1.05 atmospheres	70 to 106 kPa 0.7 to 1.05 atmospheres	60 to 106 kPa 0.6 to 1.05 atmospheres
<b>Vibration</b> (IEC 60068-2)	Max. 1 mm (0.04 in) (5 to 13.2 Hz), max. 7 m/s <sup>2</sup> (23 ft/s <sup>2</sup> ) (13.2 to 100 Hz) sinusoidal	-	-
<b>Vibration</b> (ISTA)	-	<u>R1...R4</u> (ISTA 1A): Displacement, 25 mm peak to peak, 14200 vibratory impacts <u>R5...R9</u> (ISTA 3E): Random, overall Grms level of 0.52	

<b>Shock/Drop</b> (ISTA)	Not allowed	<b>R1...R4</b> (ISTA 1A): Drop, 6 faces, 3 edges and 1 corner		
		Weight range	mm	in
		0...10 kg (0...22 lb)	760	29.9
		10...19 kg (22...42 lb)	610	24.0
		19...28 kg (42...62 lb)	460	18.1
		28...41 kg (62...90 lb)	340	13.4
		<b>R5...R9</b> (ISTA 3E): Shock, incline impact: 1.1 m/s (3.61 ft/s) Shock, rotational edge drop: 200 mm (7.9 in)		

<sup>1)</sup> For neutral-grounded TN and TT systems and non-corner grounded IT systems.  
See also section [Limiting relay output maximum voltages at high installation altitudes](#) on page 86.

<sup>2)</sup> For corner-grounded TN, TT and IT systems

## Materials

<b>Drive enclosure</b>	<ul style="list-style-type: none"> <li>PC/ABS 3 mm, PC+GF10 3mm, color NCS 1502-Y (RAL 9002 / PMS 1C Cool Grey), RAL 9002 and PMS 425 C</li> <li>hot-dip zinc coated steel sheet 1.5 to 2.5 mm, thickness of coating 100 micrometers, color NCS 1502-Y</li> </ul>
<b>Package</b>	Plywood, cardboard and molded pulp. Foam cushions PE, PP-E, bands PP.
<b>Disposal</b>	<p>The main parts of the drive can be recycled to preserve natural resources and energy. Product parts and materials should be dismantled and separated.</p> <p>Generally all metals, such as steel, aluminum, copper and its alloys, and precious metals can be recycled as material. Plastics, rubber, cardboard and other packaging material can be used in energy recovery. Printed circuit boards and DC capacitors (C1-1 to C1-x) need selective treatment according to IEC 62635 guidelines. To aid recycling, plastic parts are marked with an appropriate identification code.</p> <p>Contact your local distributor for further information on environmental aspects and recycling instructions for professional recyclers. End of life treatment must follow international and local regulations.</p>

## Applicable standards

The drive complies with the following standards. The compliance with the European Low Voltage Directive is verified according to standard EN 61800-5-1.

<b>EN 60204-1:2006 + AC:2010</b>	<i>Safety of machinery. Electrical equipment of machines. Part 1: General requirements. Provisions for compliance:</i> The final assembler of the machine is responsible for installing - emergency-stop device - supply disconnecting device.
<b>IEC/EN 60529:1992 + A2: 2013</b>	<i>Degrees of protection provided by enclosures (IP code)</i>
<b>EN 61000-3-12:2011</b>	<i>Electromagnetic compatibility (EMC) - Part 3-12: Limits - Limits for harmonic currents produced by equipment connected to public low-voltage systems with input current</i> The standard is met with a Rsce (transformer short circuit ratio) of 350 or higher.
<b>IEC/EN 61800-3:2004 + A1:2012</b>	<i>Adjustable speed electrical power drive systems. Part 3: EMC requirements and specific test methods</i>
<b>IEC/EN 61800-5-1:2007</b>	<i>Adjustable speed electrical power drive systems. Part 5-1: Safety requirements – electrical, thermal and energy</i>
<b>IEC 60664-1:2007</b>	<i>Insulation coordination for equipment within low-voltage systems. Part 1: Principles, requirements and tests.</i>
<b>UL 508C 3rd edition</b>	<i>UL Standard for Safety, Power Conversion Equipment, second edition</i>
<b>NEMA 250:2008</b>	<i>Enclosures for Electrical Equipment (1000 Volts Maximum)</i>

## CE marking

A CE mark is attached to the drive to verify that the drive follows the provisions of the European Low Voltage, EMC and RoHS Directives. The CE marking also verifies that the drive, in regard to its safety functions (such as Safe torque off), conforms with the Machinery Directive as a safety component.

### ■ **Compliance with the European Low Voltage Directive**

The compliance with the European Low Voltage Directive has been verified according to standard EN 61800-5-1:2007. The declaration of conformity (3AXD10000302784) is available on the Internet. See section [Document library on the Internet](#) on the inside of the back cover.

### ■ **Compliance with the European EMC Directive**

The EMC Directive defines the requirements for immunity and emissions of electrical equipment used within the European Union. The EMC product standard (EN 61800-3:2004 + A1:2012) covers requirements stated for drives. See section [Compliance with the EN 61800-3:2004 + A1:2012](#) below. The declaration of conformity (3AXD10000302784) is available on the Internet. See section [Document library on the Internet](#) on the inside of the back cover.

### ■ **Compliance with the European ROHS II Directive 2011/65/EU**

The RoHS II Directive defines the restriction of the use of certain hazardous substances in electrical and electronic equipment. The declaration of conformity (3AXD10000302784) is available on the Internet. See section [Document library on the Internet](#) on the inside of the back cover.

### ■ **Compliance with the European Machinery Directive 2006/42/EC 2nd Edition – June 2010**

The drive is a machinery component that can be integrated into a wide range of machinery categories as specified in European Commission's *Guide to application of the Machinery Directive 2006/42/EC 2nd Edition – June 2010*. The declaration of conformity (3AXD10000302783) is available on the Internet. See section [Document library on the Internet](#) on the inside of the back cover.

### **Validating the operation of the Safe torque off function**

See chapter [Safe torque off function](#) on page 231.

---

## Compliance with the EN 61800-3:2004 + A1:2012

### ■ Definitions

EMC stands for **E**lectromagnetic **C**ompatibility. It is the ability of electrical/electronic equipment to operate without problems within an electromagnetic environment. Likewise, the equipment must not disturb or interfere with any other product or system within its locality.

*First environment* includes establishments connected to a low-voltage network which supplies buildings used for domestic purposes.

*Second environment* includes establishments connected to a network not directly supplying domestic premises.

*Drive of category C1:* drive of rated voltage less than 1000 V and intended for use in the first environment.

*Drive of category C2:* drive of rated voltage less than 1000 V and intended to be installed and started up only by a professional when used in the first environment.

**Note:** A professional is a person or organization having necessary skills in installing and/or starting up power drive systems, including their EMC aspects.

*Drive of category C3:* drive of rated voltage less than 1000 V, intended for use in the second environment and not intended for use in the first environment.

### ■ Category C1

The emission limits are complied with the following provisions:

1. The optional EMC filter is selected according to the documentation and installed as specified in the EMC filter manual.
2. The motor and control cables are selected as specified in this manual.
3. The drive is installed according to the instructions given in this manual.
4. For the maximum motor cable length with 4 kHz switching frequency, see page [184](#).

---

**WARNING!** In a domestic environment, this product may cause radio interference, in which case supplementary mitigation measures may be required.

---

## ■ **Category C2**

The emission limits are complied with the following provisions:

1. The motor and control cables are selected as specified in this manual.
2. The drive is installed according to the instructions given in this manual.
3. For the maximum motor cable length with 4 kHz switching frequency, see page [184](#).

---

**WARNING!** The drive may cause radio interference if used in residential or domestic environment. The user is required to take measures to prevent interference, in association to the requirements for the CE compliance listed above, if necessary.

---

**Note:** Do not install a drive with the internal EMC filter connected on IT (ungrounded). The supply network becomes connected to ground potential through the internal EMC filter capacitors which may cause danger or damage to the drive. For disconnecting the EMC filter see page [93](#).

**Note:** Do not install a drive with internal EMC filter connected on corner-grounded TN systems; otherwise the drive will be damaged. For disconnecting the internal EMC filter see page [93](#).

## ■ **Category C3**

The drive complies with the standard with the following provisions:

1. The motor and control cables are selected as specified in this manual.
2. The drive is installed according to the instructions given in this manual.
3. For the maximum motor cable length with 4 kHz switching frequency, see page [184](#)

---

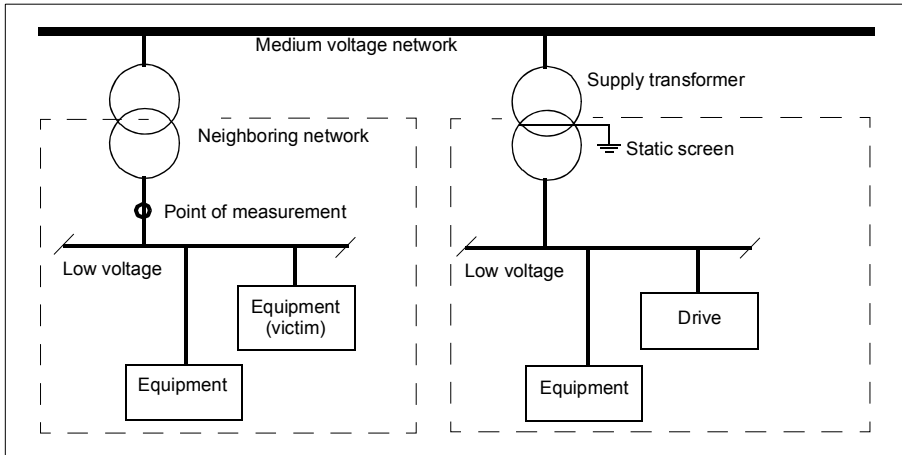
**WARNING!** A drive of category C3 is not intended to be used on a low-voltage public network which supplies domestic premises. Radio frequency interference is expected if the drive is used on such a network.

---

## ■ Category C4

If the provisions under [Category C3](#) cannot be met, the requirements of the standard can be met as follows:

1. It is ensured that no excessive emission is propagated to neighboring low-voltage networks. In some cases, the inherent suppression in transformers and cables is sufficient. If in doubt, the supply transformer with static screening between the primary and secondary windings can be used.



2. An EMC plan for preventing disturbances is drawn up for the installation. A template is available from the local ABB representative.
3. The motor and control cables are selected as specified in this manual.
4. The drive is installed according to the instructions given in this manual.

---

**WARNING!** A drive of category C4 is not intended to be used on a low-voltage public network which supplies domestic premises. Radio frequency interference is expected if the drive is used on such a network.

---



## UL marking

The drive is cULus Listed.

### ■ UL checklist

- Make sure that the drive type designation label includes the cULus Listed marking.
- **CAUTION - Risk of electric shock.** After disconnecting the input power, always wait for 5 minutes to let the intermediate circuit capacitors discharge before you start working on the drive, motor or motor cable.
- The drive is to be used in a heated, indoor controlled environment. The drive must be installed in clean air according to the enclosure classification. Cooling air must be clean, free from corrosive materials and electrically conductive dust.
- The maximum surrounding air temperature is 50 °C (122°F) at rated current for UL Type 1 frames R1...R3, and 40 °C (104 °F) at rated current for UL Type 1 frames R4...R9 and all UL Type 12 frames. The current is derated for 40 to 50 °C (104 to 122 °F).
- The drive is suitable for use in a circuit capable of delivering not more than 100,000 rms symmetrical amperes, 480 V maximum when protected by the UL fuses on page 171. The ampere rating is based on tests done according to the appropriate UL standard.
- The cables located within the motor circuit must be rated for at least 75 °C (167 °F) in UL-compliant installations.
- Integral solid state short circuit protection does not provide branch circuit protection. The input cable must be protected with fuses. Suitable IEC (class aR) fuses are listed on page 170 and UL (class T) fuses on page 171. These fuses provide branch circuit protection in accordance with the National Electrical Code (NEC) and Canadian Electrical Code. For installation in the United States, also obey any other applicable local codes. For installation in Canada, also obey any applicable provincial codes.

**Note:** Circuit breakers must not be used without fuses in the USA. For suitable circuit breakers, See page 172 or contact your local representative.

- The drive provides motor overload protection. For the adjustments, see the firmware manual.
- For drive overvoltage category, see page 192. For pollution degree, see page 193.



## China RoHS marking

The *People's Republic of China Electronic Industry Standard* (SJ/T 11364-2014) specifies the marking requirements for hazardous substances in electronic and electrical products. The green mark is attached to the drive to verify that it does not contain toxic and hazardous substances or elements above the maximum concentration values, and that it is an environmentally-friendly product which can be recycled and reused.

## RCM marking

See the type designation label for the valid markings of your drive. Regulatory Compliance (RCM) Mark is required in Australia and New Zealand. A RCM mark is attached to the drive to verify compliance with the relevant standard (IEC/EN 61800-3:2004 – *Adjustable speed electrical power drive systems – Part 3: EMC product standard including specific test methods*), mandated by the Trans-Tasman Electromagnetic Compatibility Scheme. For fulfilling the requirements of the standard, see section Compliance with IEC/EN 61800-3:2004 on page 382. The declaration of conformity (3AXD10000493117) is available on the Internet. See section [Document library on the Internet](#) on the inside of the back cover.

## WEEE marking

The drive is marked with the wheelee bin symbol. It indicates that at the end of life the drive should enter the recycling system at an appropriate collection point and not placed in the normal waste stream. See section [Disposal](#) on page 194.

## EAC marking

EAC marking is required in Russia, Belarus and Kazakhstan. The EAC certificate of conformity (3AXD10000312900) is available on the Internet. See section [Document library on the Internet](#) on the inside of the back cover.

## Disclaimer

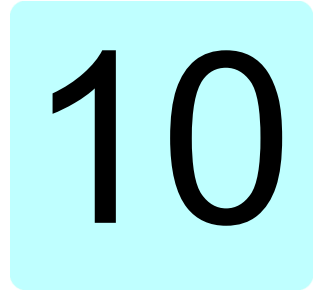
The manufacturer shall have no obligation with respect to any product which (i) has been improperly repaired or altered; (ii) has been subjected to misuse, negligence or accident; (iii) has been used in a manner contrary to the manufacturer's instructions; or (iv) has failed as a result of ordinary wear and tear.

## Cyber security disclaimer

This product is designed to be connected to and to communicate information and data via a network interface. It is Customer's sole responsibility to provide and continuously ensure a secure connection between the product and Customer network

---

or any other network (as the case may be). Customer shall establish and maintain any appropriate measures (such as but not limited to the installation of firewalls, application of authentication measures, encryption of data, installation of anti-virus programs, etc) to protect the product, the network, its system and the interface against any kind of security breaches, unauthorized access, interference, intrusion, leakage and/or theft of data or information. ABB and its affiliates are not liable for damages and/or losses related to such security breaches, any unauthorized access, interference, intrusion, leakage and/or theft of data or information.



# Dimension drawings

---

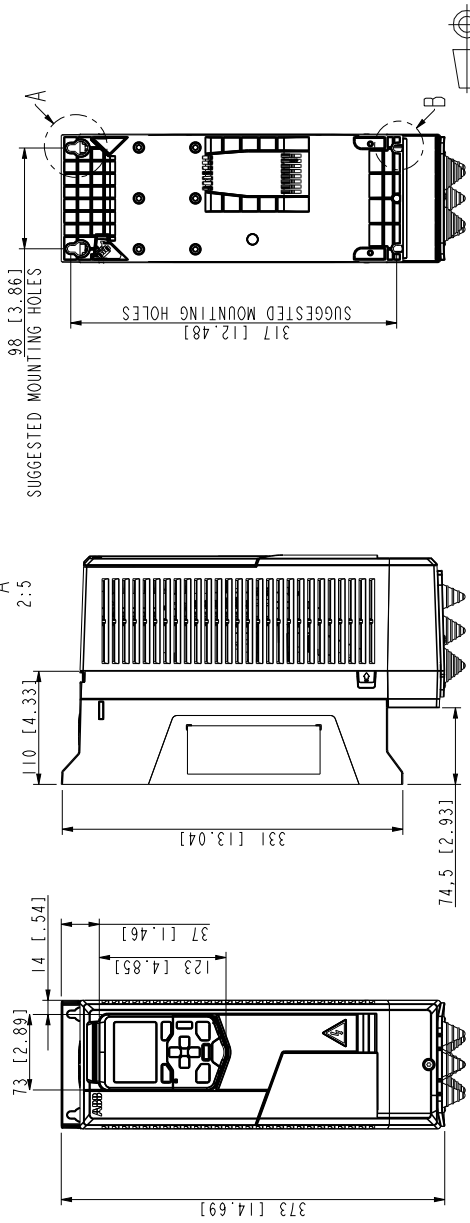
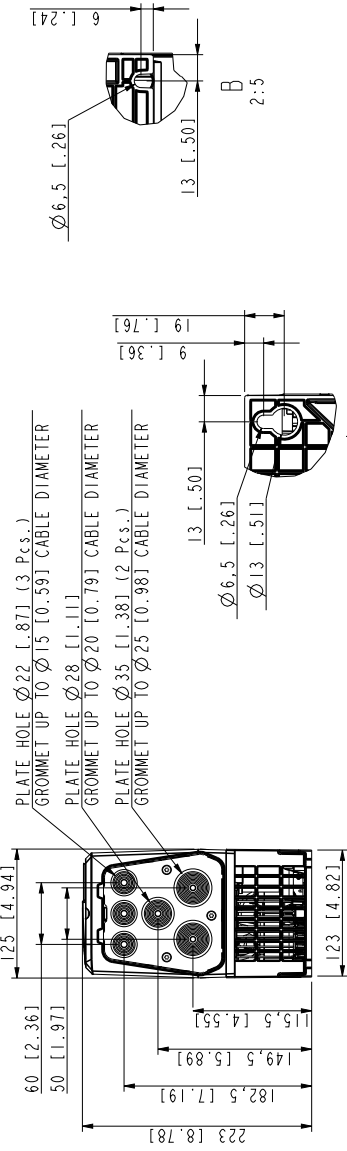
## Contents of this chapter

This chapter shows the dimension drawings of the ACS580-01. The dimensions are given in millimeters and [inches].

# Frame R1, IP21 (UL Type 1)

First angle projection. Original drawing made with 3D CAD. Set the correct scale factor when adding dimensions offer DWG/DXF conversion.

IP21

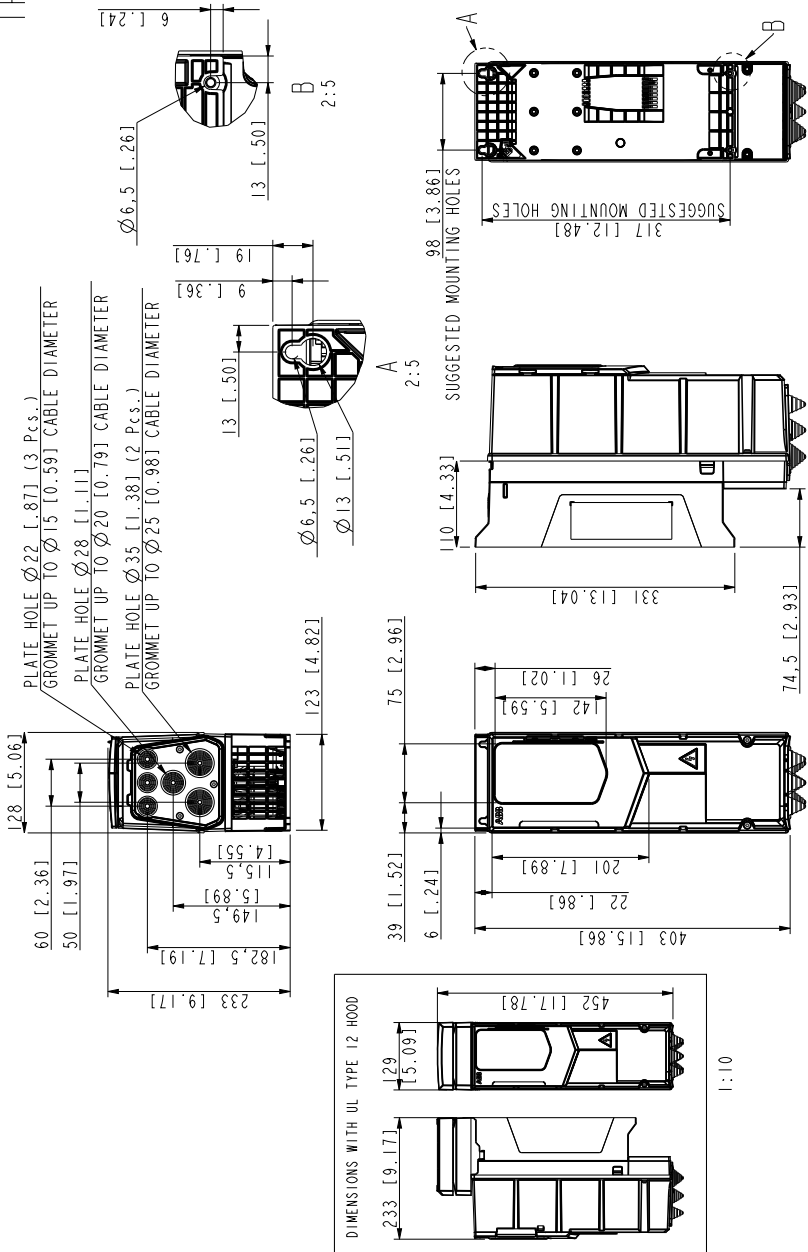


3AXD10000601652

# Frame R1, IP55 (UL Type 12)

IP55

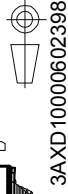
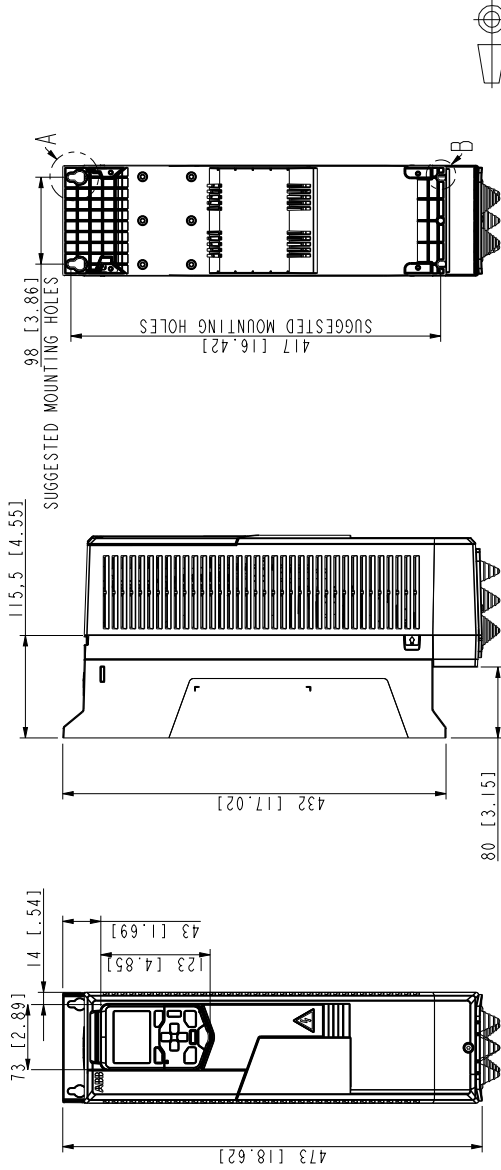
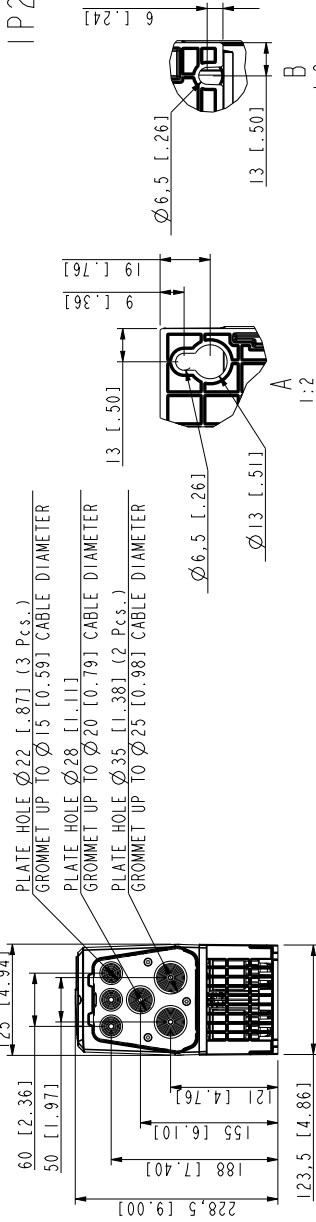
First angle projection. Original drawing made with 3D CAD. Set the correct scale factor when adding dimensions after DMG/DXF conversion.



# Frame R2, IP21 (UL Type 1)

First angle projection. Original drawing made with 3D CAD. Set the correct scale factor when adding dimensions after DWG/DXF conversion.

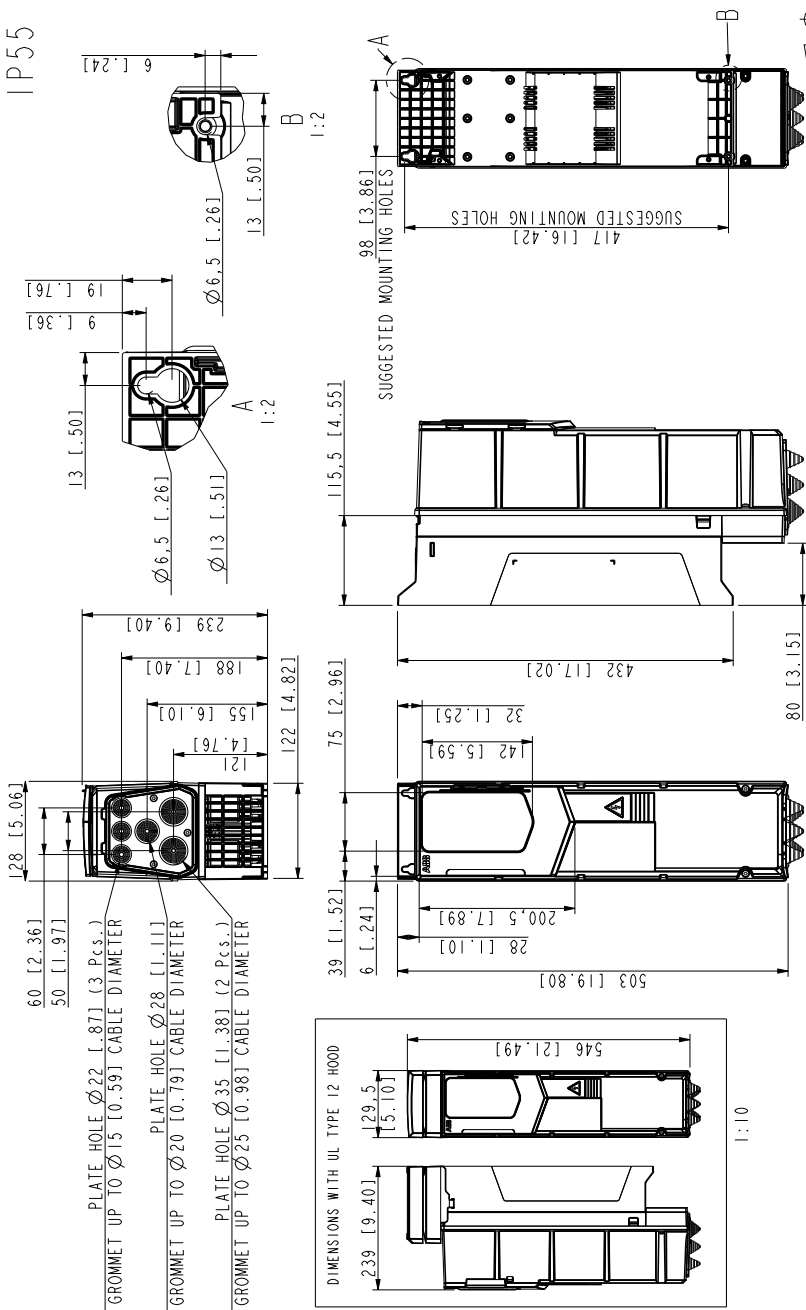
IP21



# Frame R2, IP55 (UL Type 12)

IP55

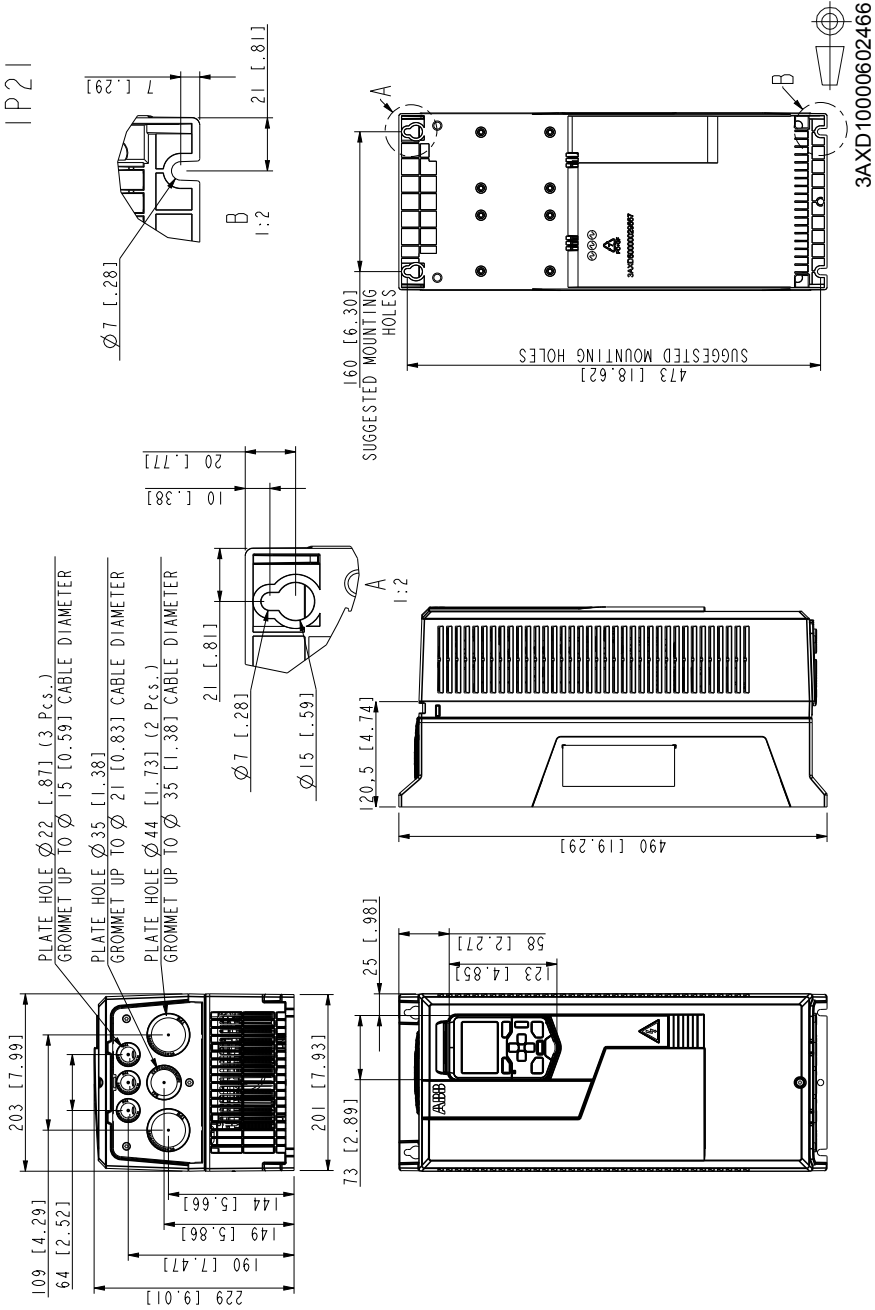
First angle projection. Original drawing made with 3D CAD. Set the correct scale factor when adding dimensions after DWG/DXF conversion.



3AXD10000602401

# Frame R3, IP21 (UL Type 1)

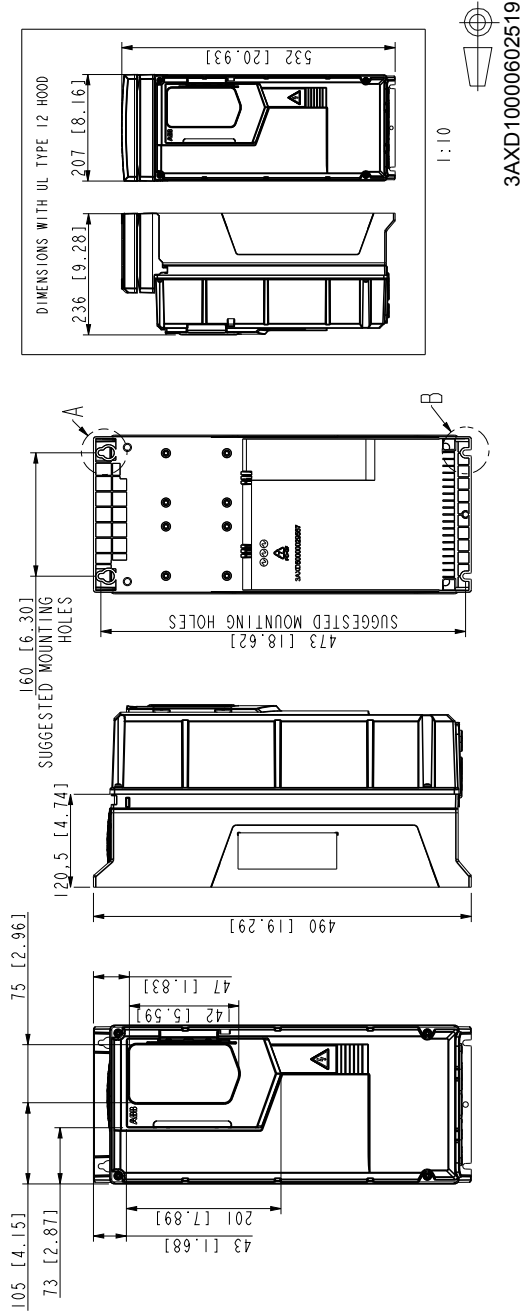
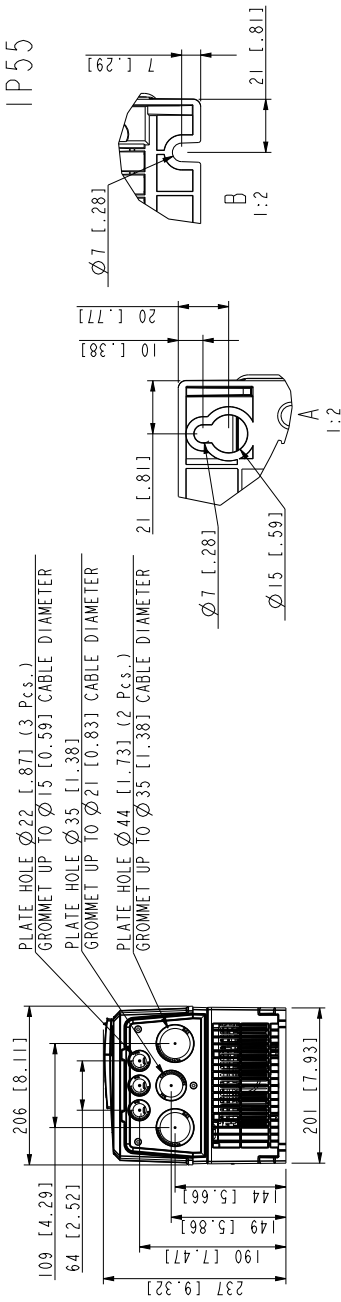
First angle projection. Original drawing made with 3D CAD. Set the correct scale factor when adding dimensions after DWG/DXF conversion.



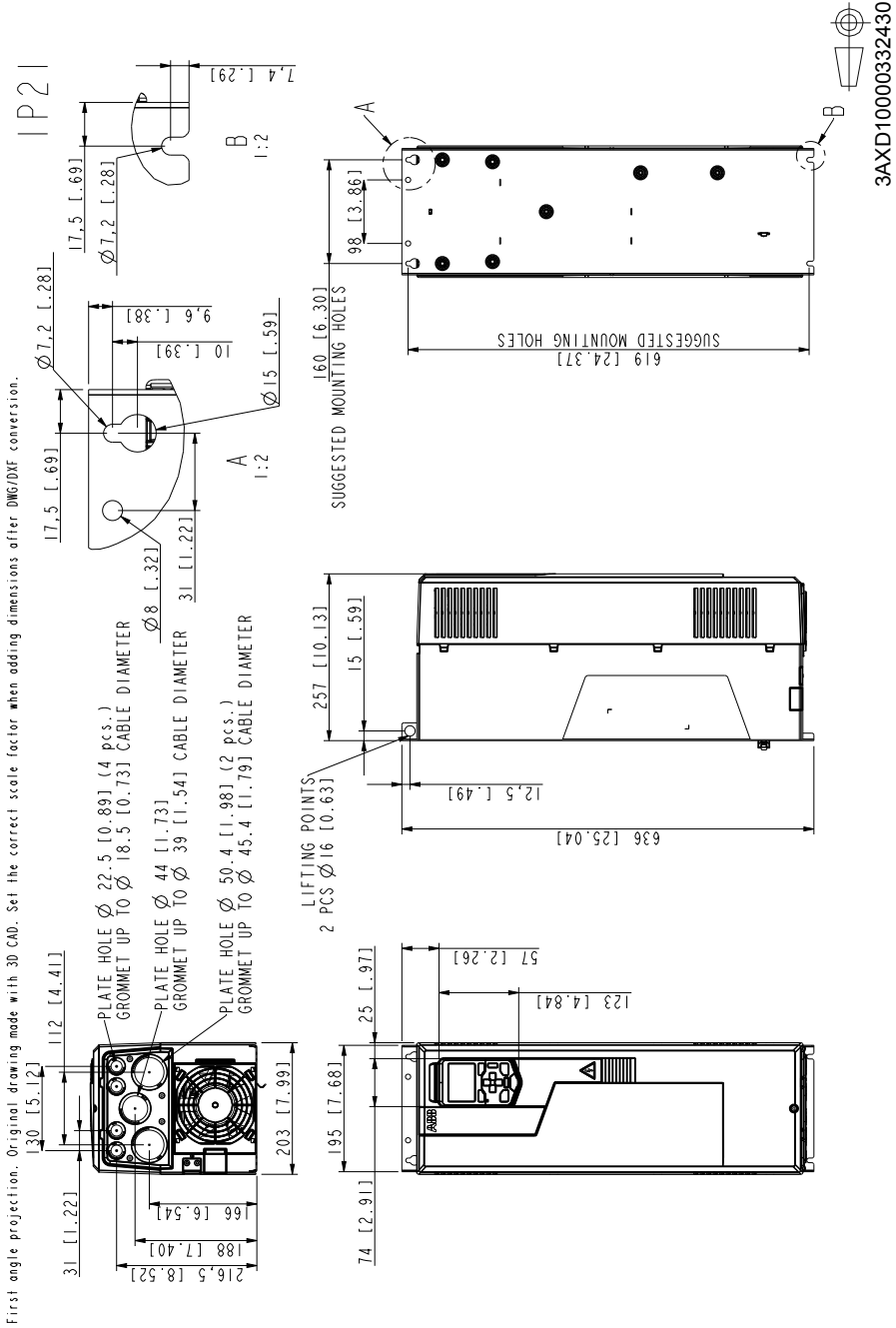


# Frame R3, IP55 (UL Type 12)

First angle projection. Original drawing made with 3D CAD. Set the correct scale factor when adding dimensions after DWG/DXF conversion.

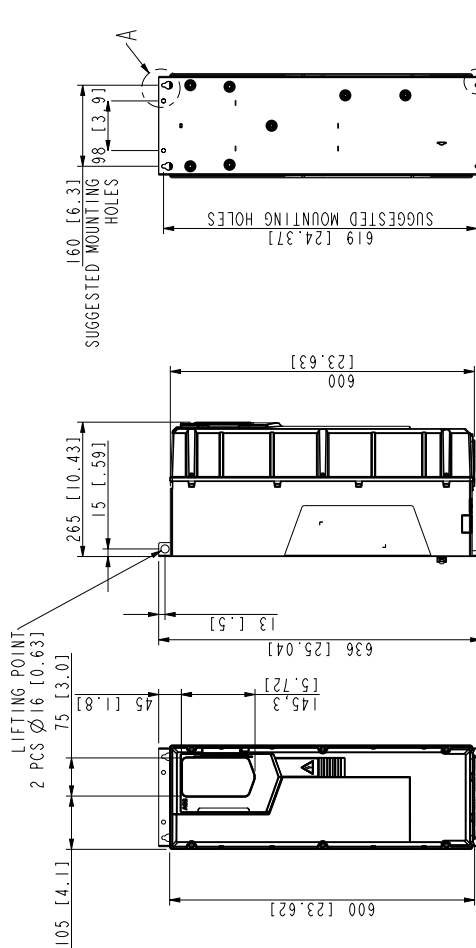
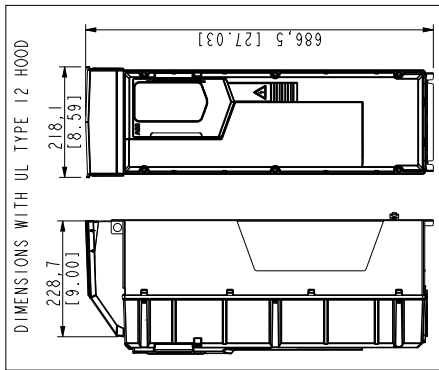
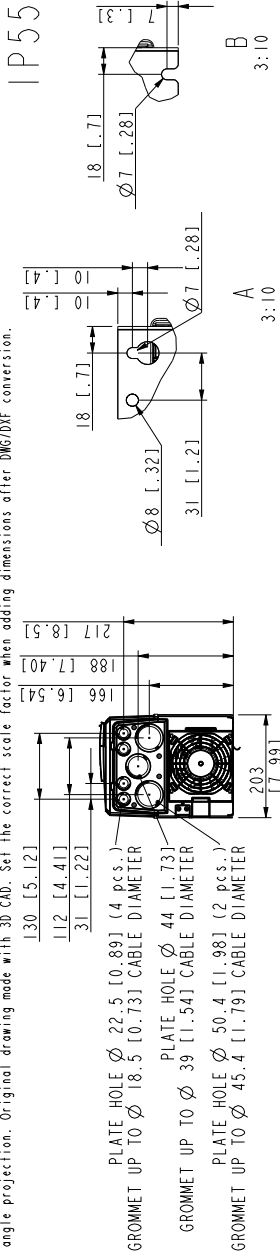


# Frame R4, IP21 (UL Type 1)



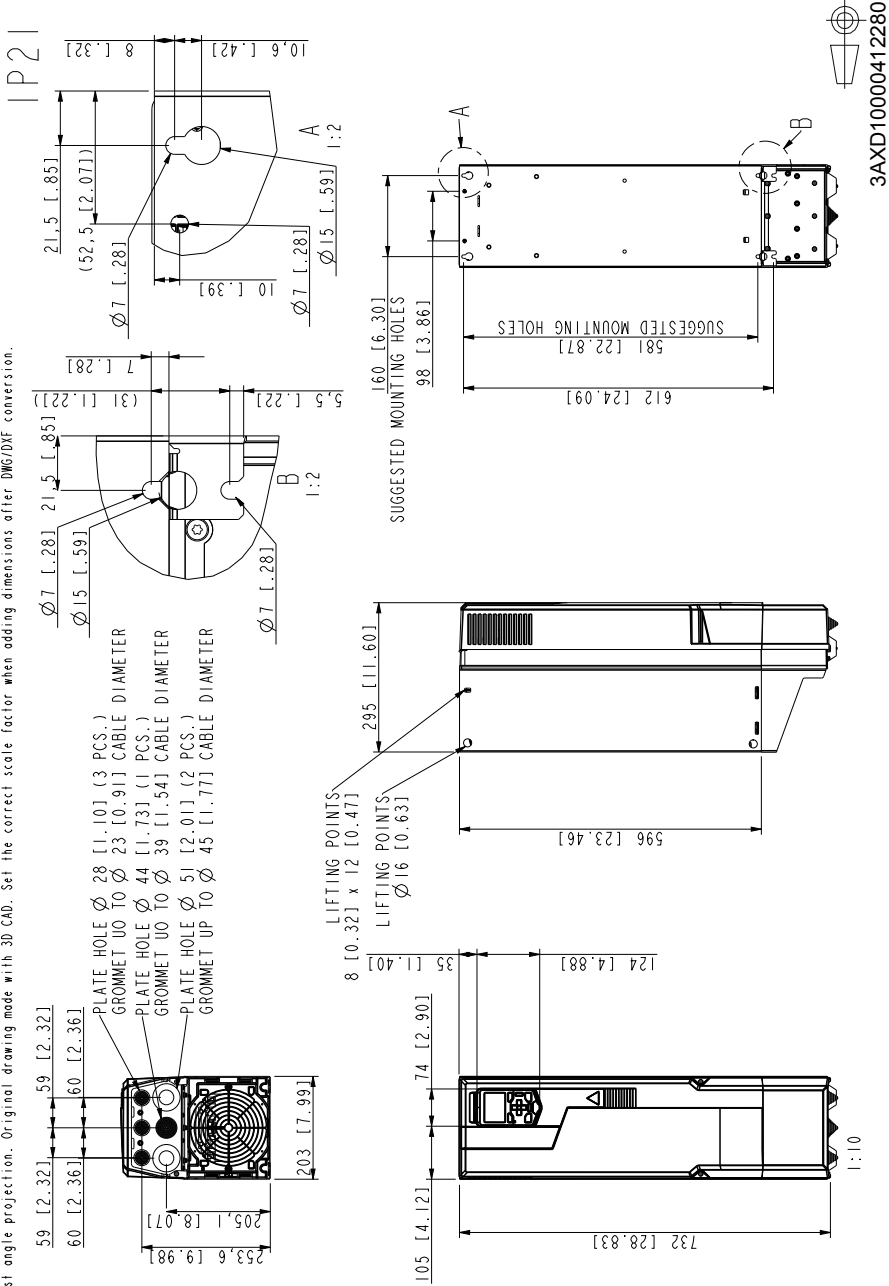
# Frame R4, IP55 (UL Type 12)

First angle projection. Original drawing made with 3D CAD. Set the correct scale factor when adding dimensions after DMG/DXF conversion.



# Frame R5, IP21 (UL Type 1)

First angle projection. Original drawing made with 3D CAD. Set the correct scale factor when adding dimensions after DWG/DAE conversion.

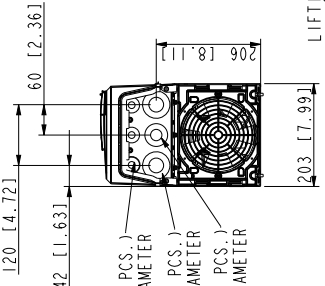
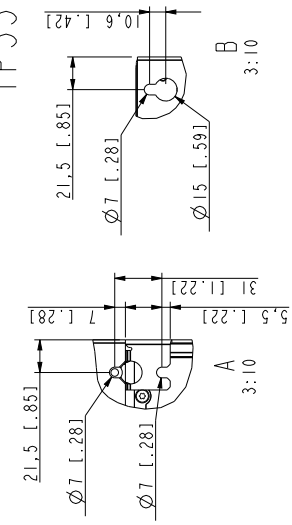


3AXD10000412280

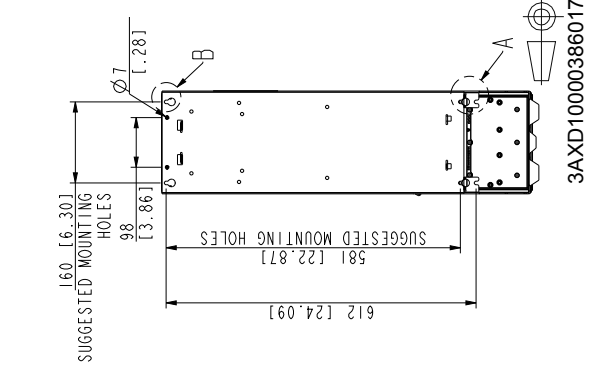
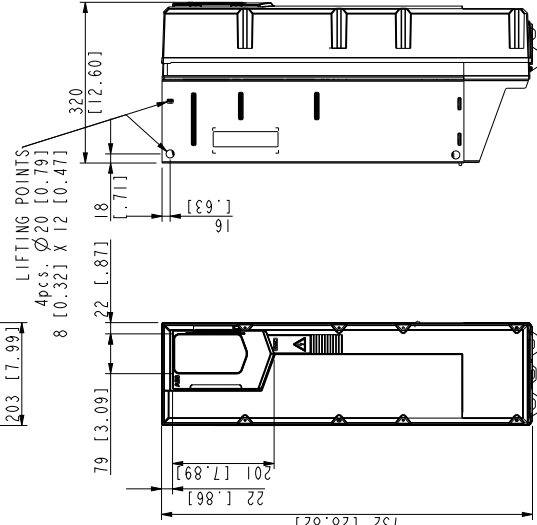
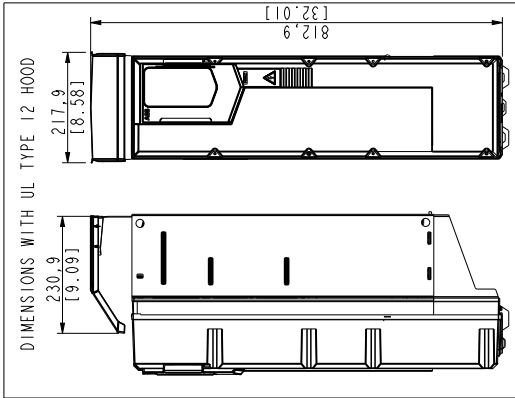
# Frame R5, IP55 (UL Type 12)

First angle projection. Original drawing made with 3D CAD. Set the correct scale factor when adding dimensions after DMG/DXF conversion.

IP55



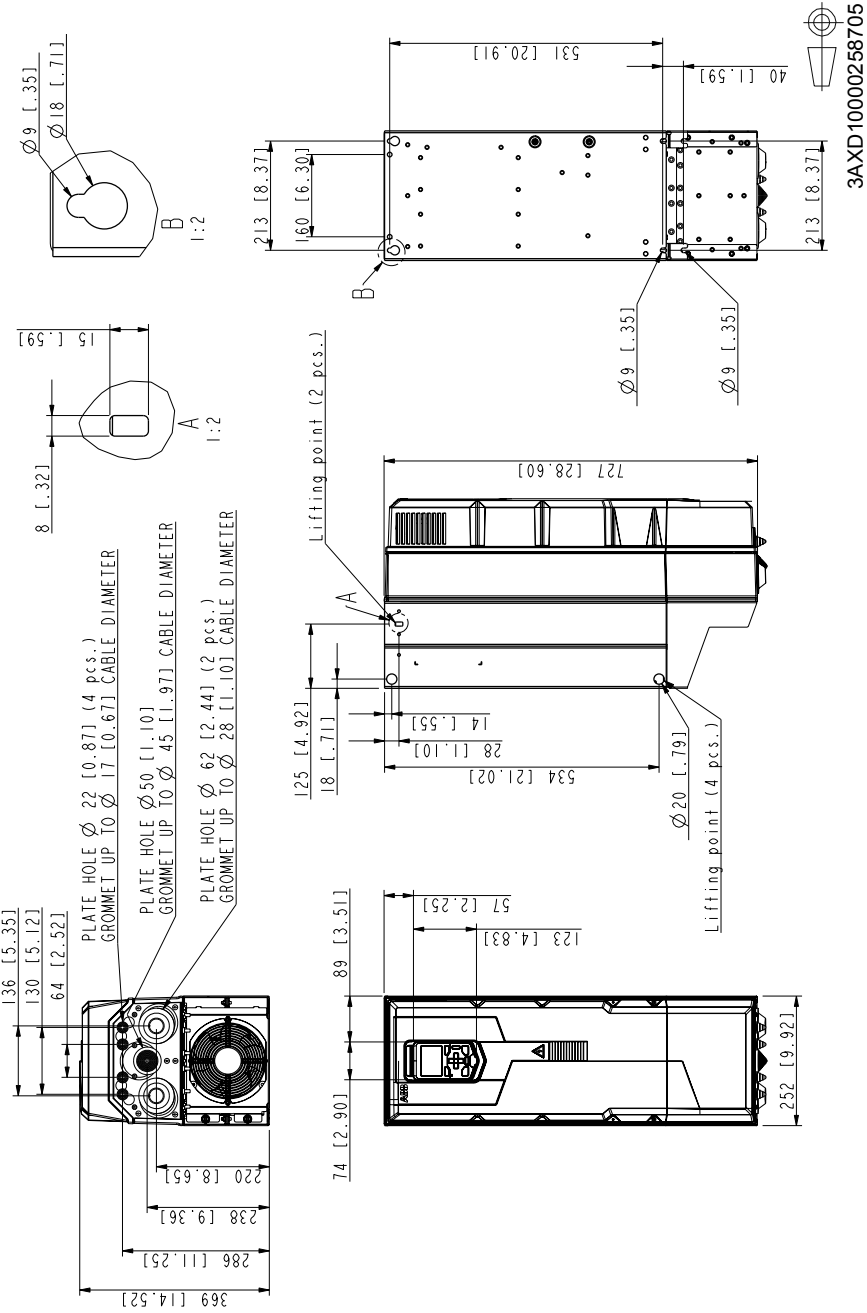
- PLATE HOLE Ø 28 [1.11] (3 PCS.)  
GROMMET UP TO Ø 23 [0.91] CABLE DIAMETER
- PLATE HOLE Ø 51 [2.01] (2 PCS.)  
GROMMET UP TO Ø 45 [1.77] CABLE DIAMETER
- PLATE HOLE Ø 44 [1.73] (1 PCS.)  
GROMMET UP TO Ø 39 [1.54] CABLE DIAMETER



3AXD10000386017

# Frame R6, IP21 (UL Type 1)

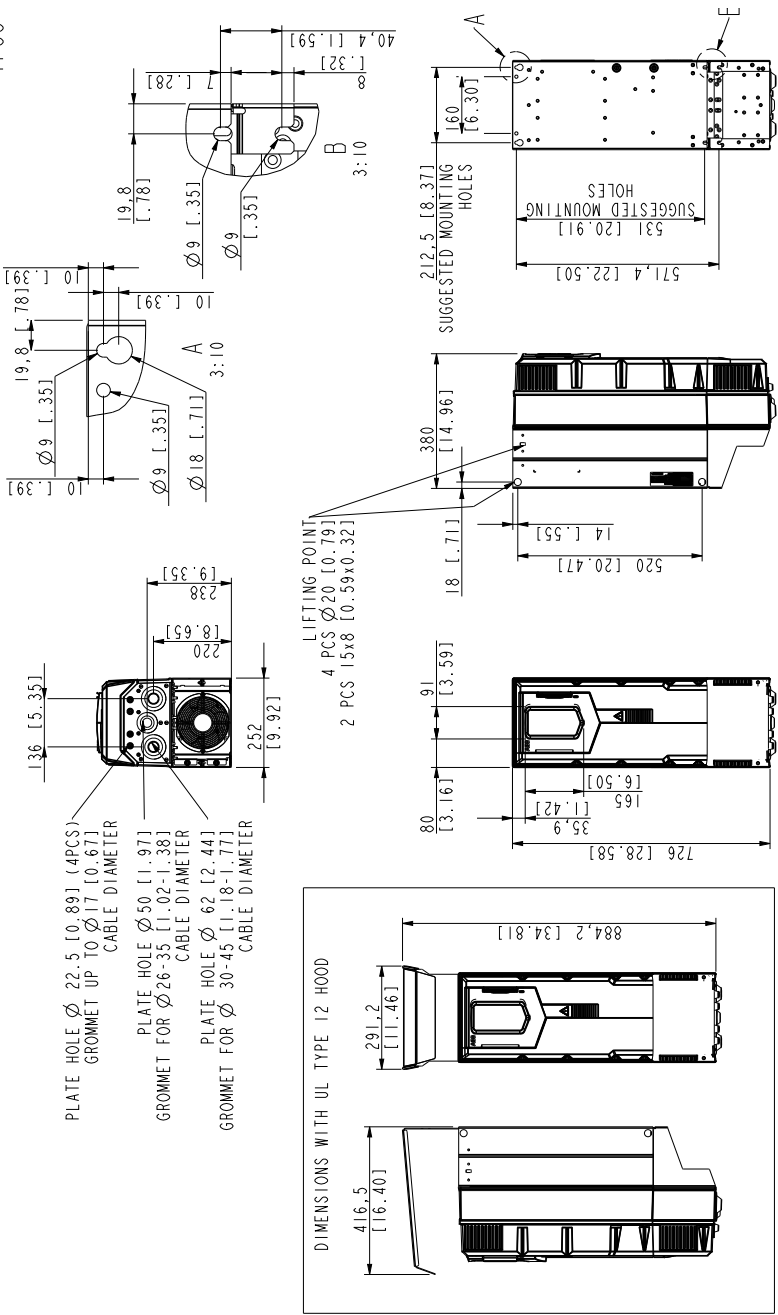
First angle projection. Original drawing made with Pro/ENGINEER. Set the correct scale factor when adding dimensions after DWG/DXF conversion.



# Frame R6, IP55 (UL Type 12)

IP55

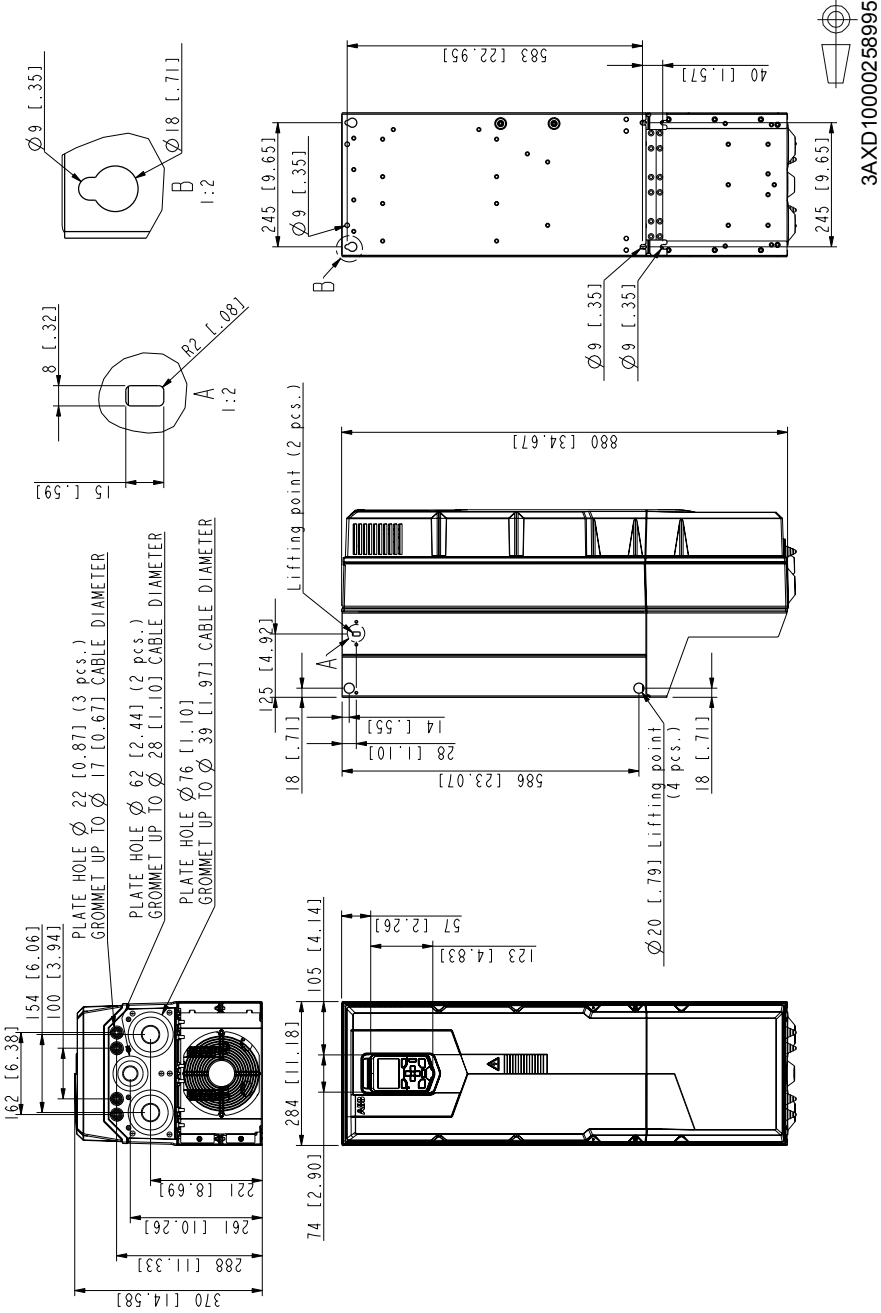
First angle projection. Original drawing made with 3D CAD. Set the correct scale factor when adding dimensions after DWG/DXF conversion.



3AXD10000330667

# Frame R7, IP21 (UL Type 1)

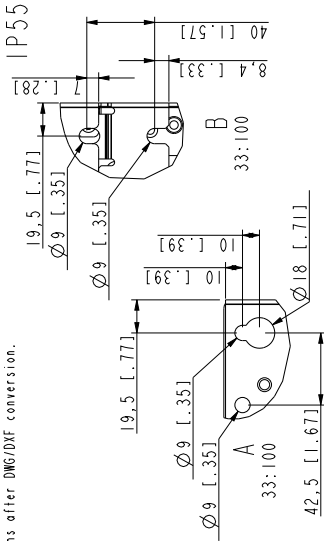
First angle projection. Original drawing made with Pro/ENGINEER. Set the correct scale factor when adding dimensions after DWG/DXF conversion.



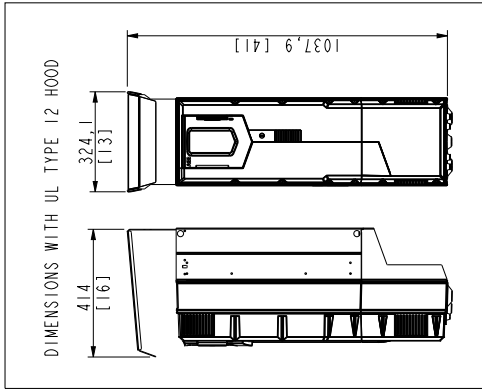
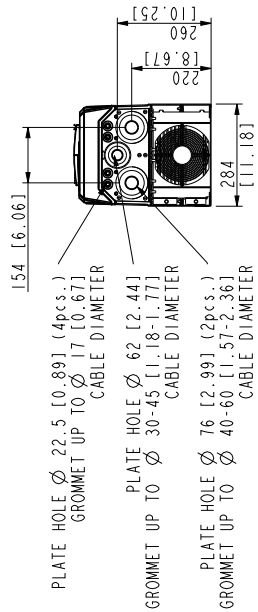


# Frame R7, IP55 (UL Type 12)

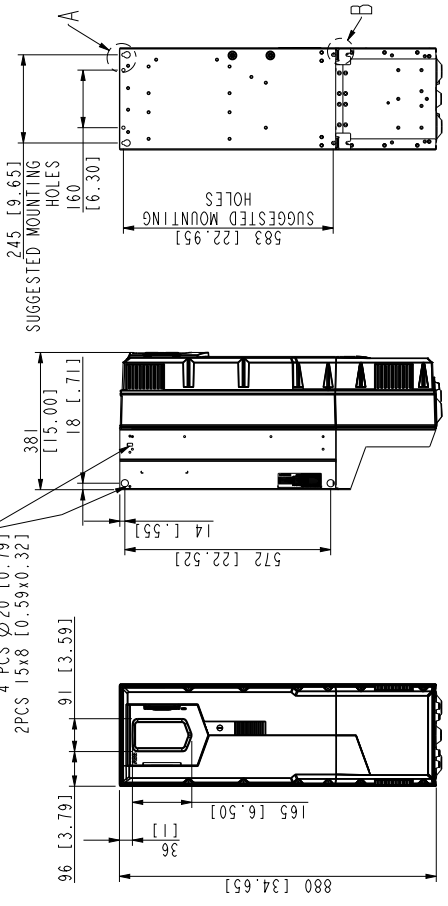
IP55



first angle projection. Original drawing made with 3D CAD. Set the correct scale factor when adding dimensions after DMG/DAF conversion.



LIFTING POINT  
4 PCS  $\varnothing 20 [0.79]$   
2PCS  $15 \times 8 [0.59 \times 0.32]$



3AXD10000330932



# Frame R8, IP55 (UL Type 12)

First angle projection. Original drawing made with 3D CAD. Set the correct scale factor when adding dimensions after DMG/DFX conversion.

IP55

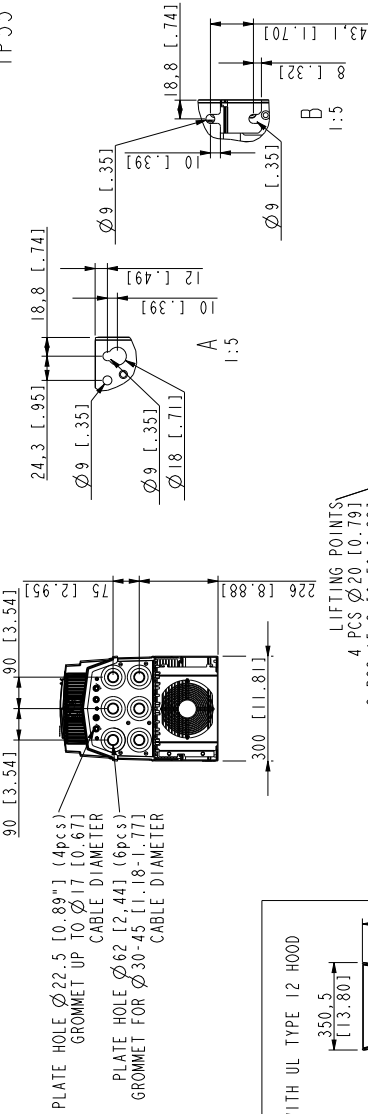
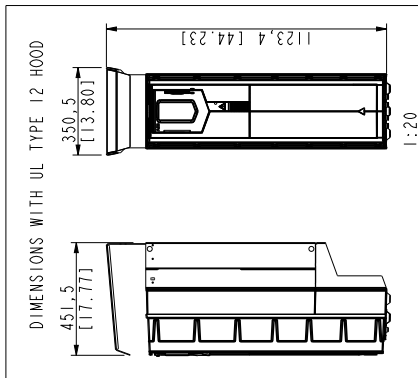


PLATE HOLE  $\varnothing 22.5$  [0.89"] (4pcs)  
 GROMMET UP TO  $\varnothing 17$  [0.67]  
 CABLE DIAMETER  
 PLATE HOLE  $\varnothing 62$  [2.44] (6pcs)  
 GROMMET FOR  $\varnothing 30-45$  [1.18-1.77]  
 CABLE DIAMETER



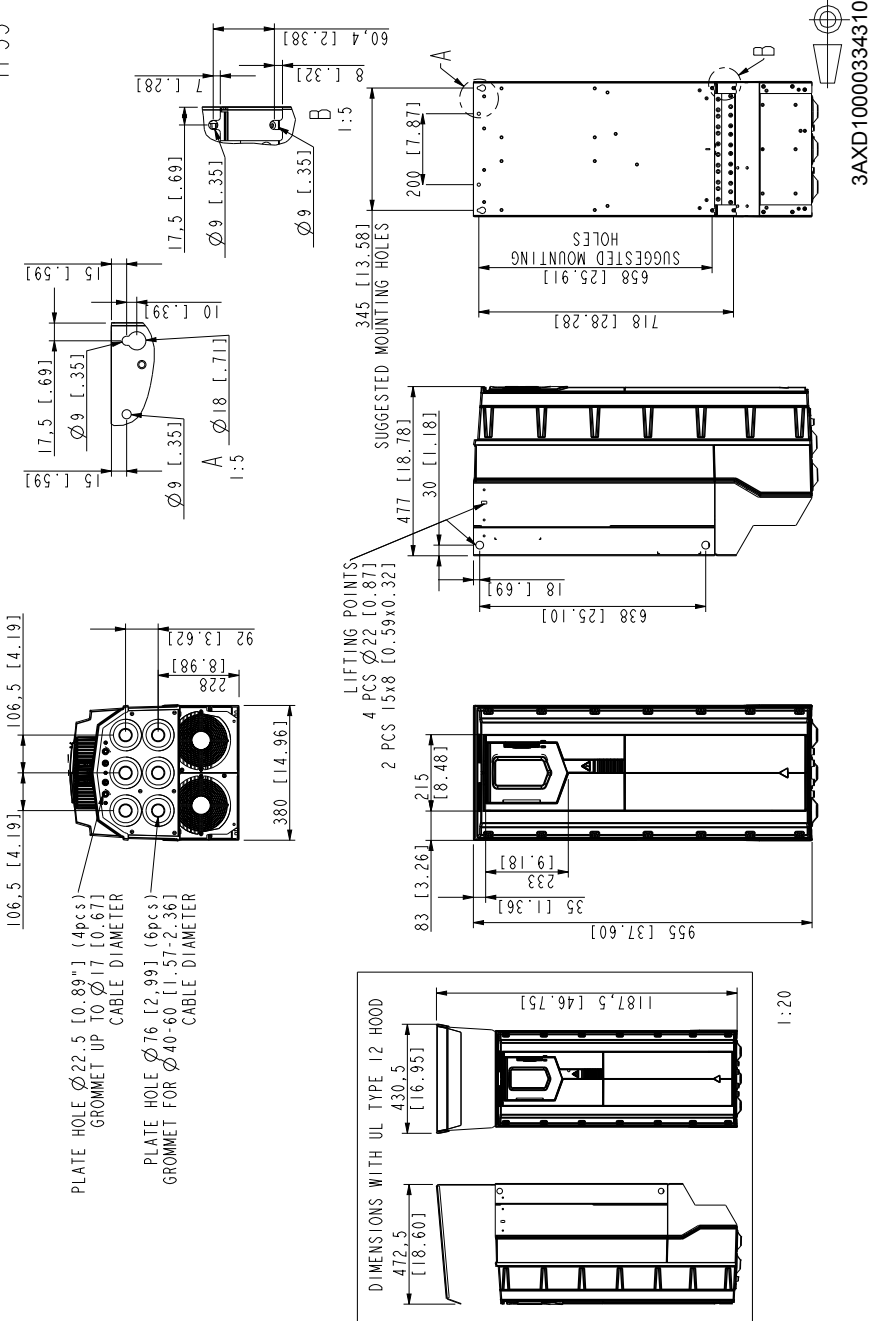
3AXD10000332446




# Frame R9, IP55 (UL Type 12)

IP55

First angle projection. Original drawing made with 3D CAD. Set the correct scale factor when adding dimensions after DMG/DXF conversion.





11

# Resistor braking

---

## Contents of this chapter

The chapter describes how to select the brake resistor and cables, protect the system, connect the brake resistor and enable resistor braking.

## Operation principle and hardware description

The brake chopper handles the energy generated by a decelerating motor. The chopper connects the brake resistor to the intermediate DC circuit whenever the voltage in the circuit exceeds the limit defined by the control program. Energy consumption by the resistor losses lowers the voltage until the resistor can be disconnected.

For frame R1...R3 internal brake choppers and resistors, see below. For R4...R9 external brake choppers and resistors, see [Resistor braking, frames R4...R9](#) on page [230](#).

---

## Resistor braking, frames R1...R3

### ■ Planning the braking system

#### Selecting the brake resistor

Frames R1...R3 have an built-in brake chopper as standard equipment. The brake resistor is selected using the table and equations presented in this section.

1. Determine the required maximum braking power  $P_{Rmax}$  for the application.  $P_{Rmax}$  must be smaller than  $P_{BRmax}$  given in the table on page 225 for the used drive type.
2. Calculate resistance  $R$  with Equation 1.
3. Calculate energy  $E_{Rpulse}$  with Equation 2.
4. Select the resistor so that the following conditions are met:
  - The rated power of the resistor must be greater than or equal to  $P_{Rmax}$ .
  - Resistance  $R$  must be between  $R_{min}$  and  $R_{max}$  given in the table for the used drive type.
  - The resistor must be able to dissipate energy  $E_{Rpulse}$  during the braking cycle  $T$ .

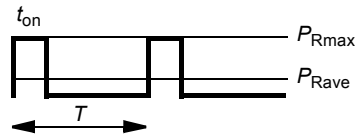
Equations for selecting the resistor:

$$\text{Eq. 1. } U_N = 400 \text{ V: } R = \frac{450000}{P_{Rmax}}$$

$$U_N = 480 \text{ V: } R = \frac{615000}{P_{Rmax}}$$

$$\text{Eq. 2. } E_{Rpulse} = P_{Rmax} \cdot t_{on}$$

$$\text{Eq. 3. } P_{Rave} = P_{Rmax} \cdot \frac{t_{on}}{T}$$



For conversion, use 1 hp = 746 W.

where

- $R$  = calculated brake resistor value (ohm). Make sure that:  $R_{min} < R < R_{max}$ .
- $P_{Rmax}$  = maximum power during the braking cycle (W)
- $P_{Rave}$  = average power during the braking cycle (W)
- $E_{Rpulse}$  = energy conducted into the resistor during a single braking pulse (J)
- $t_{on}$  = length of the braking pulse (s)
- $T$  = length of the braking cycle (s).



The table shows reference resistor types for the maximum braking power.

Type ACS580 -01-	$R_{min}$	$R_{max}$	$P_{BRmax}$		Reference resistor types
	ohm	ohm	kW	hp	Danotherm
<b>3-phase <math>U_N = 400</math> or <math>480</math> V (380...415 V, 440...480 V)</b>					
02A7-4	52	864	0.6	0.8	CBH 360 C T 406 210R
03A4-4	52	582	0.9	1.2	CBH 360 C T 406 210R
04A1-4	52	392	1.4	1.9	CBH 360 C T 406 210R
05A7-4	52	279	2.0	2.7	CBH 360 C T 406 210R
07A3-4	52	191	2.9	3.9	CBR-V 330 D T 406 78R UL
09A5-4	52	140	3.9	5.2	CBR-V 330 D T 406 78R UL
12A7-4	52	104	5.3	7.1	CBR-V 330 D T 406 78R UL
018A-4	31	75	7.3	9.8	CBR-V 560 D HT 406 39R UL
026A-4	22	52	10	13.6	CBR-V 560 D HT 406 39R UL
033A-4	16	37	15	20.1	CBT-H 560 D HT 406 19R
039A-4	10	27	20	26.8	CBT-H 760 D HT 406 16R
046A-4	10	22	25	33.5	CBT-H 760 D HT 406 16R

3AXD10000395897.xls E

### Symbols

$R_{min}$  = minimum allowed brake resistor that can be connected to the brake chopper

$R_{max}$  = maximum allowed brake resistor that allows  $P_{BRmax}$

$P_{BRmax}$  = maximum braking capacity of the drive, must exceed the desired braking power.



**WARNING!** Do not use a brake resistor with a resistance below the minimum value specified for the particular drive. The drive and the internal chopper are not able to handle the overcurrent caused by the low resistance.

---

## Selecting and routing the brake resistor cables

Use a shielded cable with the conductor size specified in section [Terminal and lead-through data for the power cables](#) on page 178.

### Minimizing electromagnetic interference

Follow these rules in order to minimize electromagnetic interference caused by the rapid current changes in the resistor cables:

- Install the cables away from other cable routes.
- Avoid long parallel runs with other cables. The minimum parallel cabling separation distance should be 0.3 meters.
- Cross the other cables at right angles.
- Keep the cable as short as possible in order to minimize the radiated emissions and stress on chopper IGBTs. The longer the cable the higher the radiated emissions, inductive load and voltage peaks over the IGBT semiconductors of the brake chopper.

### Maximum cable length

The maximum length of the resistor cable(s) is 10 m (33 ft).

### EMC compliance of the complete installation

**Note:** ABB has not verified that the EMC requirements are fulfilled with external user-defined brake resistors and cabling. The EMC compliance of the complete installation must be considered by the customer.

---

## Placing the brake resistor

Install the resistors outside the drive in a place where they will cool.

Arrange the cooling of the resistor in a way that:

- no danger of overheating is caused to the resistor or nearby materials
- the temperature of the room the resistor is located in does not exceed the allowed maximum.

Supply the resistor with cooling air/water according to the resistor manufacturer's instructions.



**WARNING!** The materials near the brake resistor must be non-flammable. The surface temperature of the resistor is high. Air flowing from the resistor is of hundreds of degrees Celsius. If the exhaust vents are connected to a ventilation system, ensure that the material withstands high temperatures. Protect the resistor against physical contact.

---

## Protecting the system in brake circuit fault situations

### Protecting the system in cable and brake resistor short-circuit situations

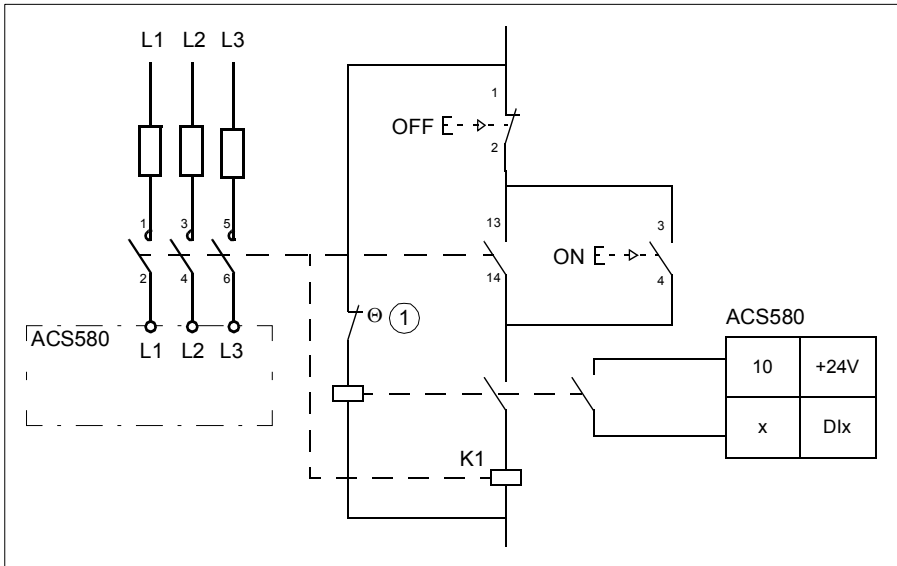
The input fuses will also protect the resistor cable when it is identical with the input cable.

### Protecting the system against thermal overload

Equipping the drive with a main contactor is highly recommended for safety reasons. Wire the contactor so that it opens in case the resistor overheats. This is essential for safety since the drive will not otherwise be able to interrupt the main supply if the chopper remains conductive in a fault situation. An example wiring diagram is shown below. We recommend that you use resistors equipped with a thermal switch (1) inside the resistor assembly. The switch indicates overtemperature and overload.

---

We recommend that you also wire the thermal switch to a digital input of the drive.



## ■ Mechanical installation

All brake resistors must be installed outside the drive. Follow the resistor manufacturer's instructions.

## ■ Electrical installation

### Checking the insulation of the assembly

Follow the instructions given in section [Brake resistor assembly for R1...R3](#) on page 91.

### Connection diagram

See section [Connection diagram](#) page 96.

### Connection procedure

See section [Grounding shelf](#) on page 102.

Connect the thermal switch of the brake resistor as described in section [Protecting the system against thermal overload](#) on page 227.

## ■ Start-up

**Note:** Protective oil on the brake resistors will burn off when the brake resistor is used for the first time. Make sure that the airflow is sufficient.

Set the following parameters:

1. Disable the overvoltage control of the drive with parameter 30.30 Overvoltage control.
2. Set the source of parameter 31.01 External event 1 source to point to the digital input where the thermal switch of the brake resistor is wired.
3. Set parameter 31.02 External event 1 type to Fault.
4. Enable the brake chopper by parameter 43.06 Brake chopper enable. If Enabled with thermal model is selected, set also the brake resistor overload protection parameters 43.08 and 43.09 according to the application.
5. Check the resistance value of parameter 43.10 Brake resistance.

With these parameter settings, the drive generates a fault and coasts to a stop on brake resistor overtemperature.



**WARNING!** If the drive is equipped with a brake chopper but the chopper is not enabled by the parameter setting, the internal thermal protection of the drive against resistor overheating is not in use. In this case, the brake resistor must be disconnected.

---

## Resistor braking, frames R4...R9

### ■ Planning the braking system

Frames R4...R9 need external brake choppers and resistors. The table below lists suitable choppers and resistors.

For more information, see *NBRA-6xx Braking Choppers Installation and start-up guide* (3AFY58920541 [English]) and *ACS-BRK Brake Units Installation and start-up guide* (3AFY61514309 [English]).

Type ACS580-01	Brake chopper	$R_{\min}$	$R_{\max}$	$P_{BR\max}$		Reference resistor types <sup>1)</sup>
		ohm	ohm	kW	hp	
<b>3-phase <math>U_N = 400</math> or <math>480</math> V (380...415 V, 440...480 V)</b>						
062A-4	ACS-BRK-D	7.8	18.1	30	40.2	Built in with the brake chopper
073A-4	ACS-BRK-D	7.8	13.1	42	56.3	Built in with the brake chopper
088A-4	ACS-BRK-D	7.8	10.7	51	68.4	Built in with the brake chopper
106A-4	NBRA-658	1.3	8.7	63	84.5	SAFUR125F500
145A-4	NBRA-658	1.3	7.1	77	103.2	SAFUR125F500
169A-4	NBRA-658	1.3	5.2	105	140.8	SAFUR200F500
206A-4	NBRA-658	1.3	4.3	126	168.9	SAFUR200F500
246A-4	NBRA-658	1.3	3.5	156	209.1	2xSAFUR125F500
293A-4	NBRA-658	1.3	2.9	187	250.7	2xSAFUR210F575
363A-4	NBRA-659	0.7	2.4	227	304.3	2xSAFUR200F500
430A-4	NBRA-659	0.7	1.9	284	380.7	2xSAFUR200F500

<sup>1)</sup> Other resistors can be used if they meet the minimum resistance value and required power values.

3AXD10000395897.xls E

### Symbols

$R_{\min}$  = minimum allowed brake resistor that can be connected to the brake chopper

$R_{\max}$  = maximum allowed brake resistor that allows  $P_{BR\max}$

$P_{BR\max}$  = maximum braking capacity of the drive, must exceed the desired braking power.

# 12

## Safe torque off function

---

### Contents of this chapter

This chapter describes the Safe torque off (STO) function of the drive and gives instructions for its use.

### Description

The Safe torque off function can be used, for example, to construct safety or supervision circuits that stop the drive in case of danger (such as an emergency stop circuit). Another possible application is a prevention of unexpected start-up switch that enables short-time maintenance operations like cleaning or work on non-electrical parts of the machinery without switching off the power supply to the drive.

**Note:** The Safe torque off function does not disconnect the voltage from the drive, see the warning on page [240](#).

When activated, the Safe torque off function disables the control voltage of the power semiconductors of the drive output stage (A, see diagram on page [233](#)), thus preventing the drive from generating the torque required to rotate the motor. If the motor is running when Safe torque off is activated, it coasts to a stop.

The Safe torque off function has a redundant architecture, that is, both channels must be used in the safety function implementation. The safety data given in this manual is calculated for redundant use, and does not apply if both channels are not used.

---

The Safe torque off function of the drive complies with these standards:

<b>Standard</b>	<b>Name</b>
EN 60204-1:2016	<i>Safety of machinery – Electrical equipment of machines – Part 1: General requirements</i>
IEC 61326-3-1:2008	<i>Electrical equipment for measurement, control and laboratory use – EMC requirements – Part 3-1: Immunity requirements for safety-related systems and for equipment intended to perform safety-related functions (functional safety) – General industrial applications</i>
IEC 61508-1:2010	<i>Functional safety of electrical/electronic/programmable electronic safety-related systems – Part 1: General requirements</i>
IEC 61508-2:2010	<i>Functional safety of electrical/electronic/programmable electronic safety-related systems – Part 2: Requirements for electrical/electronic/programmable electronic safety-related systems</i>
IEC 61511-1:2016	<i>Functional safety – Safety instrumented systems for the process industry sector</i>
IEC 61800-5-2:2016 EN 61800-5-2:2007	<i>Adjustable speed electrical power drive systems – Part 5-2: Safety requirements – Functional</i>
IEC 62061:2015 EN 62061:2005 + AC:2010 + A1:2013 +A2:2015	<i>Safety of machinery – Functional safety of safety-related electrical, electronic and programmable electronic control systems</i>
EN ISO 13849-1:2015	<i>Safety of machinery – Safety-related parts of control systems – Part 1: General requirements</i>
EN ISO 13849-2:2012	<i>Safety of machinery – Safety-related parts of control systems – Part 2: Validation</i>

The function also corresponds to Prevention of unexpected start-up as specified by EN 1037:1995 + A1:2008 and Uncontrolled stop (stop category 0) as specified in EN/IEC 60204-1:2016.

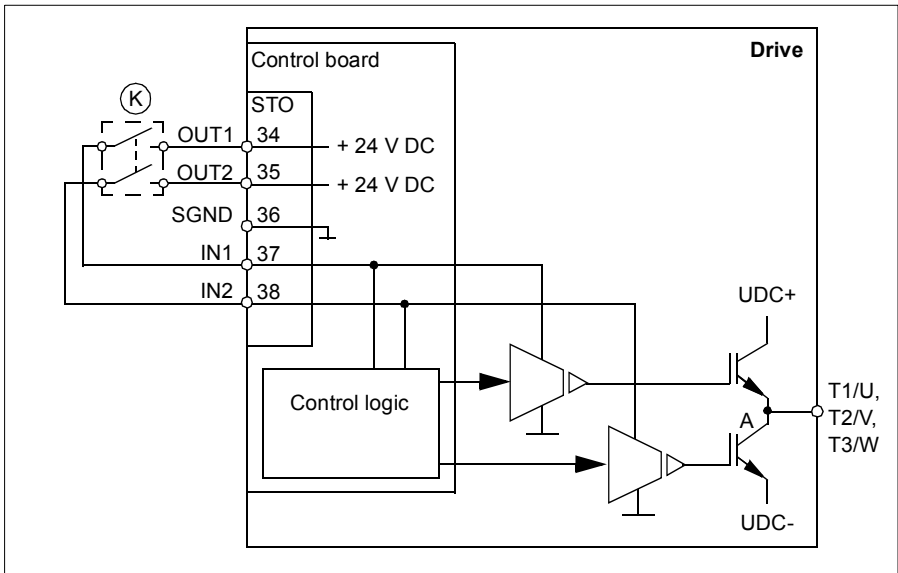
### ■ **Compliance with the European Machinery Directive**

See section [Compliance with the European Machinery Directive 2006/42/EC 2nd Edition – June 2010](#) on page 196.

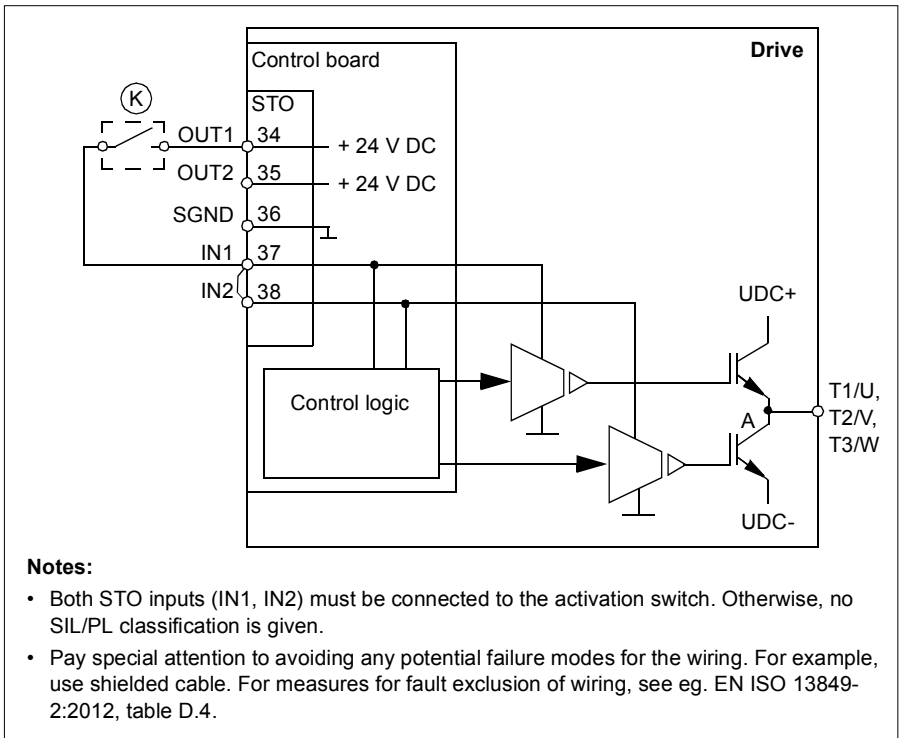


## Connection principle

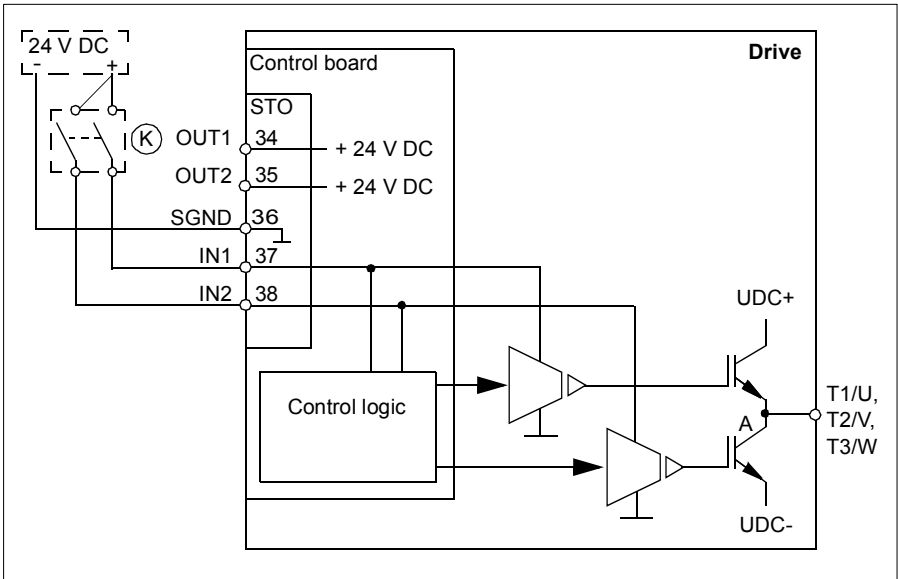
### ■ Connection with internal +24 V DC power supply



■ Connection with internal +24 V DC power supply, single line

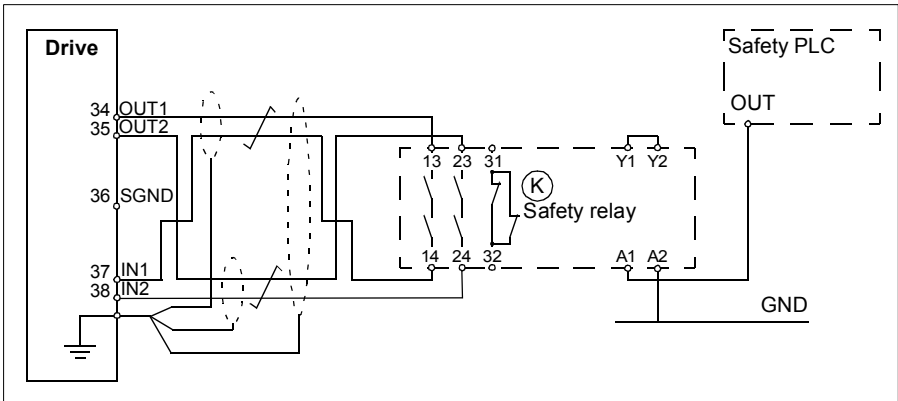


■ Connection with external +24 V DC power supply

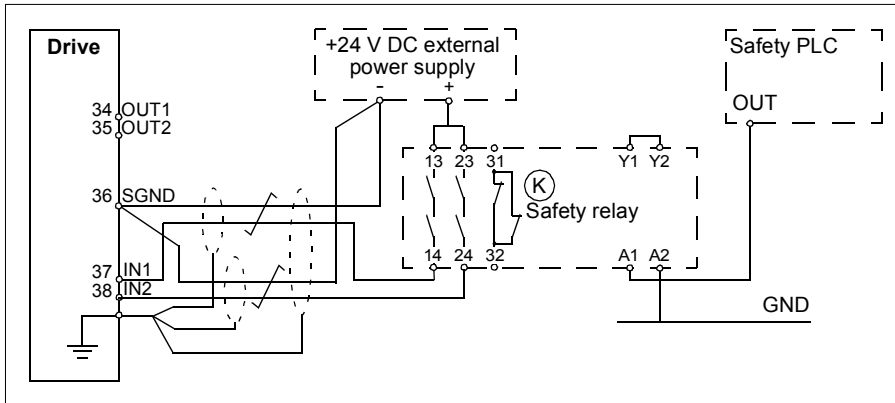


Wiring examples

An example of a Safe torque off wiring with internal +24 V DC power supply is shown below.



An example of a Safe torque off wiring with external +24 V DC power supply is shown below.



For information on the specifications of the STO input, see chapter [Control connection data](#) (page 186).

### ■ Activation switch

In the wiring diagram above (page 235), the activation switch has the designation (K). This represents a component such as a manually operated switch, an emergency stop push button switch, or the contacts of a safety relay or safety PLC.

- If a manually operated activation switch is used, the switch must be of a type that can be locked out to the open position.
- Inputs IN1 and IN2 must open/close within 200 ms of each other.
- A CPTC-02 thermistor protection module can also be used. For more information, see *CPTC-02 ATEX-certified thermistor protection module, Ex II (2) GD (+L537+Q971) user's manual* (3AXD50000030058 [English]).

### ■ Cable types and lengths

- Double-shielded twisted-pair cable is recommended.
- Maximum cable length 300 m (984 ft) between activation switch (K) and drive control board.

**Note:** A short-circuit in the wiring between the switch and an STO terminal causes a dangerous fault and therefore it is recommended to use a safety relay (including wiring diagnostics), or a wiring method (shield grounding, channel separation) which reduces or eliminates the risk caused by the short-circuit.

**Note:** The voltage at the INx terminals of each drive must be at least 13 V DC to be interpreted as “1”. Pulse tolerance of input channels is 1 ms.

## ■ Grounding of protective shields

- Ground the shield in the cabling between the activation switch and the control board at the control board.
- Ground the shield in the cabling between two control boards at one control board only.

## Operation principle

1. The Safe torque off activates (the activation switch is opened, or safety relay contacts open).
2. The STO inputs IN1 and IN2 on the drive control board de-energize.
3. The control board cuts off the control voltage from the drive IGBTs.
4. The control program generates an indication as defined by parameter 31.22 STO indication run/stop, see *ACS580 standard control program firmware manual* (3AXD50000016097 [English]).

The parameter selects which indications are given when one or both Safe torque off (STO) signals are switched off or lost. The indications also depend on whether the drive is running or stopped when this occurs.

**Note:** This parameter does not affect the operation of the STO function itself. The STO function will operate regardless of the setting of this parameter: a running drive will stop upon removal of one or both STO signals, and will not start until both STO signals are restored and all faults reset.

**Note:** The loss of only one STO signal always generates a fault as it is interpreted as a malfunction of STO hardware or wiring.

5. Motor coasts to a stop (if running). The drive cannot restart while the activation switch or safety relay contacts are open. After the contacts close, a new start command is required to start the drive.

## Start-up including acceptance test

To ensure the safe operation of a safety function, validation is required. The final assembler of the machine must validate the function by performing an acceptance test. The acceptance test must be performed

- at initial start-up of the safety function
- after any changes related to the safety function (circuit boards, wiring, components, settings, etc.)
- after any maintenance work related to the safety function.

## ■ Competence

The acceptance test of the safety function must be carried out by an competent person with adequate expertise and knowledge of the safety function as well as

---

functional safety, as required by IEC 61508-1 clause 6. The test procedures and report must be documented and signed by this person.

#### ■ **Acceptance test reports**


Signed acceptance test reports must be stored in the logbook of the machine. The report shall include documentation of start-up activities and test results, references to failure reports and resolution of failures. Any new acceptance tests performed due to changes or maintenance shall be logged into the logbook.

---

## ■ Acceptance test procedure

After wiring the Safe torque off function, validate its operation as follows.

If a CPTC-02 module is installed, see *CPTC-02 ATEX-certified thermistor protection module, Ex II (2) GD (+L537+Q971) user's manual* (3AXD50000030058 [English]).

<b>Action</b>	<input checked="" type="checkbox"/>
 <b>WARNING!</b> Follow the <a href="#">Safety instructions</a> , page 13. Ignoring the instructions can cause physical injury or death, or damage to the equipment.	<input type="checkbox"/>
Ensure that the drive can be run and stopped freely during start-up.	<input type="checkbox"/>
Stop the drive (if running), switch the input power off and isolate the drive from the power line by a disconnecter.	<input type="checkbox"/>
Check the Safe torque off circuit connections against the wiring diagram.	<input type="checkbox"/>
Close the disconnecter and switch the power on.	<input type="checkbox"/>
<p>Test the operation of the STO function when the motor is stopped.</p> <ul style="list-style-type: none"> <li>• Give a stop command for the drive (if running) and wait until the motor shaft is at a standstill.</li> </ul> <p>Ensure that the drive operates as follows:</p> <ul style="list-style-type: none"> <li>• Open the STO circuit. The drive generates an indication if one is defined for the 'stopped' state in parameter 31.22 STO indication run/stop. For the description of the warning, see <i>ACS580 standard control program firmware manual</i> (3AXD50000016097 [English]).</li> <li>• Give a start command to verify that the STO function blocks the drive's operation. The drive displays a warning. The motor should not start.</li> <li>• Close the STO circuit.</li> <li>• Reset any active faults. Restart the drive and check that the motor runs normally.</li> </ul>	<input type="checkbox"/>
<p>Test the operation of the STO function when the motor is running.</p> <ul style="list-style-type: none"> <li>• Start the drive and ensure the motor is running.</li> <li>• Open the STO circuit. The motor should stop. The drive generates an indication if one is defined for the 'running' state in parameter 31.22 STO indication run/stop. For the description of the warning, see the drive firmware manual).</li> <li>• Reset any active faults and try to start the drive.</li> <li>• Ensure that the motor stays at a standstill and the drive operates as described above in testing the operation when the motor is stopped.</li> <li>• Close the STO circuit.</li> <li>• Reset any active faults. Restart the drive and check that the motor runs normally.</li> </ul>	<input type="checkbox"/>

Action	<input checked="" type="checkbox"/>
<p>Test the operation of the failure detection of the drive. The motor can be stopped or running.</p> <ul style="list-style-type: none"> <li>• Open the 1st channel of the STO circuit. If the motor was running, it should coast to a stop. The drive generates a <i>FA81 Safe Torque Off 1 loss</i> fault indication (see the drive firmware manual).</li> <li>• Give a start command to verify that the STO function blocks the drive's operation. The motor should not start.</li> <li>• Close the STO circuit.</li> <li>• Reset any active faults. Restart the drive and check that the motor runs normally.</li> <li>• Open the 2nd channel of the STO circuit. If the motor was running, it should coast to a stop. The drive generates a <i>FA82 Safe Torque Off 2 loss</i> fault indication (see the drive firmware manual).</li> <li>• Give a start command to verify that the STO function blocks the drive's operation. The motor should not start.</li> <li>• Close the STO circuit.</li> <li>• Reset any active faults. Restart the drive and check that the motor runs normally.</li> </ul>	<input type="checkbox"/>
<p>Document and sign the acceptance test report which verifies that the safety function is safe and accepted for operation.</p>	<input type="checkbox"/>

## Use

1. Open the activation switch, or activate the safety functionality that is wired to the STO connection.
2. STO inputs on the drive control board de-energize, and the drive control board cuts off the control voltage from the output IGBTs.
3. The control program generates an indication as defined by parameter 31.22 STO indication run/stop (see the drive firmware manual).
4. The motor coasts to a stop (if running). The drive will not restart while the activation switch or safety relay contacts are open.
5. Deactivate the STO by closing the activation switch, or resetting the safety functionality that is wired to the STO connection.
6. Reset any faults before restarting.



**WARNING!** The Safe torque off function does not disconnect the voltage of the main and auxiliary circuits from the drive. Therefore maintenance work on electrical parts of the drive or the motor can only be carried out after isolating the drive from the DC supply.





**WARNING!** With permanent magnet motors or synchronous reluctance [SynRM] motors only: In case of a multiple IGBT power semiconductor failure, the drive system can produce an alignment torque which maximally rotates the motor shaft by  $180/p$  degrees (with permanent magnet motors) or  $180/2p$  degrees (with synchronous reluctance [SynRM] motors) regardless of the activation of the Safe torque off function.  $p$  denotes the number of pole pairs.

---

**Notes:**

- If a running drive is stopped by using the Safe torque off function, the drive will cut off the motor supply voltage and the motor will coast to a stop. If this causes danger or is not otherwise acceptable, stop the drive and machinery using the appropriate stop mode before activating the Safe torque off function.
  - The Safe torque off function overrides all other functions of the drive unit.
  - The Safe torque off function is ineffective against deliberate sabotage or misuse.
  - The Safe torque off function has been designed to reduce the recognized hazardous conditions. In spite of this, it is not always possible to eliminate all potential hazards. The assembler of the machine must inform the final user about the residual risks.
  - Diagnostics of the Safe torque off function during a power outage are not available. Using the +24 V keep-alive option module CMOD-02 option with the drive does not power on the STO diagnostics.
-

## Maintenance

After the operation of the circuit is validated at start-up, the STO function shall be maintained by periodic proof testing. In high demand mode of operation, the maximum proof test interval is 20 years. In low demand mode of operation, the maximum proof test interval is 5 or 2 years; see section [Safety data](#) on page 244. It is assumed that all dangerous failures of the STO circuit are detected by the proof test. To perform the proof test, do the [Acceptance test procedure](#) (page 239).

**Note:** See also the Recommendation of Use CNB/M/11.050 (published by the European co-ordination of Notified Bodies) concerning dual-channel safety-related systems with electromechanical outputs:

- When the safety integrity requirement for the safety function is SIL 3 or PL e (cat. 3 or 4), the proof test for the function must be performed at least every month.
- When the safety integrity requirement for the safety function is SIL 2 (HFT = 1) or PL d (cat. 3), the proof test for the function must be performed at least every 12 months.

The STO function does not contain any electromechanical components.

In addition to proof testing, it is a good practice to check the operation of the function when other maintenance procedures are carried out on the machinery.

Include the Safe torque off operation test described above in the routine maintenance program of the machinery that the drive runs.

If any wiring or component change is needed after start up, or the parameters are restored, follow the test given in section [Acceptance test procedure](#) (page 239).

Use only spare parts approved by ABB.

Record all maintenance and proof test activities in the machine logbook.

### ■ Competence

The maintenance and proof test activities of the safety function must be carried out by a competent person with adequate expertise and knowledge of the safety function as well as functional safety, as required by IEC 61508-1 clause 6.

## Fault tracing

The indications given during the normal operation of the Safe torque off function are selected by drive parameter 31.22 STO indication run/stop (see the drive firmware manual).

The diagnostics of the Safe torque off function cross-compare the status of the two STO channels. In case the channels are not in the same state, a fault reaction function is performed and the drive trips on an “STO hardware failure” fault. An attempt to use the STO in a non-redundant manner, for example activating only one channel, will trigger the same reaction.

---

See the drive firmware manual for the indications generated by the drive, and for details on directing fault and warning indications to an output on the control board for external diagnostics.

Any failures of the Safe torque off function must be reported to ABB.



## Safety data

The safety data for the Safe torque off function is given below.

**Note:** The safety data is calculated for redundant use, and does not apply if both STO channels are not used.

Frame size	IEC 61508 and IEC/EN 61800-5-2					
	SIL	PFH (1/h)	PFD <sub>avg</sub> (T <sub>1</sub> = 2 a)	HFT	SFF (%)	Lifetime (a)
R1	3	2.54E-09	2.23E-05	1	>99	20
R2	3	2.54E-09	2.23E-05	1	>99	20
R3	3	2.54E-09	2.23E-05	1	>99	20
R4	3	2.54E-09	2.23E-05	1	>99	20
R5	3	2.54E-09	2.23E-05	1	>99	20
R6	3	1.01E-09	9.26E-06	1	>99	20
R7	3	1.01E-09	9.26E-06	1	>99	20
R8	3	1.18E-09	1.08E-05	1	>99	20
R9	3	1.18E-09	1.08E-05	1	>99	20

Frame size	EN ISO 13849-1					IEC/EN 62061	IEC 61511
	PL	CCF (%)	MTTF <sub>D</sub> <sup>1</sup> (a)	DC <sup>2</sup> (%)	Category	SILCL	SIL
R1	e	80	2938	≥90	3	3	3
R2	e	80	2938	≥90	3	3	3
R3	e	80	2935	≥90	3	3	3
R4	e	80	2932	≥90	3	3	3
R5	e	80	2934	≥90	3	3	3
R6	e	80	10876	≥90	3	3	3
R7	e	80	10876	≥90	3	3	3
R8	e	80	2489	≥90	3	3	3
R9	e	80	2489	≥90	3	3	3

<sup>1</sup> 100 years must be used for calculation of a safety loop.

3AXD00000586715.xls J

<sup>2</sup> According to standard EN ISO 13849-1 table E.1

- The following temperature profile is used in safety value calculations:
  - 670 on/off cycles per year with  $\Delta T = 71.66 \text{ }^\circ\text{C}$
  - 1340 on/off cycles per year with  $\Delta T = 61.66 \text{ }^\circ\text{C}$
  - 30 on/off cycles per year with  $\Delta T = 10.0 \text{ }^\circ\text{C}$
  - 32 °C board temperature at 2.0% of time
  - 60 °C board temperature at 1.5% of time
  - 85 °C board temperature at 2.3% of time.

- The STO is a type A safety component as defined in IEC 61508-2.
  - Relevant failure modes:
    - The STO trips spuriously (safe failure)
    - The STO does not activate when requested
- A fault exclusion on the failure mode “short circuit on printed circuit board” has been made (EN 13849-2, table D.5). The analysis is based on an assumption that one failure occurs at one time. No accumulated failures have been analyzed.
- STO reaction time (shortest detectable break): 1 ms
  - STO response time: 2 ms (typical), 5 ms (maximum)
  - Fault detection time: Channels in different states for longer than 200 ms
  - Fault reaction time: Fault detection time + 10 ms
  - STO fault indication (parameter 31.22) delay: < 500 ms
  - STO warning indication (parameter 31.22) delay: < 1000 ms
  - Maximum cable length 300 m (984 ft) between activation switch (K) and drive control board.
  - The voltage at the INx terminals of each drive must be at least 13 V DC to be interpreted as “1”. Pulse tolerance of input channels is 1 ms.
-

## ■ Abbreviations

Abbr.	Reference	Description
Cat.	EN ISO 13849-1:2015	Classification of the safety-related parts of a control system in respect of their resistance to faults and their subsequent behavior in the fault condition, and which is achieved by the structural arrangement of the parts, fault detection and/or by their reliability. The categories are: B, 1, 2, 3 and 4.
CCF	EN ISO 13849-1:2015	Common cause failure (%)
DC	EN ISO 13849-1:2015	Diagnostic coverage
FIT	IEC 61508	Failure in time: 1E-9 hours
HFT	IEC 61508	Hardware fault tolerance
MTTF	EN ISO 13849-1:2015	Mean time to dangerous failure: (The total number of life units) / (the number of dangerous, undetected failures) during a particular measurement interval under stated conditions
PFD	IEC 61508	Average probability of dangerous failure on demand
PF	IEC 61508	Average frequency of dangerous failures per hour
PL	EN ISO 13849-1:2015	Performance level. Levels a...e correspond to SIL
SC	IEC 61508	Systematic capability
SFF	IEC 61508	Safe failure fraction (%)
SIL	IEC 61508	Safety integrity level (1...3)
SILCL	IEC 62061:2015 EN 62061:2005+ AC:2010+A1:2013+ A2:2015	Maximum SIL (level 1...3) that can be claimed for a safety function or subsystem
STO	IEC 61800-5-2:2016 EN 61800-5-2:2007	Safe torque off
T1	IEC 61508-6	Proof test interval. Proof test interval. T1 is a parameter used to define the probabilistic failure rate (PFH or PFD) for the safety function or subsystem. Performing a proof test at a maximum interval of T1 is required to keep the SIL capability valid. The same interval must be followed to keep the PL capability (EN ISO 13849) valid. Note that any T1 values given cannot be regarded as a guarantee or warranty. See also section <a href="#">Maintenance</a> on page 242.

## ■ Declaration of conformity

Declaration of conformity (3AXD10000302783) is available on the Internet. See section [Document library on the Internet](#) on the inside of the back cover.

## ■ Certificate

TÜV certificate (3AXD10000302787) is available on the Internet. See section [Document library on the Internet](#) on the inside of the back cover.

---





# 13

## Optional I/O extension modules

---

### Contents of this chapter

This chapter describes how to install and start up the optional CHDI-01, CMOD-01 and CMOD-02 multifunction extension modules. The chapter also contains diagnostics and technical data.

### CHDI-01 115/230 V digital input extension module

#### ■ Safety instructions



**WARNING!** Obey the safety instructions for the drive. If you ignore the safety instructions, injury or death can occur.

---

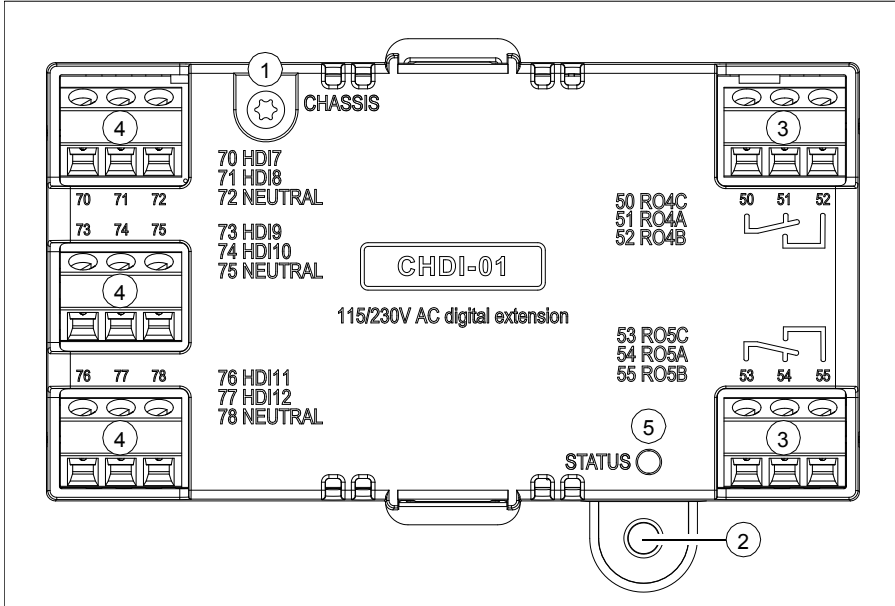
#### ■ Hardware description

##### Product overview

The CHDI-01 115/230 V digital input extension module expands the inputs of the drive control board. It has six high voltage inputs and two relay outputs.

---

## Layout



Item	Description	Additional information
1	Grounding screw	-
2	Hole for mounting screw	-
3	3-pin terminal blocks for relay outputs	Page <a href="#">251</a>
4	3-pin terminal block for 115/230 V inputs	Page <a href="#">251</a>
5	Diagnostic LED	Page <a href="#">253</a>

## ■ Mechanical installation

### Necessary tools and instructions

- Screwdriver and a set of suitable bits.

### Unpacking and checking the delivery

1. Open the option package.
2. Make sure that the package contains:
  - CHDI-01 high voltage digital extension module
  - mounting screw.
3. Make sure that there are no signs of damage.

## Installing the module

See chapter [Installing option modules](#) on page 132.

### ■ Electrical installation

#### Warnings



**WARNING!** Obey the instructions in chapter [Safety instructions](#) on page 13. If you ignore them, injury or death, or damage to the equipment can occur. If you are not a qualified electrician, do not do electrical work.

**Make sure that the drive is disconnected from the input power during installation. If the drive is already connected to the input power, wait for 5 minutes after disconnecting the input power.**

#### Necessary tools and instructions

- Screwdriver and a set of suitable bits
- Cabling tools

#### Terminal designations

For more detailed information on the connectors, see section [Technical data](#) on page 262.

#### Relay outputs

Marking		Description
50	RO4C	Common, C
51	RO4A	Normally closed, NC
52	RO4B	Normally open, NO
53	RO5C	Common, C
54	RO5A	Normally closed, NC
55	RO5B	Normally open, NO

#### 115/230 V inputs

Marking		Description
70	HDI7	115/230 V input 1
71	HDI8	115/230 V input 2
72	NEUTRAL <sup>1)</sup>	Neutral point
73	HDI9	115/230 V input 3
74	HDI10	115/230 V input 4
75	NEUTRAL <sup>1)</sup>	Neutral point

Marking		Description
76	HDI11	115/230 V input 5
77	HDI12	115/230 V input 6
78	NEUTRAL <sup>1)</sup>	Neutral point

<sup>1)</sup> Neutral points 72, 75 and 78 are connected.

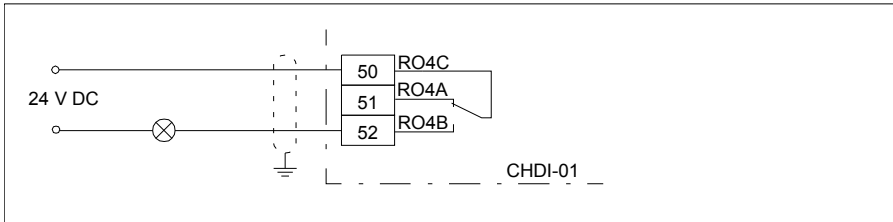
### General cabling instructions

Obey the instructions given in chapter [Planning the electrical installation](#) on page 65.

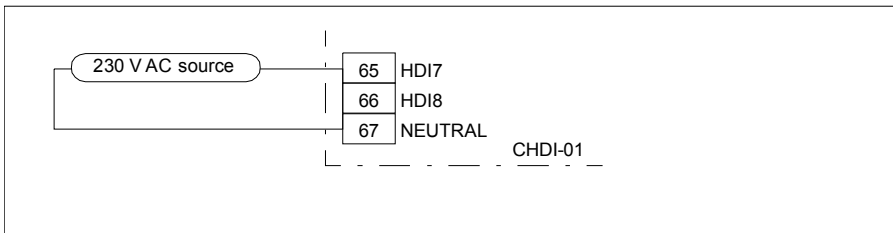
### Wiring

Connect the external control cables to the applicable module terminals. Ground the outer shield of the cables 360 degrees under a grounding clamp on the grounding shelf of the control cables.

#### Relay output connection example



#### Digital input connection example



## ■ Start-up

### Setting the parameters

1. Power up the drive.
2. If no warning is shown,
  - make sure that the value of both parameter 15.02 Detected extension module and parameter 15.01 Extension module type is CHDI-01.

If warning A7AB Extension I/O configuration failure is shown,

  - make sure that the value of parameter 15.02 Detected extension module is CHDI-01.
  - set parameter 15.01 Extension module type to CHDI-01.

You can now see the parameters of the extension module in parameter group 15 I/O extension module.
3. Set the parameters of the extension module to applicable values.

#### Parameter setting example for relay output

This example shows how make relay output RO4 of the extension module indicate the reverse direction of rotation of the motor with a one-second delay.

Parameter	Setting
15.07 RO4 source	Reverse
15.08 RO4 ON delay	1 s
15.09 RO4 OFF delay	1 s

## ■ Diagnostics

### Faults and warning messages

Warning A7AB Extension I/O configuration failure.

### LEDs

The extension module has one diagnostic LED.

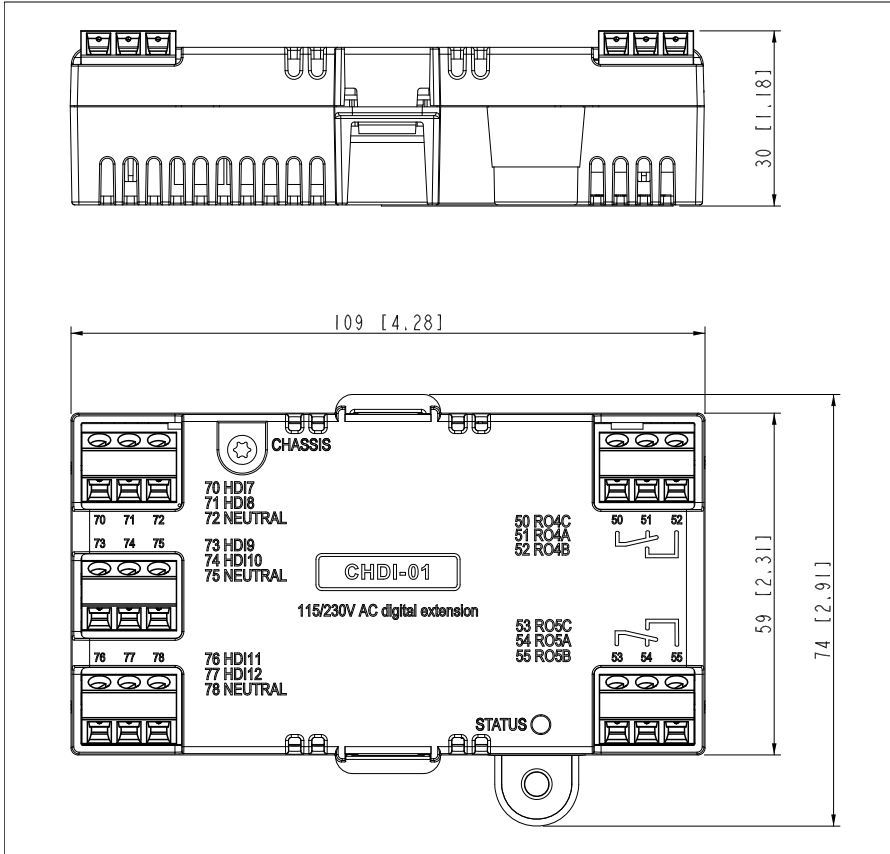
Color	Description
Green	The extension module is powered up.

---

■ **Technical data**

**Dimension drawing:**

The dimensions are in millimeters and [inches].

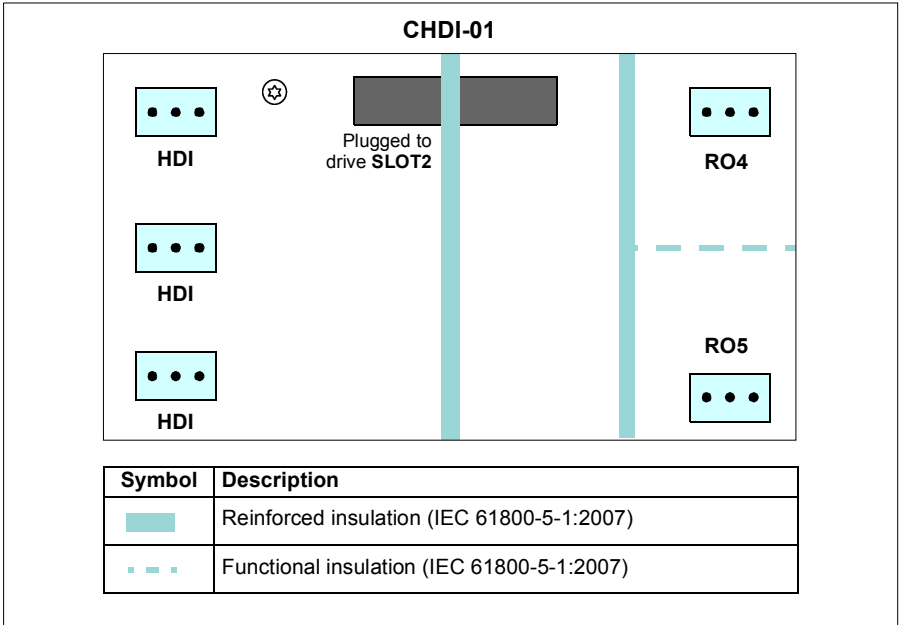


**Installation:** Into an option slot on the drive control board

**Degree of protection:** IP20

**Ambient conditions:** See the drive technical data.

**Package:** Cardboard

**Isolation areas:****Relay outputs (50...52, 53...55):**

- Wire size max. 1.5 mm<sup>2</sup>
- Minimum contact rating: 12 V / 10 mA
- Maximum contact rating: 250 V AC / 30 V DC / 2 A
- Maximum breaking capacity: 1500 VA

**115/230 V inputs (70...78):**

- Wire size max. 1.5 mm<sup>2</sup>
- Input voltage: 115 to 230 V AC ±10%
- Maximum current leakage in digital off state: 2 mA

## **CMOD-01 multifunction extension module (external 24 V AC/DC and digital I/O)**

### ■ **Safety instructions**



**WARNING!** Obey the safety instructions for the drive. If you ignore the safety instructions, injury or death can occur.

---

### ■ **Hardware description**

#### **Product overview**

The CMOD-01 multifunction extension module (external 24 V AC/DC and digital I/O) expands the outputs of the drive control board. It has two relay outputs and one transistor output, which can function as a digital or frequency output.

In addition, the extension module has an external power supply interface, which can be used to power up the drive control board in case the drive power supply fails. If you do not need the back-up power supply, you do not have to connect it because the module is powered from the drive control board by default.

**Note:** In frames R6...R9, you do not need a CMOD-01 module to use external 24 V AC/DC supply. The external supply is connected directly to terminals 40 and 41 on the control board.

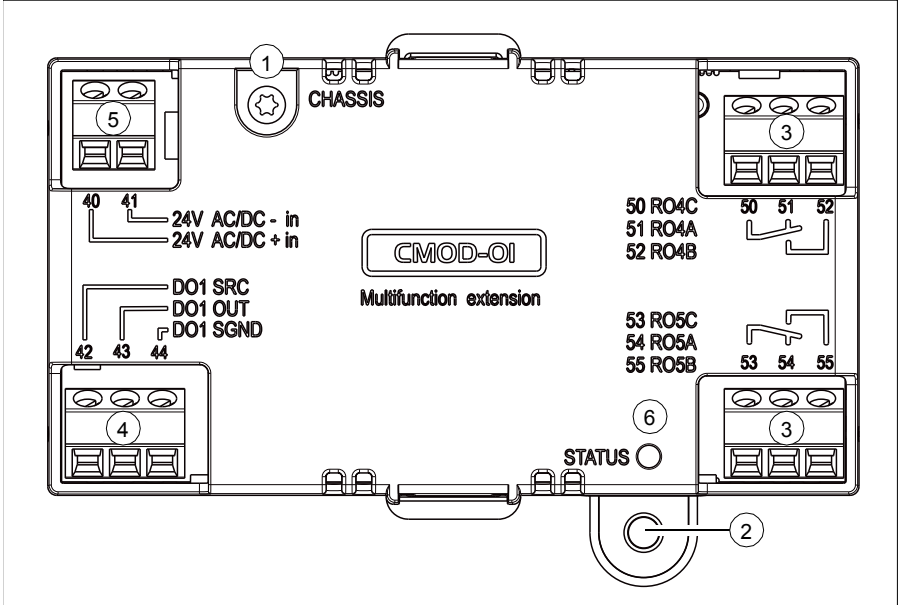


**WARNING!** Do not connect the +24 V AC cable to the control board ground when the control board is powered using an external 24 V AC supply.

---



## Layout



Item	Description	Additional information
1	Grounding screw	Page <a href="#">257</a>
2	Hole for mounting screw	Page <a href="#">257</a>
3	3-pin terminal blocks for relay outputs	Page <a href="#">258</a>
4	3-pin terminal block for transistor output	Page <a href="#">258</a>
5	2-pin terminal block for external power supply	Page <a href="#">258</a>
6	Diagnostic LED	Page <a href="#">261</a>

## ■ Mechanical installation

### Necessary tools and instructions

- Screwdriver and a set of suitable bits.

### Unpacking and checking the delivery

1. Open the option package.
2. Make sure that the package contains:
  - CMOD-01 multifunction extension module
  - mounting screw.
3. Make sure that there are no signs of damage.

## Installing the module

See chapter [Installing option modules](#) on page 132.

### ■ Electrical installation

#### Warnings



**WARNING!** Obey the instructions in chapter [Safety instructions](#) on page 13. If you ignore them, injury or death, or damage to the equipment can occur. If you are not a qualified electrician, do not do electrical work.

**Make sure that the drive is disconnected from the input power during installation. If the drive is already connected to the input power, wait for 5 minutes after disconnecting the input power.**

#### Necessary tools and instructions

- Screwdriver and a set of suitable bits
- Cabling tools

#### Terminal designations

For more detailed information on the connectors, see section [Technical data](#) on page 262.

#### Relay outputs

Marking		Description
50	RO4C	Common, C
51	RO4A	Normally closed, NC
52	RO4B	Normally open, NO
53	RO5C	Common, C
54	RO5A	Normally closed, NC
55	RO5B	Normally open, NO

#### Transistor output

Marking		Description
42	DO1 SRC	Source input
43	DO1 OUT	Digital or frequency output
44	DO1 SGND	Ground (earth) potential

### External power supply

The external power supply is needed only if you want to connect an external back-up power supply for the drive control board.

**Note:** Frames R1...R5 need CMOD-01 for connecting external power supply, frames R6...R9 have corresponding terminals 40 and 41 on the control board.

Marking		Description
40	24V AC/DC + in	External 24 V (AC/DC) input
41	24V AC/DC - in	External 24 V (AC/DC) input

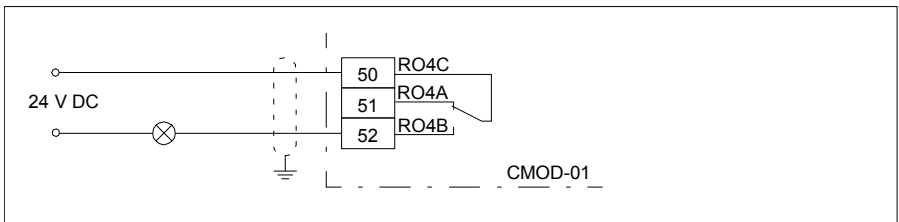
### General cabling instructions

Obey the instructions given in chapter [Planning the electrical installation](#) on page 65.

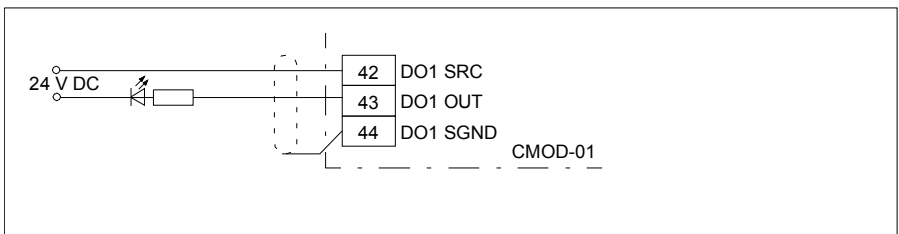
### Wiring

Connect the external control cables to the applicable module terminals. Ground the outer shield of the cables 360 degrees under a grounding clamp on the grounding shelf of the control cables.

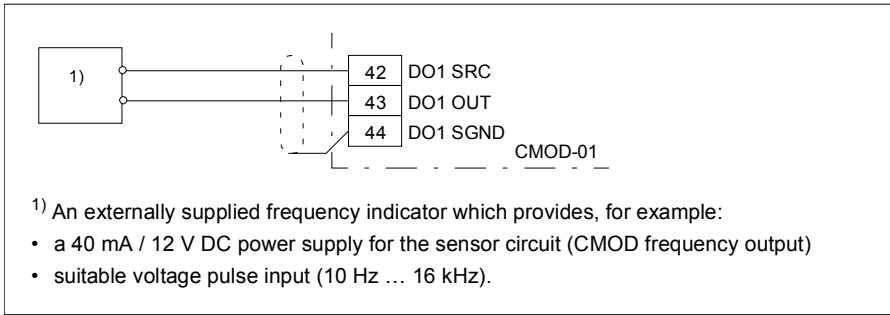
### Relay output connection example



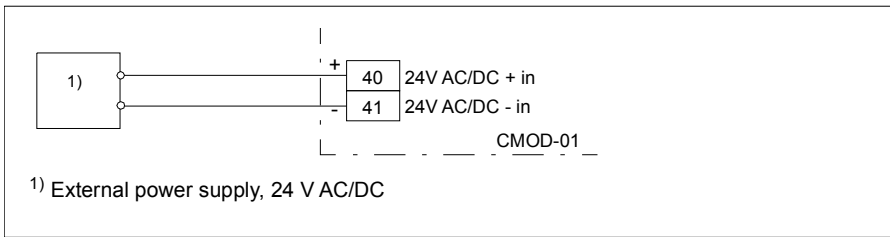
### Digital output connection example



Frequency output connection example



External power supply connection example




---

**⚠ WARNING!** Do not connect the +24 V AC cable to the control board ground when the control board is powered using an external 24 V AC supply.

---

■ **Start-up**

**Setting the parameters**

1. Power up the drive.
2. If no warning is shown,
  - make sure that the value of both parameter 15.02 Detected extension module and parameter 15.01 Extension module type is CMOD-01.

If warning A7AB Extension I/O configuration failure is shown,

  - make sure that the value of parameter 15.02 Detected extension module is CMOD-01.
  - set parameter 15.01 Extension module type to CMOD-01.

You can now see the parameters of the extension module in parameter group 15 I/O extension module.

3. Set the parameters of the extension module to applicable values.
-

Examples are given below.

#### Parameter setting example for relay output

This example shows how make relay output RO4 of the extension module indicate the reverse direction of rotation of the motor with a one-second delay.

Parameter	Setting
15.07 RO4 source	Reverse
15.08 RO4 ON delay	1 s
15.09 RO4 OFF delay	1 s

#### Parameter setting example for digital output

This example shows how to make digital output DO1 of the extension module indicate the reverse direction of rotation of the motor with a one-second delay.

Parameter	Setting
15.22 DO1 configuration	Digital output
15.23 DO1 source	Reverse
15.24 DO1 ON delay	1 s
15.25 DO1 OFF delay	1 s

#### Parameter setting example for frequency output

This example shows how to make digital output DO1 of the extension module indicate the motor speed 0... 1500 rpm with a frequency range of 0...10000 Hz.

Parameter	Setting
15.22 DO1 configuration	Frequency output
15.33 Freq out 1 source	01.01
15.34 Freq out 1 src min	0
15.35 Freq out 1 src max	1500.00
15.36 Freq out 1 at src min	1000 Hz
15.37 Freq out 1 at src max	10000 Hz

## ■ Diagnostics

### Faults and warning messages

Warning A7AB Extension I/O configuration failure.

### LEDs

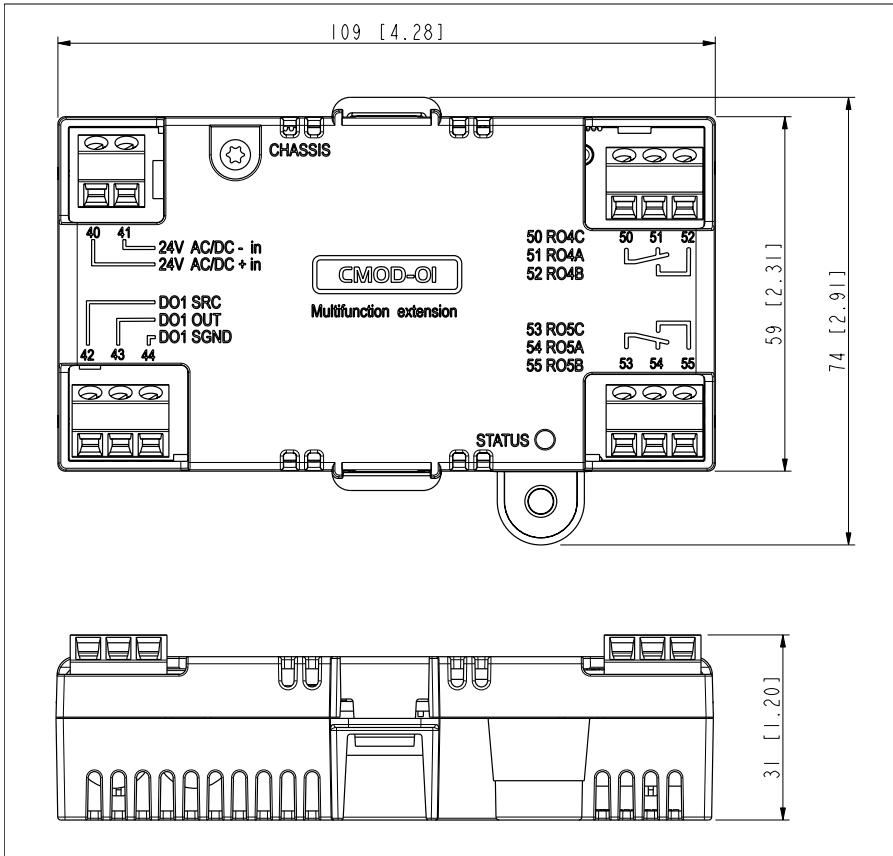
The extension module has one diagnostic LED.

Color	Description
Green	The extension module is powered up.

## ■ Technical data

### Dimension drawing:

The dimensions are in millimeters and [inches].

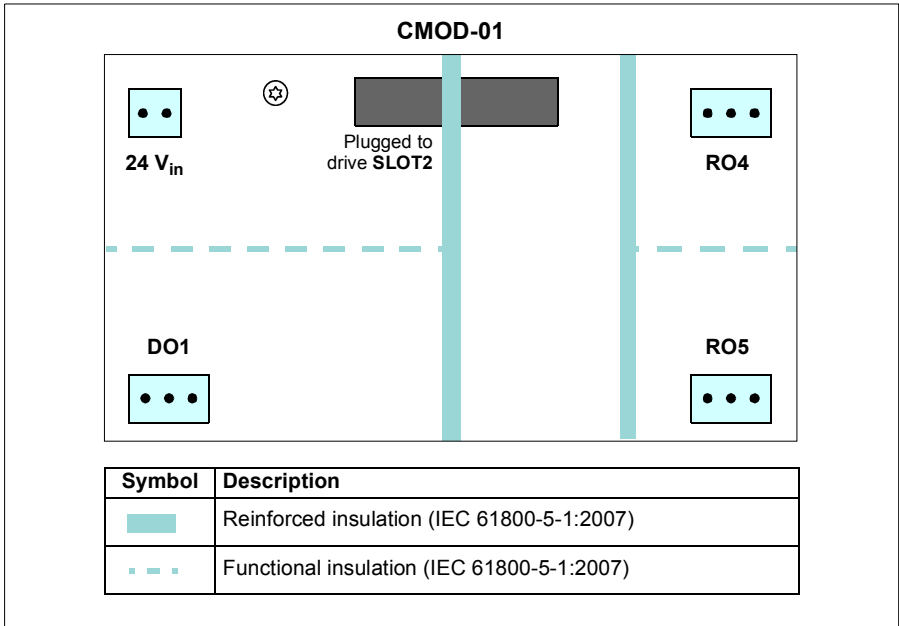


**Installation:** Into an option slot on the drive control board

**Degree of protection:** IP20

**Ambient conditions:** See the drive technical data.

**Package:** Cardboard

**Isolation areas:****Relay outputs (50...52, 53...55):**

- Wire size max. 1.5 mm<sup>2</sup>
- Minimum contact rating: 12 V / 10 mA
- Maximum contact rating: 250 V AC / 30 V DC / 2 A
- Maximum breaking capacity: 1500 VA6

**Transistor output (42...44):**

- Wire size max. 1.5 mm<sup>2</sup>
- Type: Transistor output PNP
- Maximum load: 4 kohm
- Maximum switching voltage: 30 V DC
- Maximum switching current: 100 mA / 30 V DC, short-circuit protected
- Frequency: 10 Hz ... 16 kHz
- Resolution: 1 Hz
- Inaccuracy: 0.2%

**External power supply (40...41):**

- Wire size max. 1.5 mm<sup>2</sup>
- 24 V AC / V DC ±10% (GND, user potential)
- Maximum current consumption: 25 W, 1.04 A at 24 V DC

## **CMOD-02 multifunction extension module (external 24 V AC/DC and isolated PTC interface)**

### ■ **Safety instructions**



**WARNING!** Obey the safety instructions for the drive. If you ignore the safety instructions, injury or death can occur.

---

### ■ **Hardware description**

#### **Product overview**

The CMOD-02 multifunction extension module (external 24 V AC/DC and isolated PTC interface) has a motor thermistor connection for supervising the motor temperature and one relay output, which indicates the thermistor status. To trip the drive, the user must connect this overtemperature indication back to the drive, for example, to its Safe torque off input.

In addition, the extension module has an external power supply interface, which can be used to power up the drive control board in case the drive power supply fails. If you do not need the back-up power supply, you do not have to connect it because the module is powered from the drive control board by default.

There is reinforced insulation between the motor thermistor connection, the relay output and the drive control board interface. Thus, you can connect a motor thermistor to the drive through the extension module.

**Note:** In frames R6...R9, you do not need a CMOD-02 module to use external 24 V AC/DC supply. The external supply is connected directly to terminals 40 and 41 on the control board.

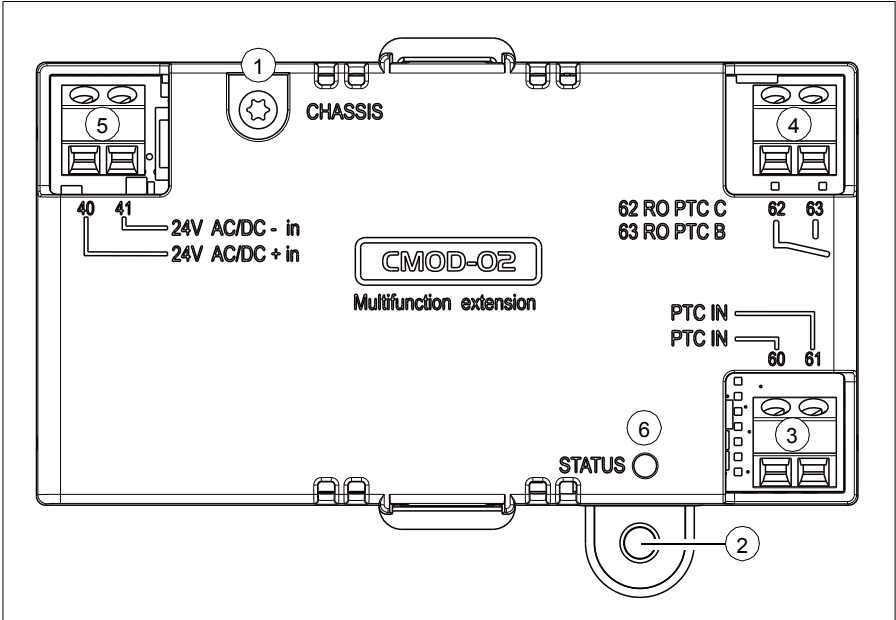


**WARNING!** Do not connect the +24 V AC cable to the control board ground when the control board is powered using an external 24 V AC supply.

---



## Layout



Item	Description	Additional information
1	Grounding screw	Page <a href="#">265</a>
2	Hole for mounting screw	Page <a href="#">265</a>
3	2-pin terminal block for motor thermistor connection	Page <a href="#">266</a>
4	2-pin terminal block for relay output	Page <a href="#">266</a>
5	2-pin terminal block for external power supply	Page <a href="#">266</a>
6	Diagnostic LED	Page <a href="#">269</a>

## ■ Mechanical installation

### Necessary tools and instructions

- Screwdriver and a set of suitable bits

**Unpacking and checking the delivery**

1. Open the option package.
2. Make sure that the package contains:
  - CMOD-02 multifunction extension module
  - mounting screw
3. Make sure that there are no signs of damage.

**Installing the module**

See chapter [Installing option modules](#) on page 132.

**■ Electrical installation****Warnings**

**WARNING!** Obey the instructions in chapter [Safety instructions](#) on page 13. If you ignore them, injury or death, or damage to the equipment can occur. If you are not a qualified electrician, do not do electrical work.

**Make sure that the drive is disconnected from the input power during installation. If the drive is already connected to the input power, wait for 5 minutes after disconnecting the input power.**

---

**Necessary tools and instructions**

- Screwdriver and a set of suitable bits
- Cabling tools

**Terminal designations**

For more detailed information on the connectors, see section [Technical data](#) on page 270.

Motor thermistor connection

Marking		Description
60	PTC IN	PTC connection
61	PTC IN	Ground (earth) potential

Relay output

Marking		Description
62	RO PTC C	Common, C
63	RO PTC B	Normally open, NO

---

### External power supply

The external power supply is needed only if you want to connect an external back-up power supply for the drive control board.

**Note:** Frames R1...R5 need CMOD-01 for connecting external power supply, frames R6...R9 have corresponding terminals 40 and 41 on the control board.

Marking	Description
40	24V AC/DC + in
41	24V AC/DC - in

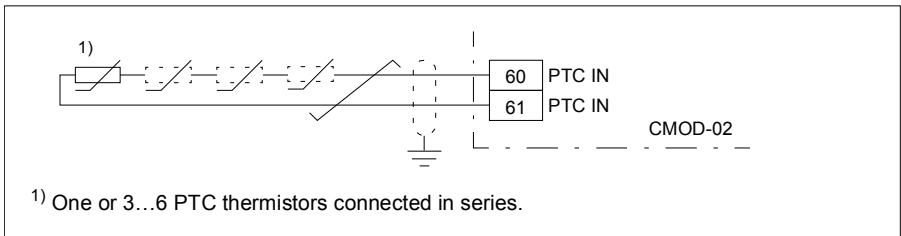
### **General cabling instructions**

Obey the instructions given in chapter [Planning the electrical installation](#) on page 65.

### **Wiring**

Connect the external control cables to the applicable module terminals. Ground the outer shield of the cables 360 degrees under a grounding clamp on the grounding shelf of the control cables

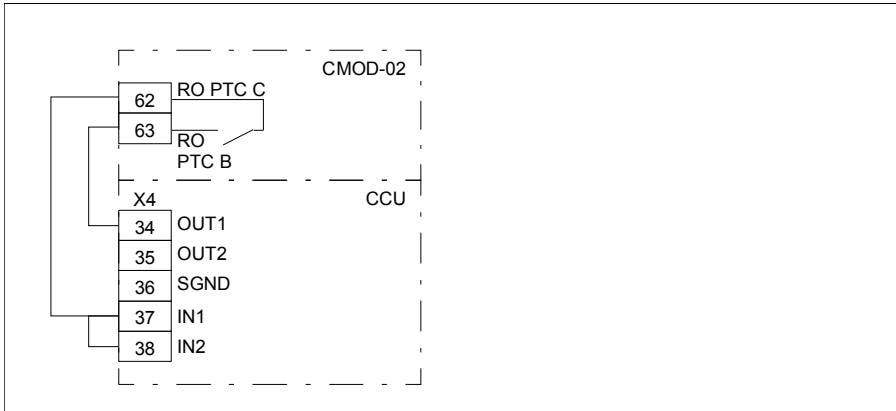
### Motor thermistor connection example



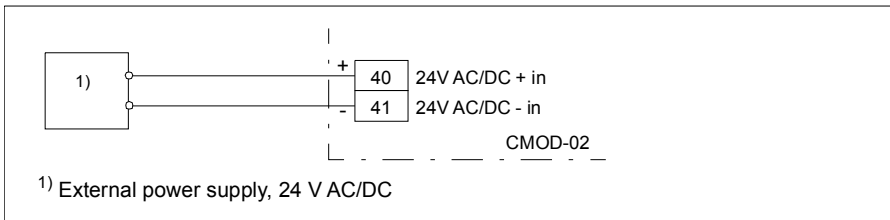
The PTC input is reinforced/double insulated. If the motor part of the PTC sensor and wiring are reinforced/double insulated, voltages on the PTC wiring are within SELV limits.

If the motor PTC circuit is not reinforced/double insulated (ie, it is basic insulated), it is mandatory to use reinforced/double insulated wiring between the motor PTC and CMOD-02 PTC terminal.

Relay output connection example



Power supply connection example



**WARNING!** Do not connect the +24 V AC cable to the control board ground when the control board is powered using an external 24 V AC supply.

■ **Start-up**

**Setting the parameters**

1. Power up the drive.
  2. If no warning is shown,
    - make sure that the value of both parameter 15.02 Detected extension module and parameter 15.01 Extension module type is CMOD-02.
- If warning A7AB Extension I/O configuration failure is shown,
- make sure that the value of parameter 15.02 Detected extension module is CMOD-02.
  - set parameter 15.01 Extension module type to CMOD-02.

You can now see the parameters of the extension module in parameter group 15 I/O extension module.

## ■ Diagnostics

### Faults and warning messages

Warning A7AB Extension I/O configuration failure.

### LEDs

The extension module has one diagnostic LED.

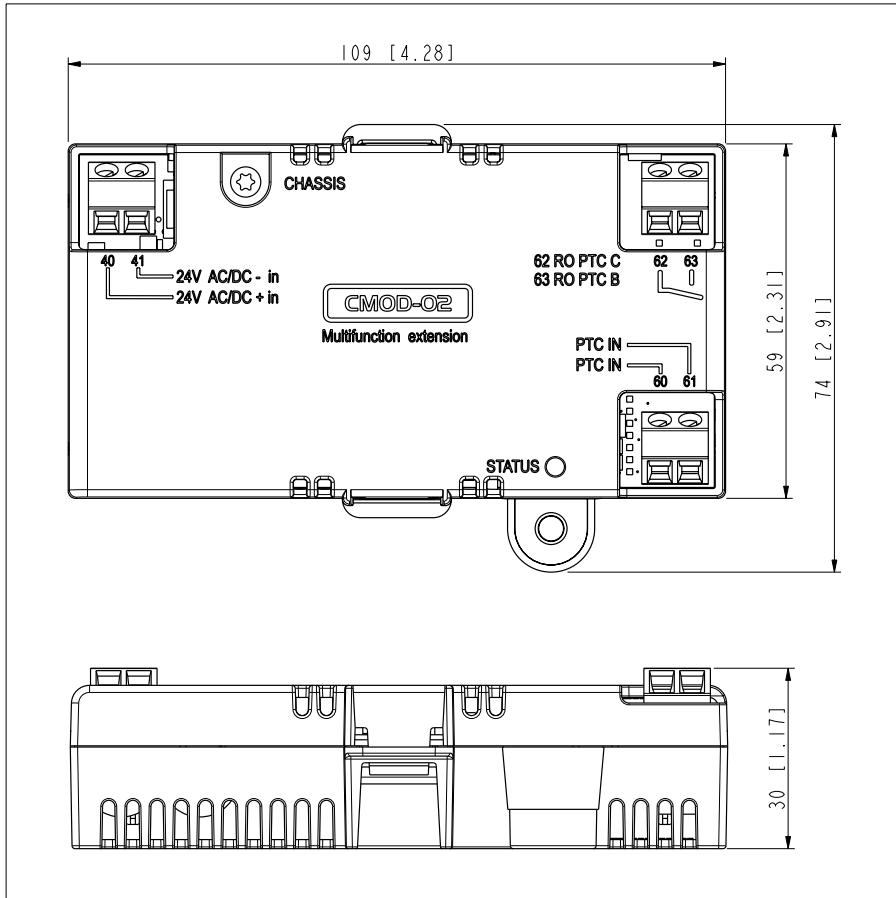
Color	Description
Green	The extension module is powered up.

---

## ■ Technical data

### Dimension drawing:

The dimensions are in millimeters and [inches].

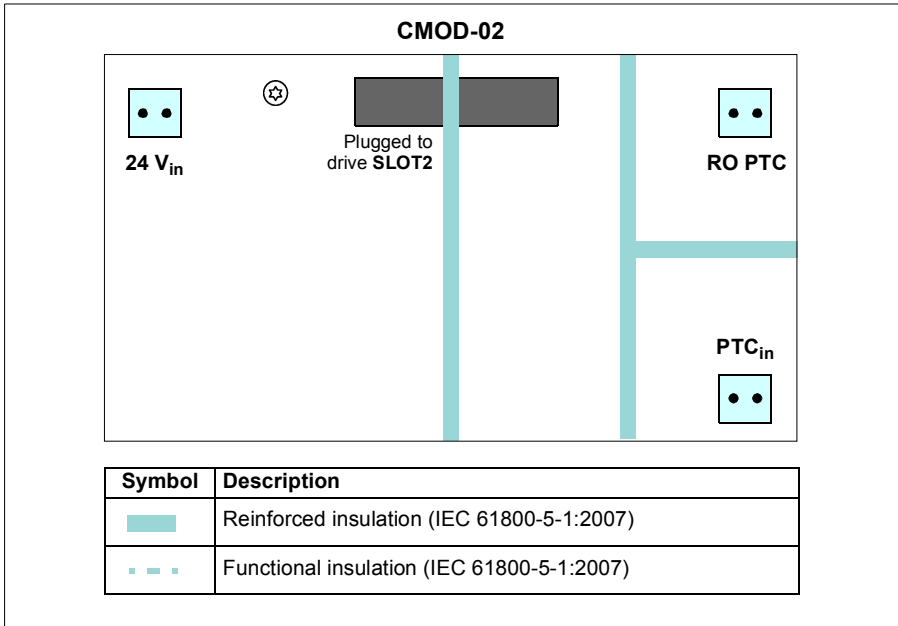


**Installation:** Into an option slot on the drive control board

**Degree of protection:** IP20

**Ambient conditions:** See the drive technical data.

**Package:** Cardboard

**Isolation areas:****Motor thermistor connection (60...61):**

- Wire size max. 1.5 mm<sup>2</sup>
- Supported standards: DIN 44081 and DIN 44082
- Number of PTC thermistor relays: 1 or 3...6 in series
- Triggering threshold: 3.6 kohm ±10%
- Recovery threshold: 1.6 kohm ±10%
- PTC terminal voltage: ≤ 5.0 V
- PTC terminal current: < 1 mA
- Short-circuit detection: < 50 ohm ±10%

**Relay output (62...63):**

- Wire size max. 1.5 mm<sup>2</sup>
- Maximum contact rating: 250 V AC / 30 V DC / 5 A
- Maximum breaking capacity: 1000 VA

**External power supply (40...41):**

- Wire size max. 1.5 mm<sup>2</sup>
- 24 V AC / V DC ±10% (GND, user potential)
- Maximum current consumption: 25 W, 1.04 A at 24 V DC





# 14

## Common mode and du/dt filters

---

### Content of this chapter

This chapter describes how to select external filters for the drive.

### Common mode filters

#### ■ When is a common mode filter needed?

See section [Checking the compatibility of the motor and drive](#), page 60.

Common mode filter kits are available from ABB, see the table on page 274. A kit includes three wound cores. For installation instructions of the cores, see the instruction included in the core package.

### du/dt filters

#### ■ When is a du/dt filter needed?

See section [Checking the compatibility of the motor and drive](#), page 60.

See the table of du/dt filters on page 274.

---

## Common mode filter types

For du/dt filters for smaller types, contact your local representative.

Type ACS580 -01-	Common mode filters ABB drives
<b>3-phase <math>U_N = 400\text{ V}</math> (380...415 V)</b>	
145A-4	3AXD50000017269
169A-4	3AXD50000017270
206A-4	3AXD50000017270
246A-4	3AXD50000018001
293A-4	3AXD50000018001
363A-4	3AXD50000017940
430A-4	3AXD50000017940

3AXD00000586715.xls J

## du/dt filter types

Type ACS580 -01-	du/dt filters ABB drives
<b>3-phase <math>U_N = 400\text{ V}</math> (380...415 V)</b>	
02A7-4	NOCH0016-6x
03A4-4	NOCH0016-6x
04A1-4	NOCH0016-6x
05A7-4	NOCH0016-6x
07A3-4	NOCH0016-6x
09A5-4	NOCH0016-6x
12A7-4	NOCH0016-6x
018A-4	NOCH0016-6x or NOCH0030-6x
026A-4	NOCH0030-6x
033A-4	NOCH0070-6x
039A-4	NOCH0070-6x
046A-4	NOCH0070-6x
062A-4	NOCH0070-6x
073A-4	NOCH0070-6x or NOCH0120-6x
088A-4	NOCH0120-6x
106A-4	NOCH0120-6x
145A-4	FOCH0260-70
169A-4	FOCH0260-70
206A-4	FOCH0260-70
246A-4	FOCH0260-70
293A-4	FOCH0260-70
363A-4	FOCH0320-50
430A-4	FOCH0320-50

3AXD00000586715.xls J

■ **Description, installation and technical data of the FOCH filters**

See *FOCH du/dt filters hardware manual* (3AFE68577519 [English]).

■ **Description, installation and technical data of the NOCH filters**

See *AOCH and NOCH du/dt filters hardware manual* (3AFE58933368 [English]).



## Further information

### Product and service inquiries

Address any inquiries about the product to your local ABB representative, quoting the type designation and serial number of the unit in question. A listing of ABB sales, support and service contacts can be found by navigating to [www.abb.com/searchchannels](http://www.abb.com/searchchannels).

### Product training

For information on ABB product training, navigate to [new.abb.com/service/training](http://new.abb.com/service/training).

### Providing feedback on ABB Drives manuals

Your comments on our manuals are welcome. Navigate to [new.abb.com/drives/manuals-feedback-form](http://new.abb.com/drives/manuals-feedback-form).

### Document library on the Internet

You can find manuals and other product documents in PDF format on the Internet at [www.abb.com/drives/documents](http://www.abb.com/drives/documents).

# Contact us

[www.abb.com/drives](http://www.abb.com/drives)

[www.abb.com/drivespartners](http://www.abb.com/drivespartners)

3AXD50000044794 Rev A (EN) 2017-05-31



3AXD50000044794A

Power and productivity  
for a better world™

