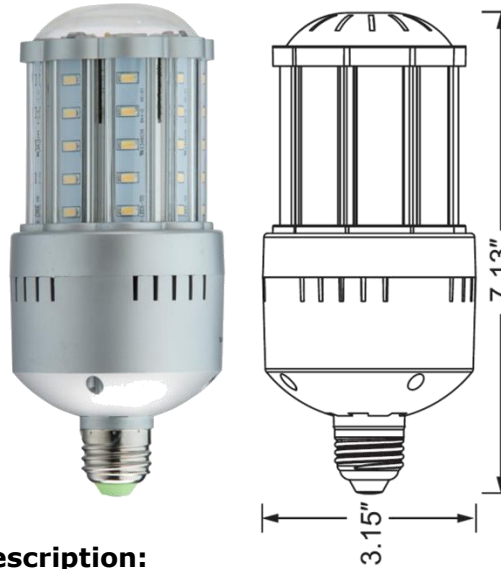


# LED-8029E Post Top / Bollard / Wall Pack

SKU (USA)	SKU (Canada)	Description
LED-8029E30	LED-8029E30C	24W 3000K
LED-8029E42	LED-8029E42C	24W 4200K
LED-8029E57	LED-8029E57C	24W 5700K

Technical Specifications			
Models US/CAN	LED-8029E30/ LED-8029E30C	LED-8029E42/ LED-8029E42C	LED-8029E57/ LED-8029E57C
CCT	3000K	4200K	5700K
Power Consumption	24 watts		
Replaces	100w MH/HPS		
Mounting	E26		
Voltage	120-277VAC (USA) 120-347VAC (CANADA)		
LED Type	50 Samsung #5630 SMD		
Beam Angle	360		
Dimmable	No		
Operating Temp	-40°F - +122°F		
Rated R70 Life	Up to 50,000 Hrs.		
Warranty	5 Year Limited*		
<b>LM79 Specifications</b>	<b>Yes</b>	<b>Yes</b>	<b>Yes</b>
Power (W)	24.1	23.2	25.1
CCT	3287	4340	5704
Light Output	2320	2319	2366.4
Efficacy	96.3	99.99	94.28
THD @ 277V	17.94%	19.97%	15.46%
PF @ 277V	0.953	0.948	0.959
CRI:	84.5	0.844	85.6
R9	15	16	34
Duv	-0.0017	-0.007	0.0028
Packaging	9 / Master Carton		
Unit	4.7" x 4.7" x 8.86" 1.14 lbs.		
Master	14.8" x 14.8" x 9.5" 11.4 lbs.		



**24W**  
LED for HID

Replaces  
**100W**  
MH / HPS

UL LISTED

lighting design lab

### Description:

24W LED retrofit lamp to replace MH and HPS lamps up to 100w, E26 Medium base. Integrated insect/dust screen. UL damp rated approved for fully enclosed fixtures.

### Features:

- Replaces 100w HID Lamps
- 120-277V or 120-347V (Canada)
- UL approved for fully enclosed fixtures and damp environments (USA & Can)
- Active Cooling Fan >70,000 hr. rated life
- 50,000 rated life
- 5 year limited warranty (see website for details)

### Applications:



Wall Pack

Bollard

Post Top

### Installation Notes:

- When installing LED-8000 series retrofit lamps within HID fixtures, **ballast must be bypassed** when present.
- 8000 series retrofits are UL damp rated, sealing the fixtures after installation will deliver best results.
- **Installing surge/lightning protectors is highly recommended** and helps to eliminate premature driver failure caused by surges and other power fluctuations.

Note: All specification information falls within a ± 2% range and is subject to change without notice.

NOTE: Light Efficient Design is providing this information to the general public. Please note that all products contained herein are trademarked, copyrighted, and/or have patents pending. Any use of these designs is strictly prohibited without prior written consent. Light Efficient Design protects its proprietary information vigorously in the courts of the United States of America.