

LED-8089M 80W LED for HID Retrofit for Shoebox/Wallpack



Models

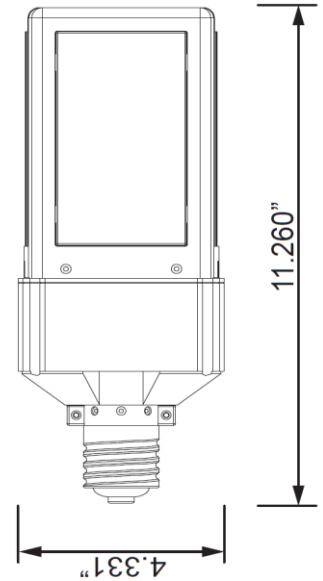
LED-8089MXX, 120-277VAC, ULus, 4000K or 5000K CCT, E39
 LED-8089MXXC, 120-347VAC, cUL, 4000K or 5000K CCT, E39

Features

- > 80W LED Replaces 250W MH or HPS HID Lamps
- > Rotatable base enables user to accurately direct output to target
- > Designed for Horizontal installations
- > UL approved for damp environments and enclosed fixtures
- > Advanced active cooling: Active cooling and dynamic temperature control
- > 50,000 hour rated LED life (supported by LM80 and ISTMT reports (see website))
- > 5 Year Limited Warranty - see website for details
- > Rated for enclosed fixture



Type V



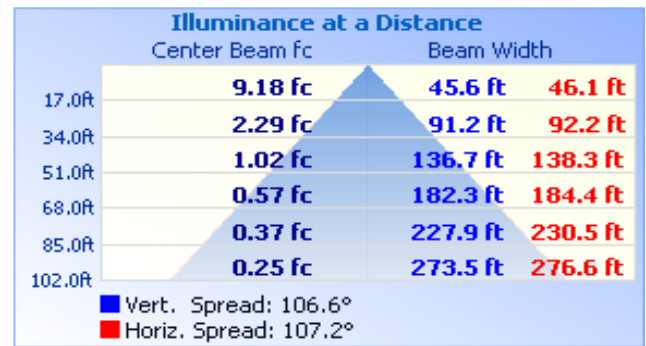
Technical Specifications

Models US/CAN	LED-8089M30	LED-8089M40	LED-8089M50	LED-8089M40C	LED-8089M50C
	USA			Canada	
CCT	3000K	4000K	5000K	4000K	5000K
Power Consumption	80 watts				
Replaces	250 MH/HPS				
Mounting	E39				
Voltage	120-277VAC		120-347VAC		
LED Type	550 CREE				
Beam Angle	Type V				
Dimmable	No				
Operating Temp	-40°F - +122°F				
Rated R70 Life	Up to 50,000 Hrs.				
Warranty	5 Year Limited*				

DLC	MODEL	DLC CODE
DLC 0	LED-8089M40C	PMM647V8
	LED-8089M50C	PKSQB7V8
	LED-8089M40	PQ2S8Z8J
	LED-8089M50	PHE55B3Q

Approved Categories:
 Replacement Lamps for Outdoor Pole/Arm-mounted
 Area and Roadway Luminaires (Type B)

Lux Distance Curve



Installation Notes:

- Ballast must be bypassed
- Installing surge/lightning protectors is highly recommended
- Removing the reflector is recommended

LM79 Specifications	Yes	Yes	Yes	Yes	Yes
Power (W)	81.19	80.59	80.23	80.59	80.23
CCT	3137	3988	5482	3988	5482
Light Output	7122	6910	7403	6910	7403
Efficacy	87.72	85.75	92.28	85.75	92.28
THD @ 277V	13%	19%	19%	19%	19%
PF @ 277V	0.98	0.917	0.854	0.917	0.854
CRI:	82.9	72.5	69.5	72.5	69.5
R9	15	0	0	0	0
Duv	-0.001	0.002	0.006	0.002	0.006

LED Power Consumption (Watts)	HID Power Consumption (Watts)	HID Ballast Power Consumption (Watts)	Total Savings (Watts)	Annual Energy Savings (14 hrs/day)	Lifetime Energy Savings (over 50,000 hrs)
80	250	50	220	\$124	\$1,210.00

Packaging	9 / Master Carton
Unit	6.6"x 6.6"x 12.9" 2.9lbs.
Master	20.7"x 18.5" x 13.8" 25.5 lbs.

Mounting Orientation			Minimum Fixture Size Requirements (inches)	
Base Up	Base Down	Horiz	Length	Width
			13.26	6.33
Approved	Approved	Approved	Height	6.33
			Cu. Inches	531.3



188 S. Northwest Highway • Cary, IL 60013
 (847) 380-3540 • FAX: (847) 380-3542
 www.led-llc.com

